

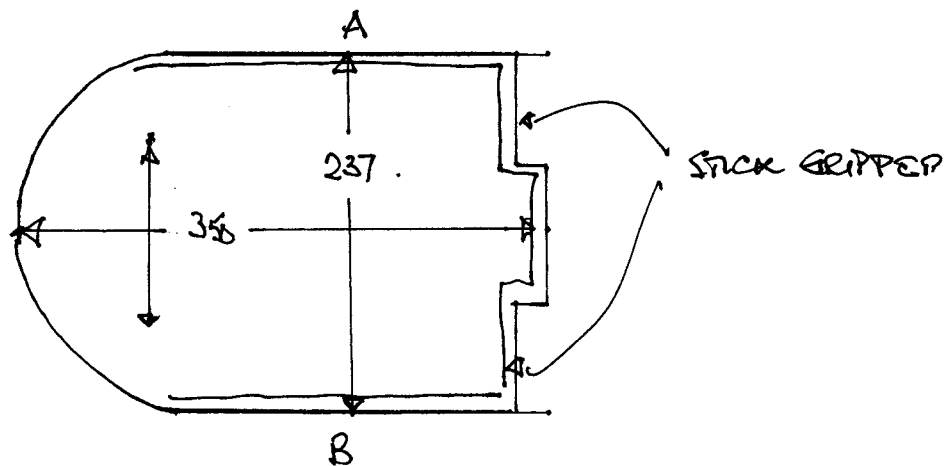
R16417
 CRUSE/BARNARD
 34 CLEVELAND RD

* FITTERS.

CAREFUL WITH THE PAINTED SKIRTINGS? KT4.

1 1.

↑
 DIRECTION OF STRIPE.
 ↓



WOOD ACCESS COVERS. ALONG WALLS A & B.
 STICK GRIPPER TO SOLID

MAINLINE	250 x 400 = 10m ²
1/LAY	9m ² .
GR.	7no.
FIRST SET	1no.