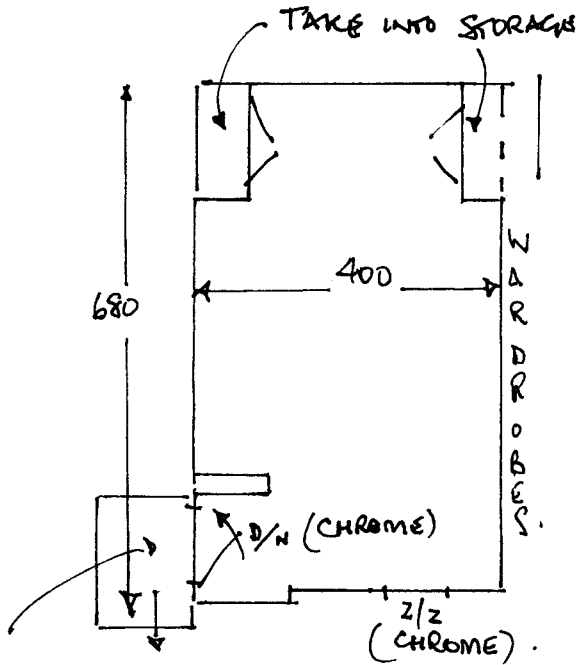


R16387  
 BARNES  
 7 GRANGE PK PLACE  
 SW 20.

TOP FLOOR BEDROOM.

1 1



700 x 400. = 28m<sup>2</sup>.  
 v/LAY 28m<sup>2</sup>  
 GE' 14NO  
 D/W 1NO.  
 Z/Z 1NO.

FIT CARPET ON  
 SITE TO LANDING.

UPLIFT EXISTING AND USE EXISTING UNDERLAY.

POSITION D/W/NAP TO ALLOW 4m TO FIT UP TO FACIA OF  
 WARDROBE UNITS.