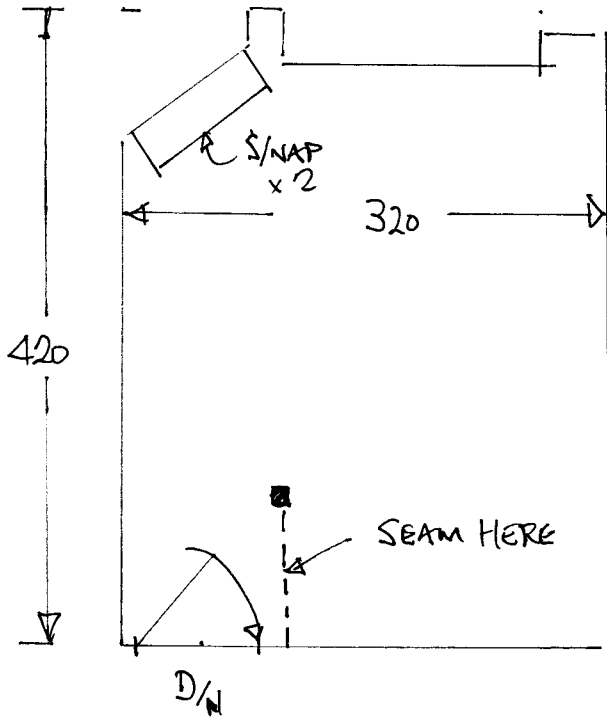


UPLIFT & DISPOSE
 BED (DBLE) & GLASS CHESTS.
 BRASS BARS.

TDP FLOOR BEDROOM.

BOOTLE
 59 PETERSHAM RD
 RICHMOND. TW10.



*
FITTERS.

TAKE EXTRA CARE WITH
 GLASS FRONT CHESTS.

$$430 \times 500 = 16.50m^2$$

U/WAY $13m^2$

D/N 1NO

S/N 2NO,