

UPLIFT & DISPOSE

REUSE GRIPPER.

CUT AROUND UNIT BASES.

R15648

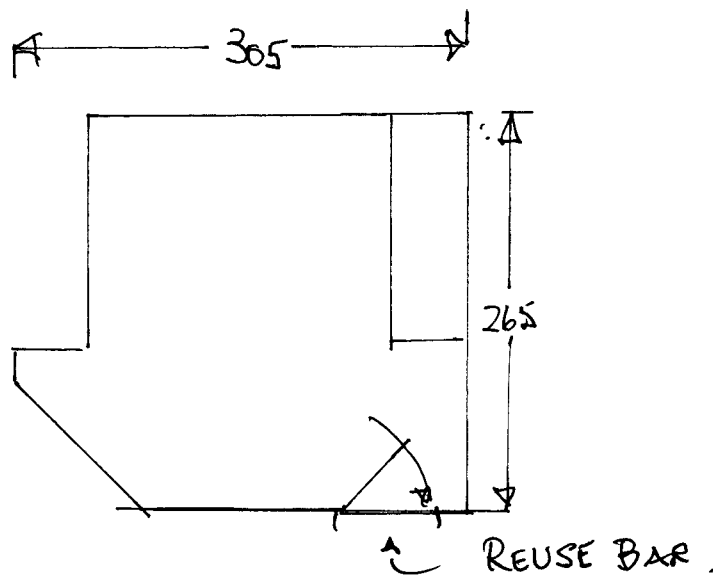
JILL BRICE

22 VINEYARD HILL RD

SW19.

1 1.

STUDY.



$$275 \times 400 = 11.00m^2$$

$$U/LM = 8m^2$$

$$GRIPPER = 4m^2$$

*. TOP FLOOR BEDROOM - COMPLETE
SEAMING NOT FINISHED DURING
PREVIOUS FIT.