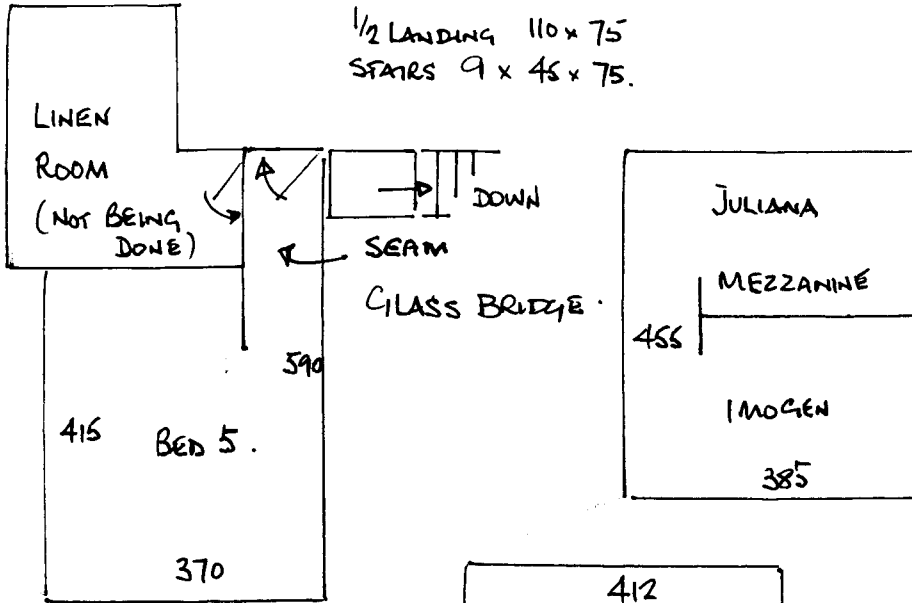


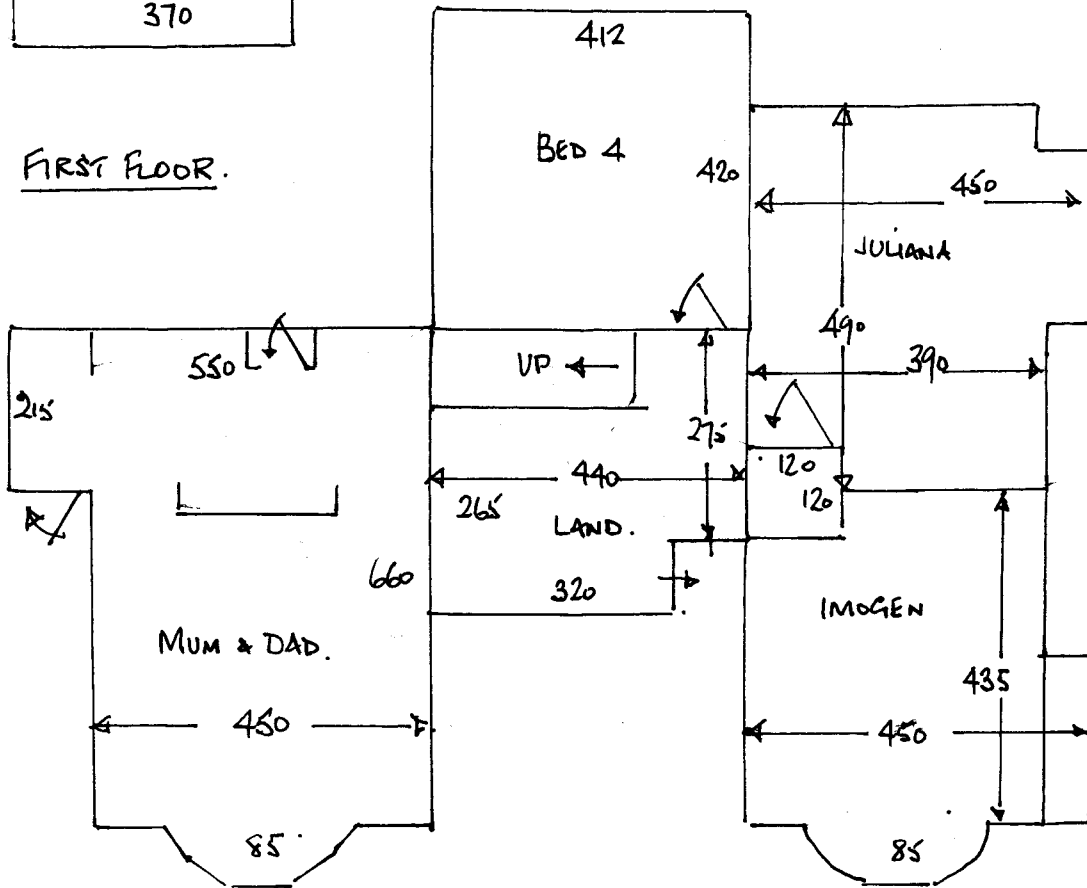
R15754  
 CAMBRIA PROJECTS  
 'PINWOOD'

COOMBE END, KT 2.

SECOND FLOOR.



FIRST FLOOR.



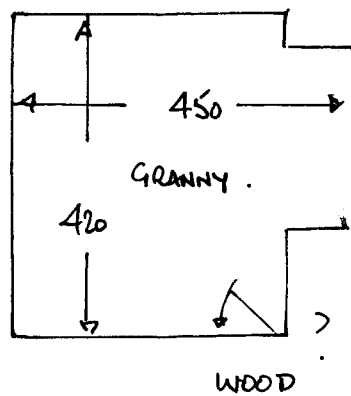
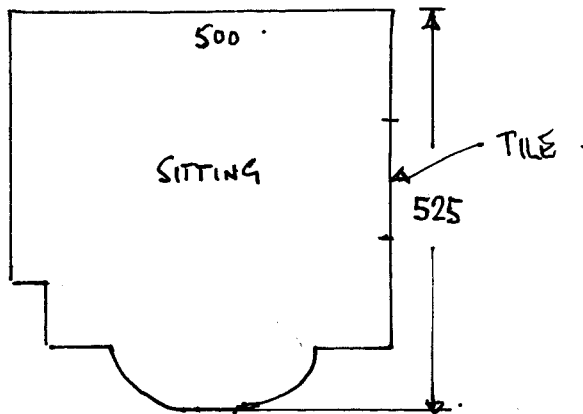
WOODEN BATTENS PROVIDED TO NAIL GRIPPER TO.  
 STICK WHERE THERE IS NO BATTEN.

R15754  
CAMBRIA  
'PINEXWOOD'  
COOMBE END. KT2

STICK GRIPPER  
UNDER FLOOR HEATING.

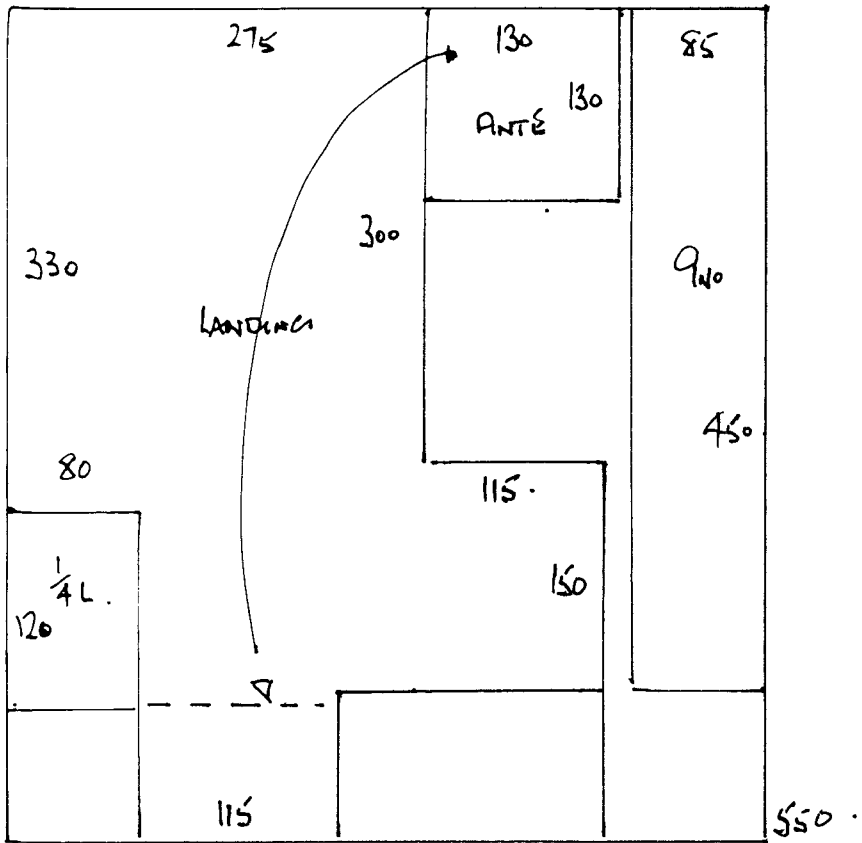
2 4

GROUND FLOOR.



SITTING - WESTEND SUPREME.

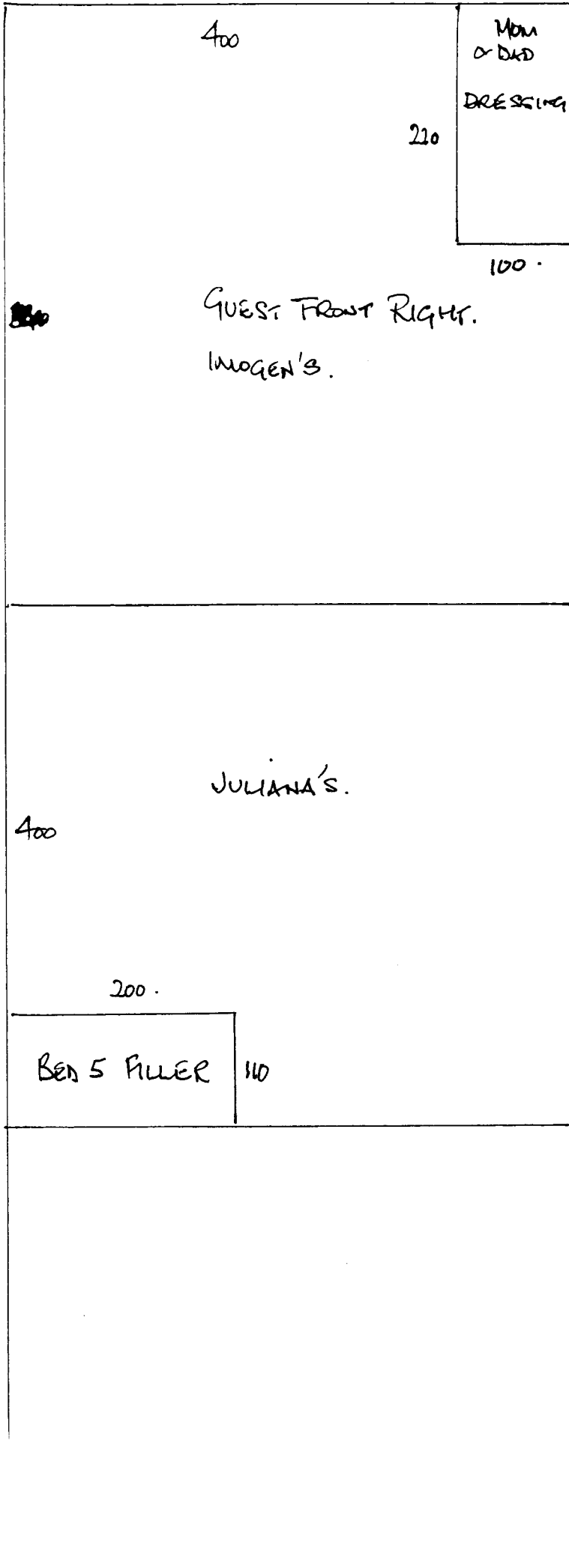
GRANNY - COBALT TWIST.



R15754.  
 CAMBRIA PROJECTS  
 'PINWOOD'  
 COOMBE END. KT2.

3 4

$$550 \times 500 = 27.50.$$



R15754  
 CAMBRIA PROJECTS  
 'PINWOOD'  
 COOMBE END. KT2

4 4

CUTS :-

- . 540 x 500 . IMOGEN GAR.
  - . 510 x " . JULIANA
  - . 7.55 x " . M/DAD
  - . 4.20 x " . BED 4
  - . 3.95 x " . MEZZ.
  - . 3.80 x " . BED 5
- 
- 30.00 x 5.00.