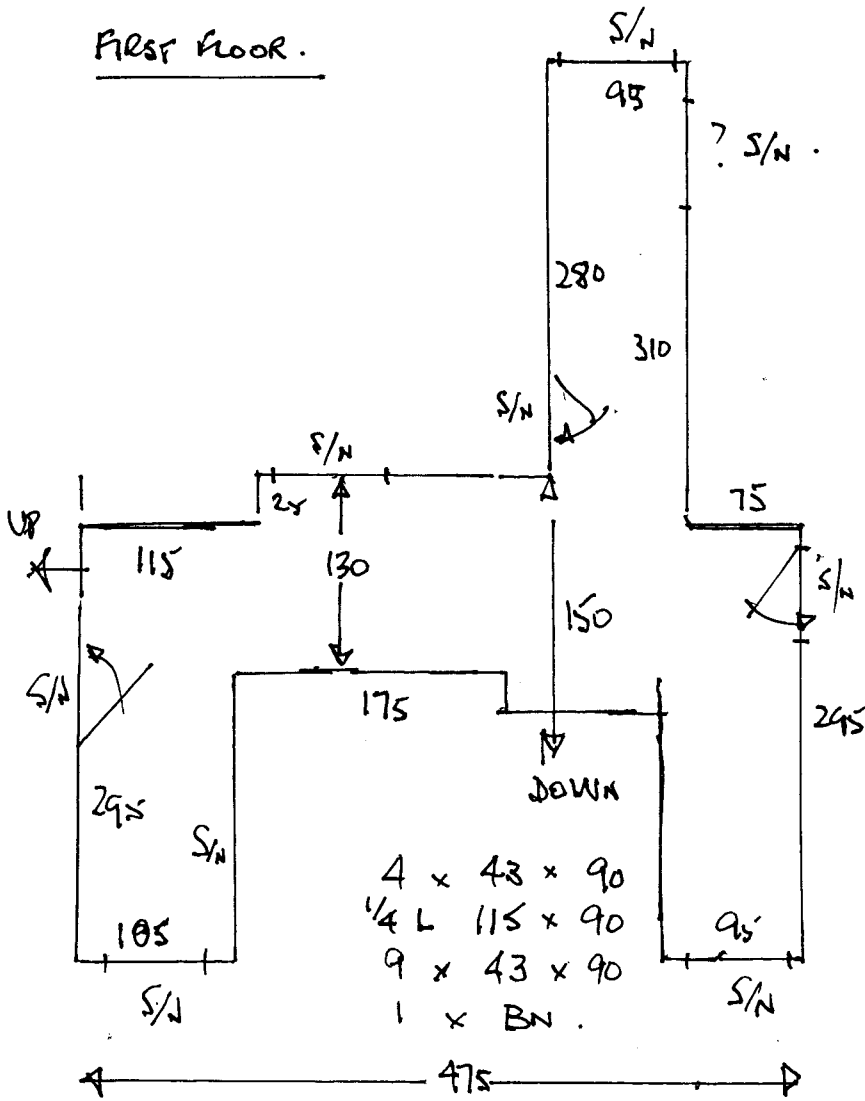


FIRST FLOOR.

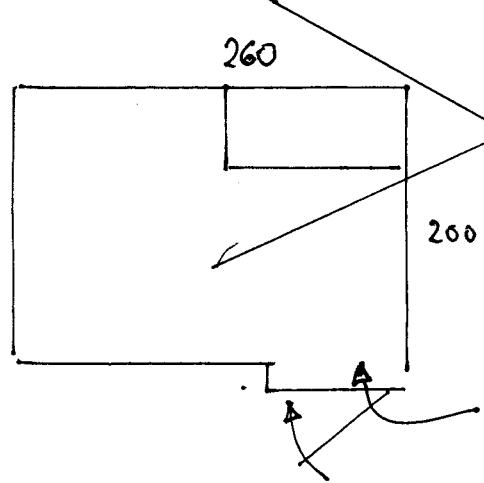


R16229 .
 CODE
 132 PEPYS RD
 SW20

1 2.

U/LAM 20m².
 S/N x 8.

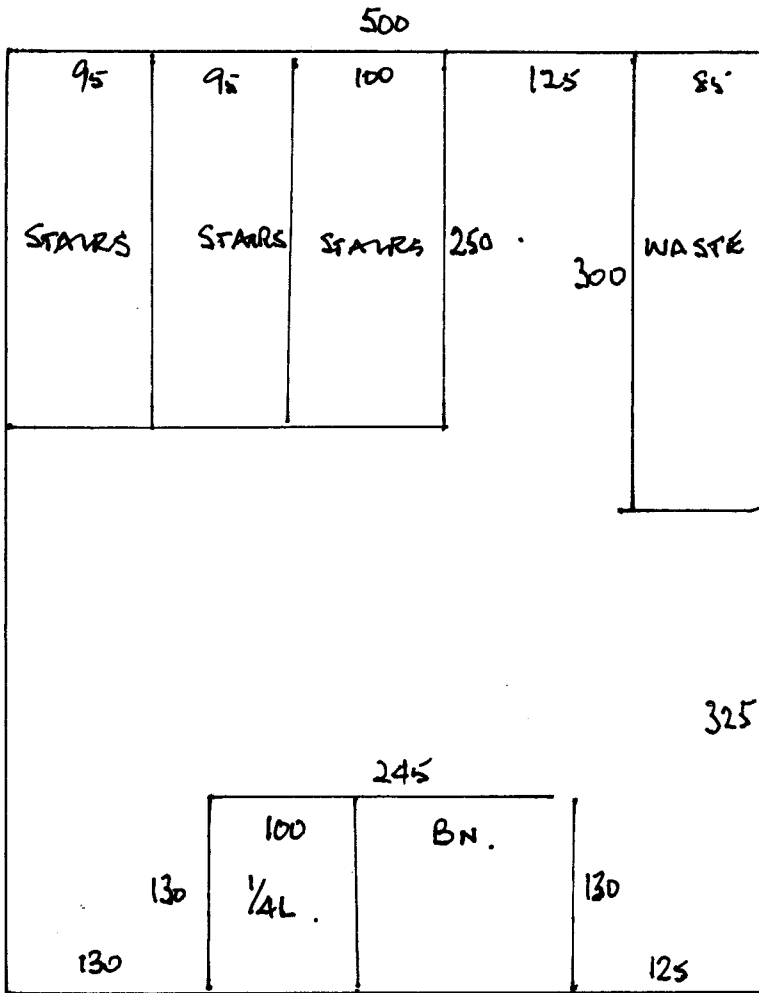
UTILITY



VINYL 210 x 300 = 6.3m²

LATEX.

STICK HERE TO SECURE JOINT TO EXISTING VINYL.



R16229
 COPE
 132 PEPYS RD
 SW 19.

0 2.

625

325