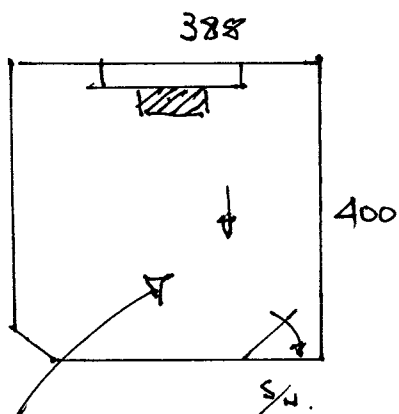
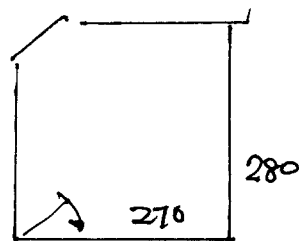


STANDARD
PRESTIGE BEDROOM 1.



R16312
COTTON
15 STANTON RD
SW20

1 1



WESTEND PRES 410 x 400

1/2 way 16m²
GR 1/2 no
All S/W 1/2 no.