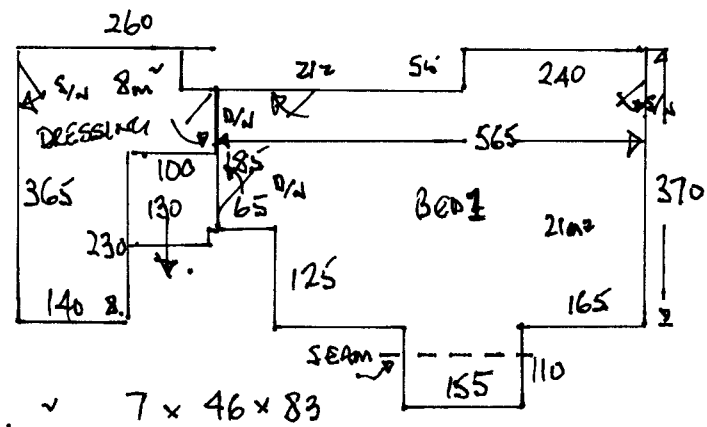


TOP FLOOR.

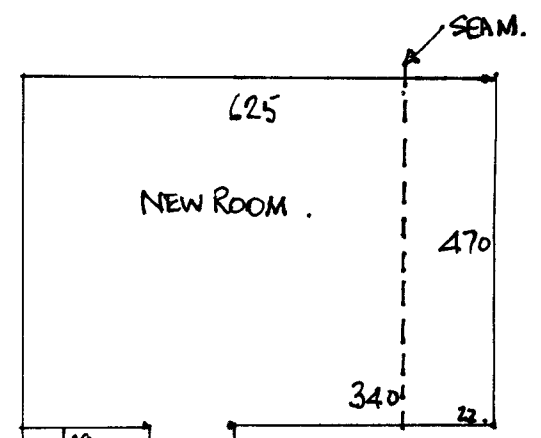


R16139
 DREWETT
 DUNADRY HOUSE
 BROOMWAY, WEYBRIDGE.

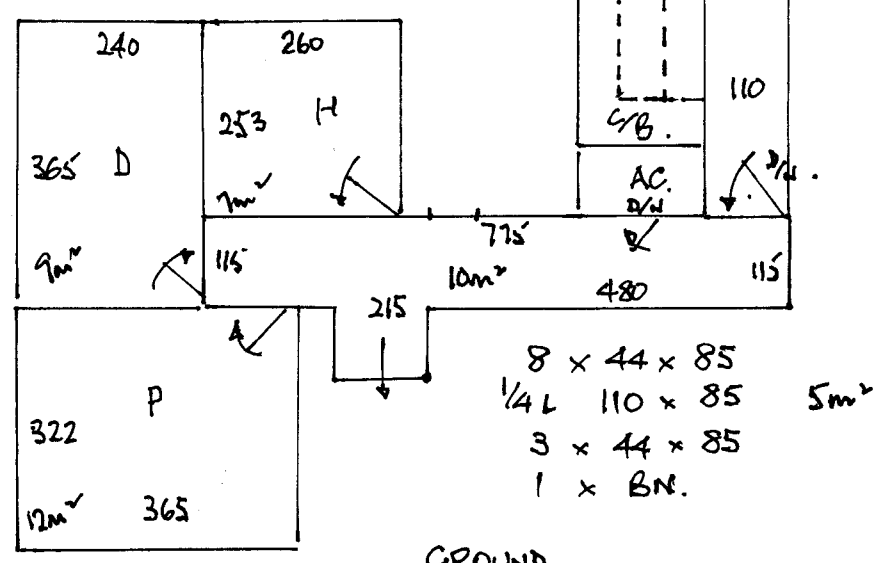
1 3.

- 6m² 7 x 46 x 83
- 1/2 L 110 x 150
- 5 x 46 x 63.
- 15.

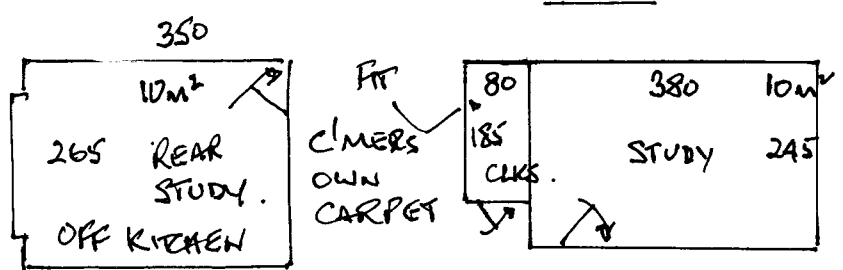
- V/LAM 120m².
- GRIP. 50.
- D/W 5
- S/W 2.
- 212 2.



FIRST FLOOR.

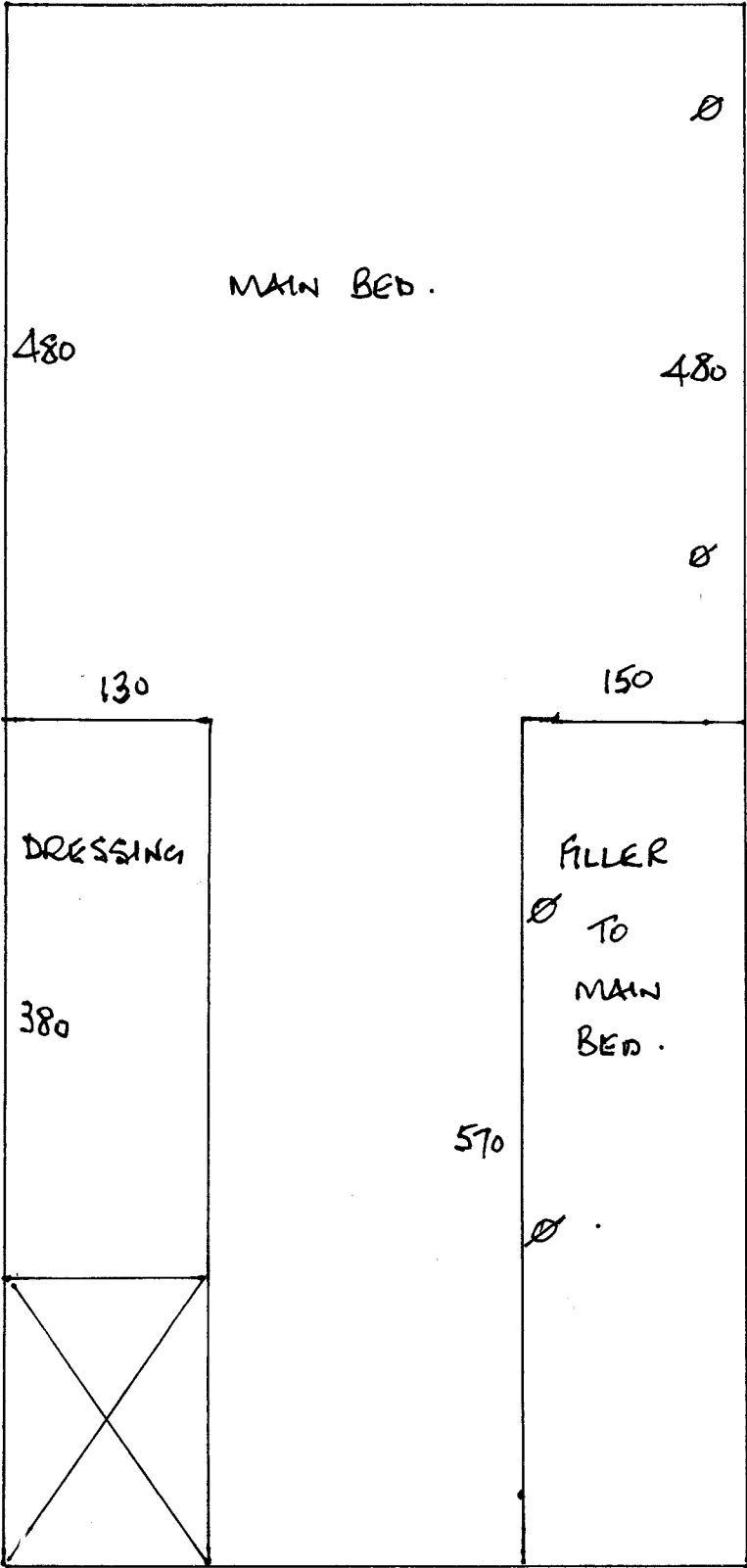


GROUND

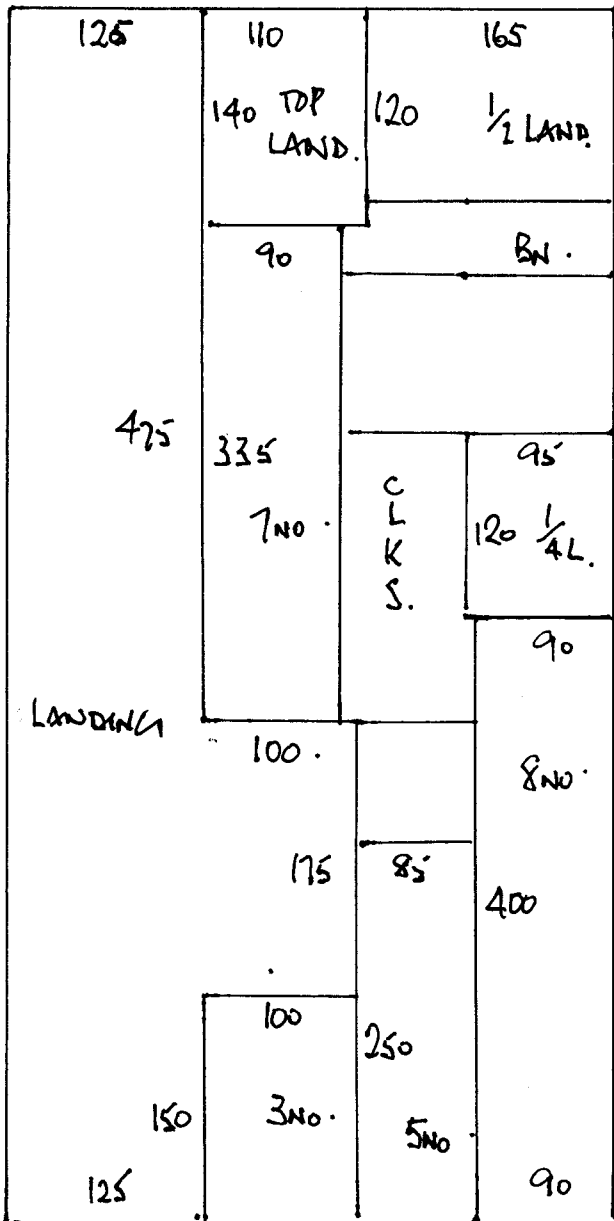


FAMILY.
 516 x 360.
 (NOT BEING DONE)

R16139
DREWETT
DUNADRY HSE
BROOMWAY, WEYBRIDGE
KT 13.
2 3.



60.50.



R16139
 DREWETT
 DUNADRY HSE
 BROOMWAY KT13.

3 3.

8.00 x 4.00.