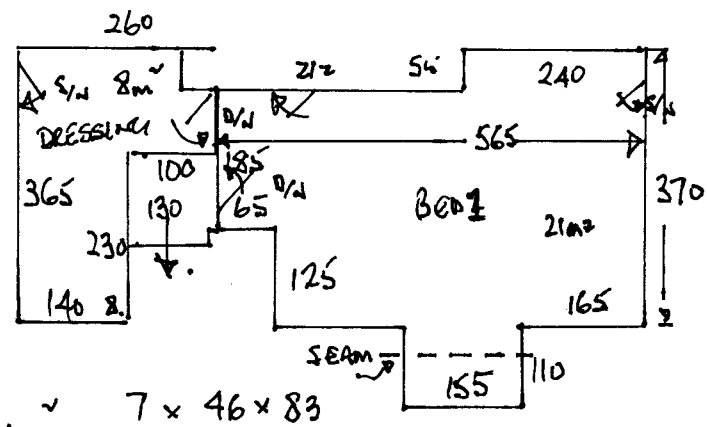


TOP FLOOR.

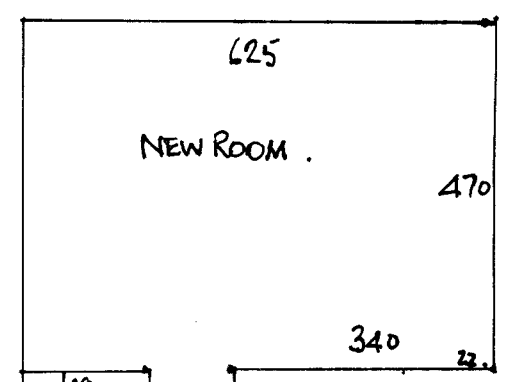


R16139
 DREWETT
 DUNADRY HOUSE
 BROOMWAY, WEYBRIDGE.

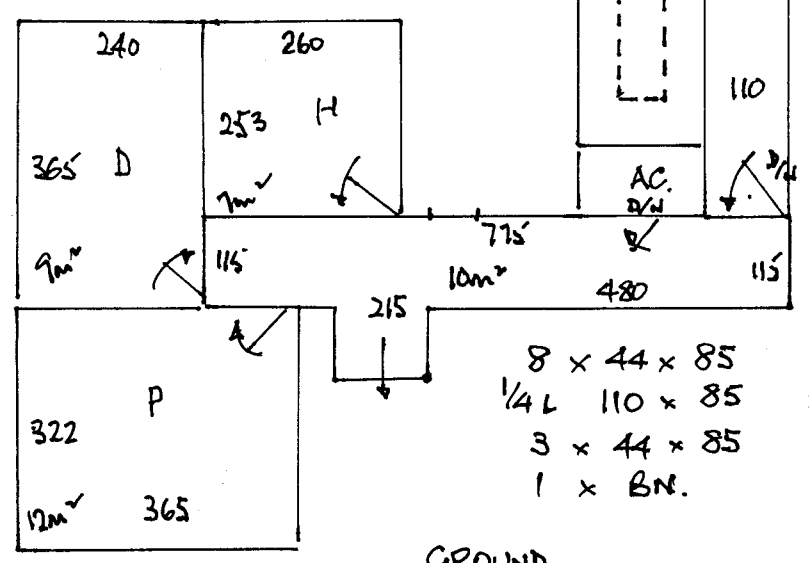
1 2.

- 6m² 7 x 46 x 83
- 1/4 L 110 x 150
- 5 x 46 x 63.
- 15.

- V/LAM 120m².
- GRIP. 50.
- D/W 5
- S/W 2.
- 2 1/2 2.

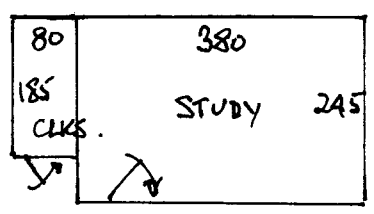


FIRST FLOOR.

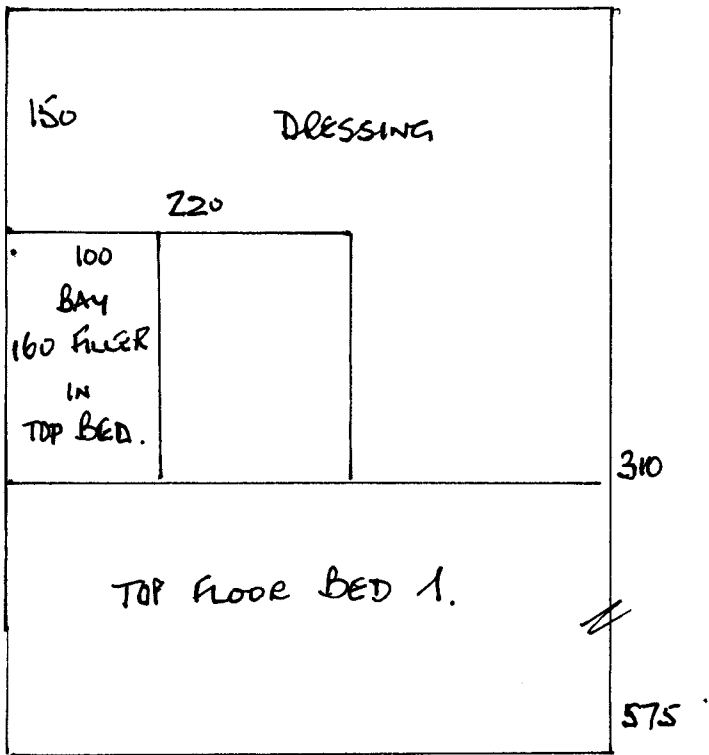


- 8 x 44 x 85
- 1/4 L 110 x 85
- 3 x 44 x 85
- 1 x B.N.
- 5m²

GROUND



FAMILY.
 516 x 360.



R16139
 DREWETT
 DUNADRY HOUSE
 Broom Way, KT13.

2 2

Fit Mon 14. DEC.

BEDS. H, P & D Fit Tues 20 DEC.