

R15536
 EUDEN
 83A MELBURY Cdns
 SW20.

2 2 .

CUTS:

730 x 500
 250 x "
 260 x "
 280 x "
 415 x "

$$19.35 \times 5.00 = 96.75m^2$$

* STICK 17mm ANGLE TO
EDGE OF TILES.

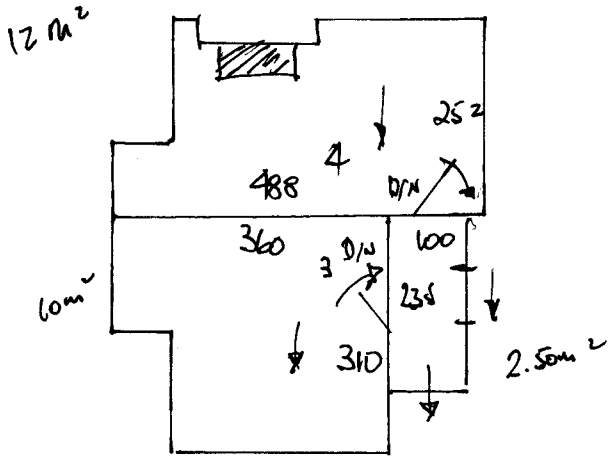
FLOORBOARDS IN POOR CONDITION
QUOTE H/B.



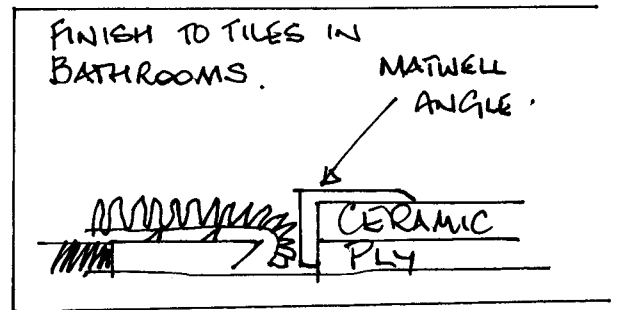
R15536
JENNIFER EUDEN
834 MELBURY CSDNS
SW 20.

1 2.

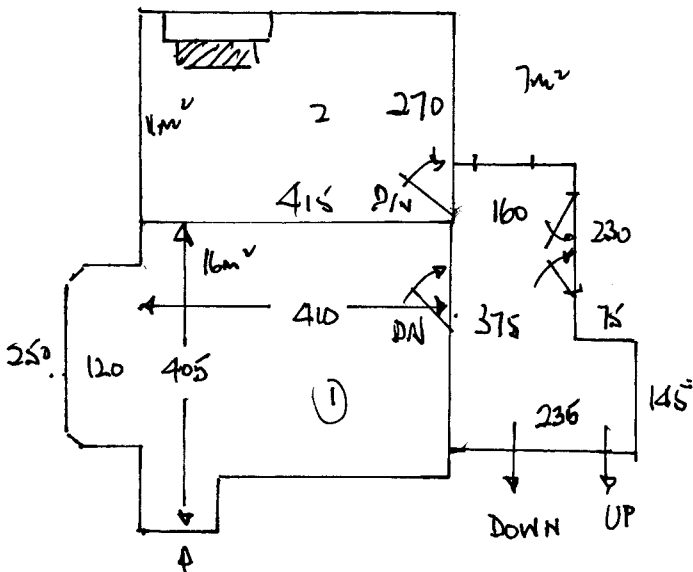
TOP FLOOR.



8 x 43 x 82
110 x 201.
5 x 43 x 82.



FIRST FLOOR.



5 x 43 x 82
112 x 200
9 x 43 x 82.

↑
TAKE CARPET TO
WALL UNDER W'ROBE BASE.

H/B. = 75no.
V/LAY = 75m²
GR. = 90no
D/N = 4no
ANGLE x 2no