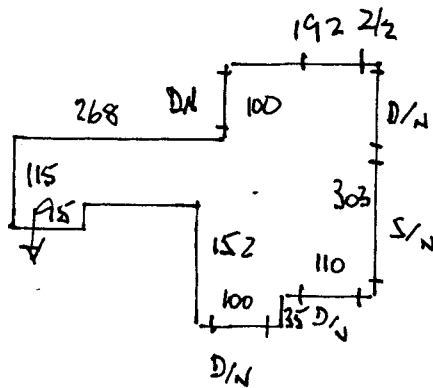


R16010
 GOULDING
 1 OAKLEAF CLOSURE
 KT 19.

1 2

FIRST FLOOR.

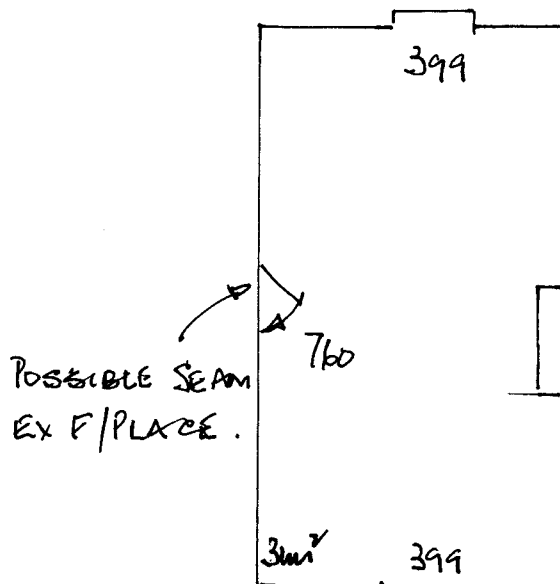
- ✓ 2 x 43 x 92
- ✓ W1 70 x 107
- ✓ W2 76 x 128
- ✓ W3 75 x 90
- ✓ 2 x 43 x 93
- ✓ W4 70 x 110
- ✓ W5 78 x 130
- ✓ W6 75 x 93
- ✓ 1 x 43 x 93
- BN. T 40 x 135
- R 20 x 150



UPLIFT & DISPOSE
 AND BARS.

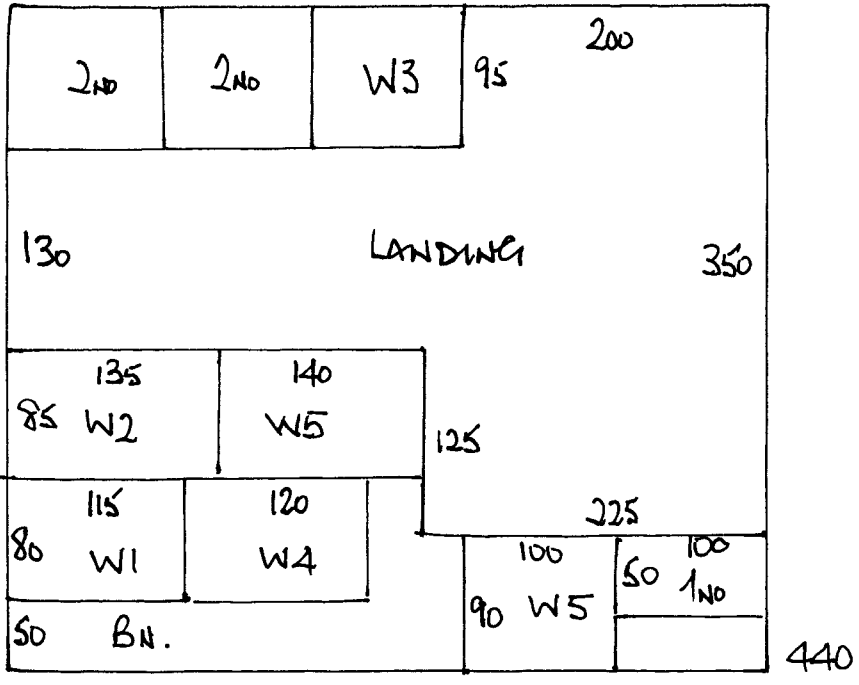
D/N x 3/4
 2/2 x 1
 S/N x 2.

LOUNGE.



FURN
 UPLIFT/DISPOSE
 AND BARS.

$7.75 \times 4.00 = 31m^2$
 (CHECKERS \bar{n})



R16010
 CLOULING
 1 OAK LEAF CLOSE
 EPSOM. KT19

2 2.