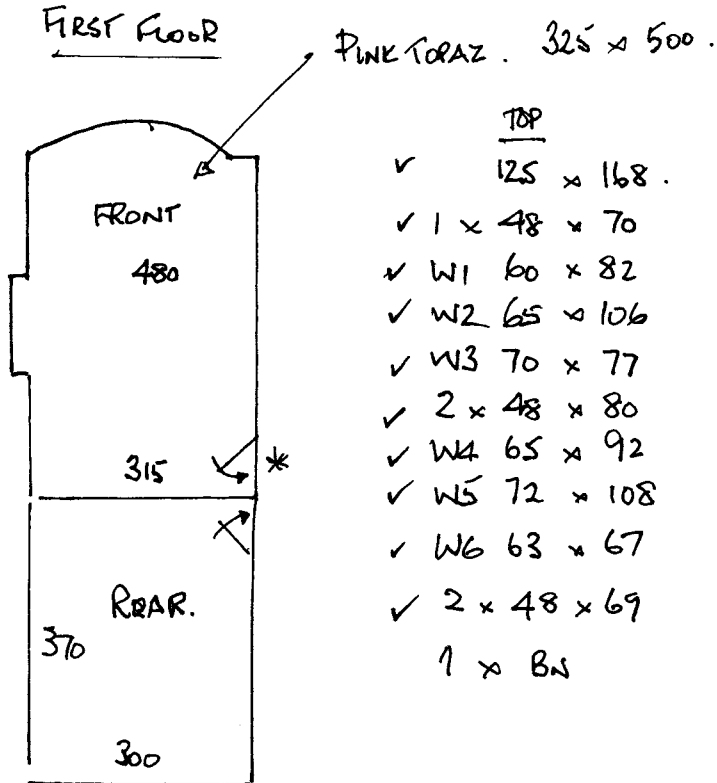


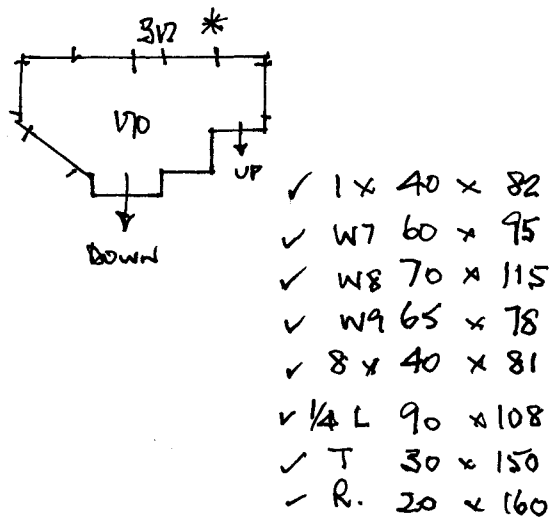
AND DOORBARS.
EXISTING GRIPPER.

R16048.
HALL.
108 ELM WALK
SW 20.9EG.



1 1

FIRST FLOOR.



GROUND FLOOR.

