

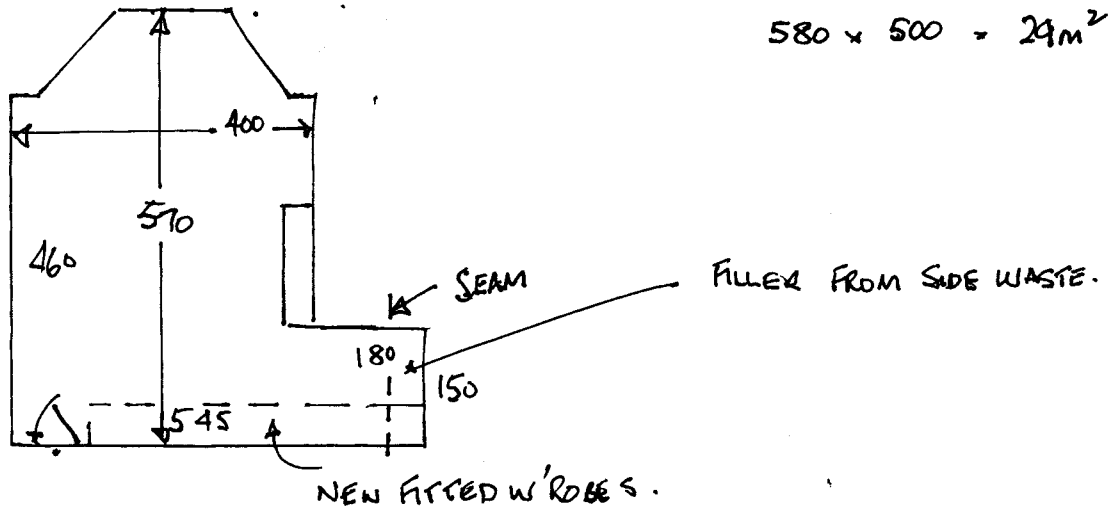
R16242
HART
13 CRESCENT RD
SW 20 .

1 1 .

FIRST FLOOR.

FRONT BEDROOM .

$$580 \times 500 = 29m^2$$



SOME GRIPPER R'QD .
UPLIFT = DISPOSE (CHECK)
FURNITURE (CHECK) - (BED FRAME)