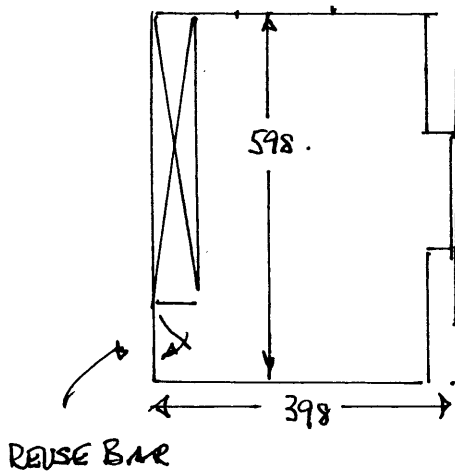


UPLIFT & DISPOSE
FURN. (BED, CHEST)

RIG 483.
HIGGINSON
32 COPSE HILL
SW 20.

1 1.

BEDROOM.



610 x 400.

U/Lay · 54m²