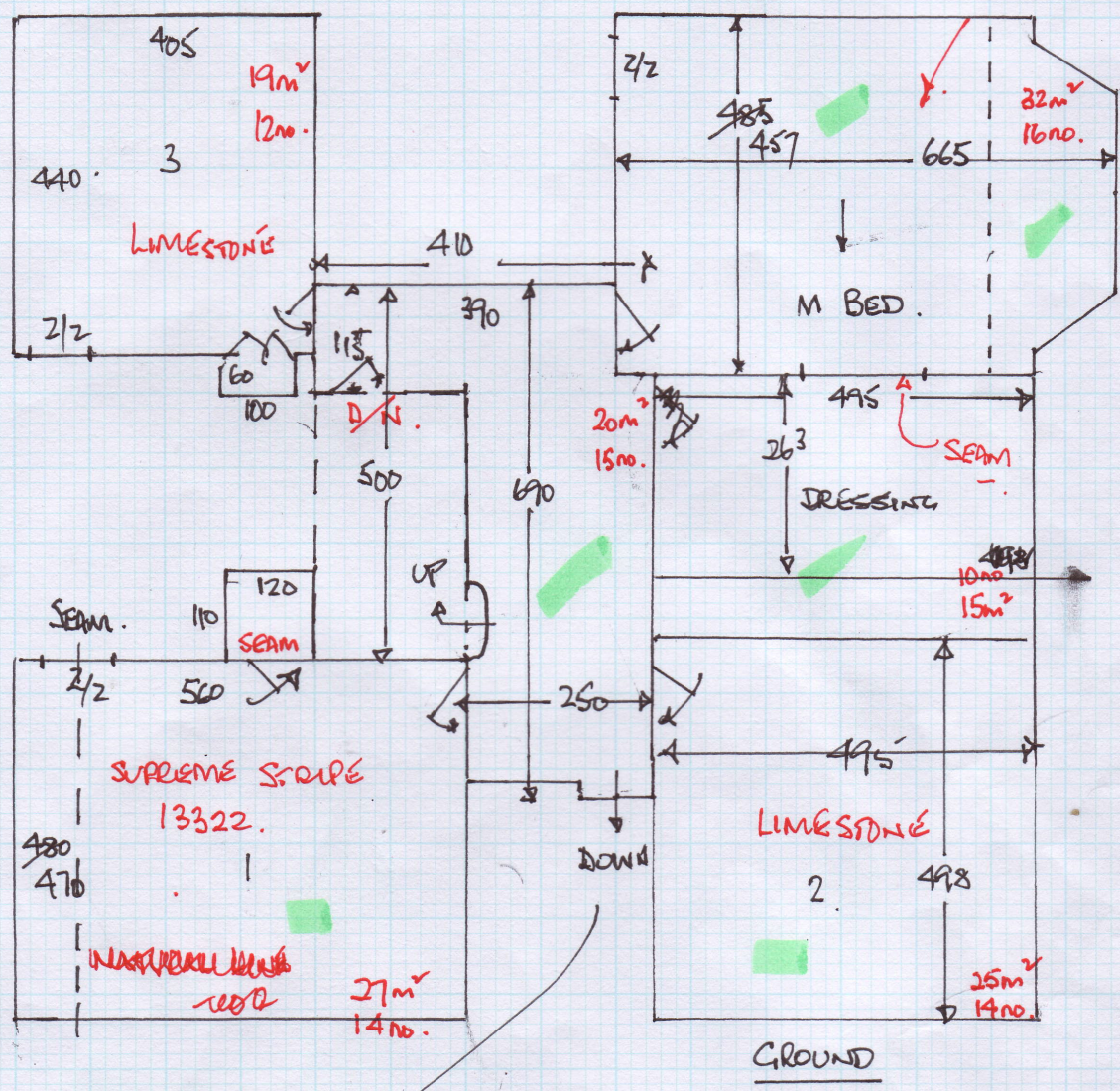


u/LAY 177m² ✓
GR. 127m²
D/N. 5no
2/z 3no.

Job No: RIGGIS
Name: HODSON
Address: 20 LAURISTON RD
SW19.
Tel:
Sheet: 2 of 2.65.

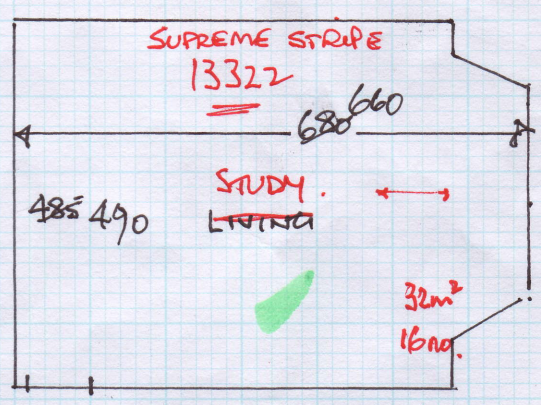
STAIRS

NATURAL LINE -02



- 7 x 42 x 102
 - 1/2 L 140 x 225
 - 15 x 42 x 102
 - BN. 70 x 130
 - 20 x 140
- 7m²
30no.

- ② 510 x 500
 - ① 570 x "
 - ③ 415 x "
- } 74.75m²

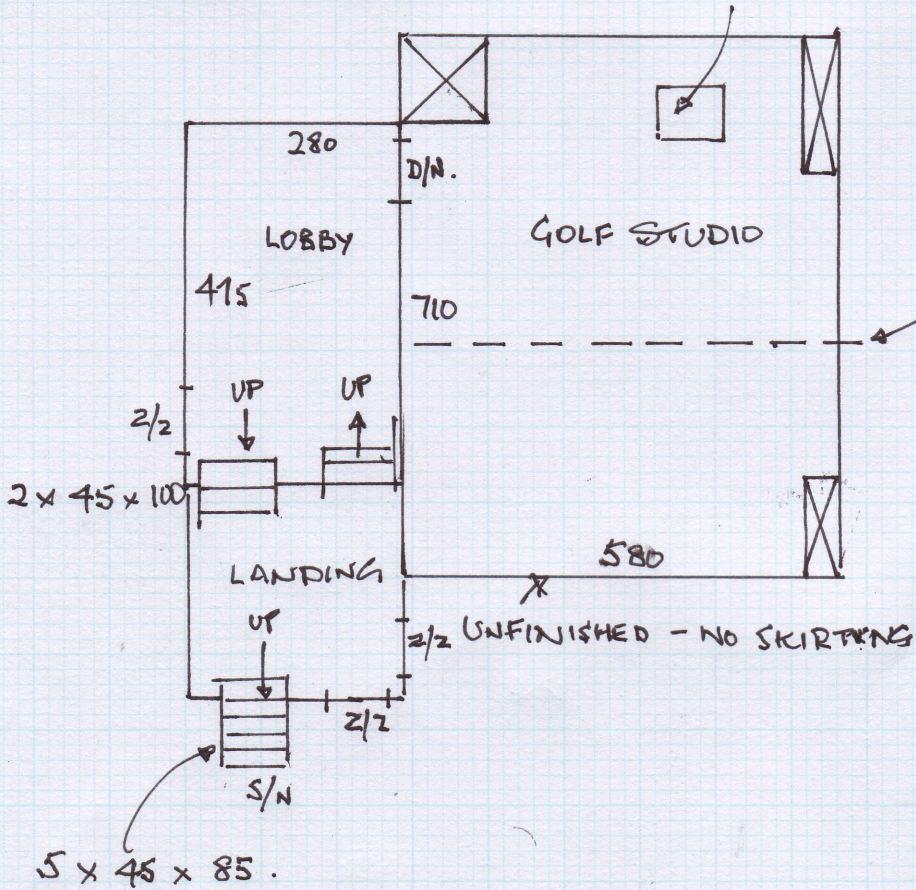


UNDERFLOOR HEATING IN SCREED
 - NO NAILS

Job No: R16615
 Name: HODSON.
 Address: 20 LAURISTON RD
 SW19.
 Tel:
 Sheet: 3 of 5

LOWER GROUND.

INSPECTION COVER.



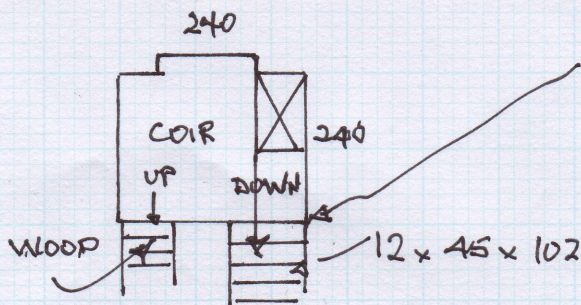
TIVERTON.

6.00 x 4.00
 6.00 x 4.00

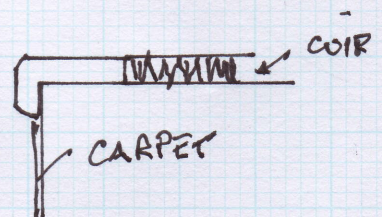
SEAM.

D/N 2.
 2/2 3.
 S/N 1.

SIDE DOOR.

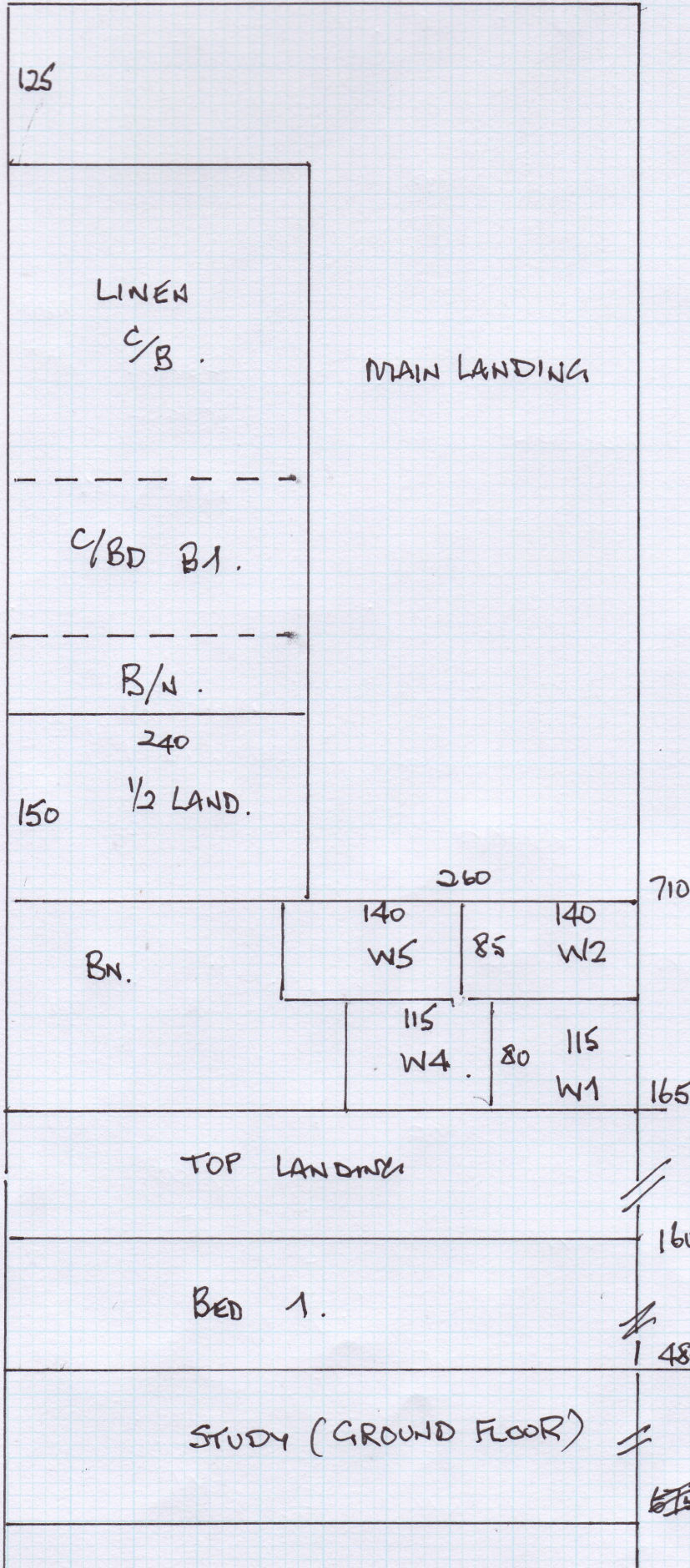


FIT OAK NOSING - GRIPFILL.



c/o 550 x 300 } FIT WASTE TO
 250 x 200 } MATWELL IN
 MAIN HALL.

Job No: R16615
 Name: HODSON
 Address: 20 LAURISTON RD
 SW19 .
 Tel:
 Sheet: 4 of 5



Cuts : 780 x 500
 680 x " (STUDY)

 14.60 x 5.00 (14.70)

500 x 500
 710 x "
 480 x "
 160 x "
 165 x "

 20.15 x 5.00 (20.30)

Job No: R16615
 Name: HUDSON
 Address: 20 LAURISTON RD
 SW19.
 Tel:
 Sheet: 5 of 5

