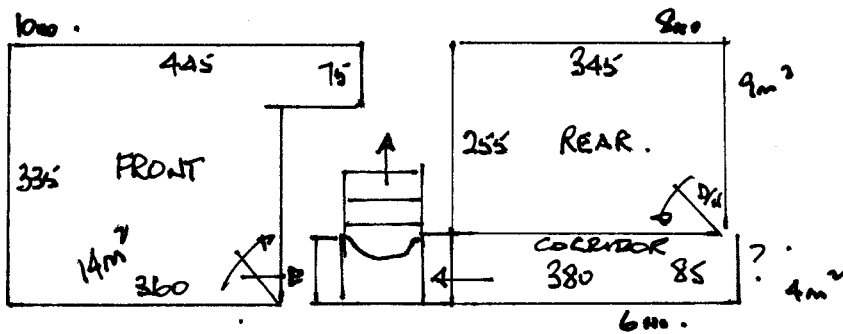


R16321

TERRY ANN HOPE  
8 BONNER HILL RD  
KINGSTON . KT 1.

1 2

FIRST FLOOR.



STAIRS.

STAIR LEFT & RIGHT TREADS ONLY . 30 x 80 .

SHAPED LANDING

70 x 80 . 15'00

STAIRS

10 x 41 x 84 .

1 x B/N .

6m²

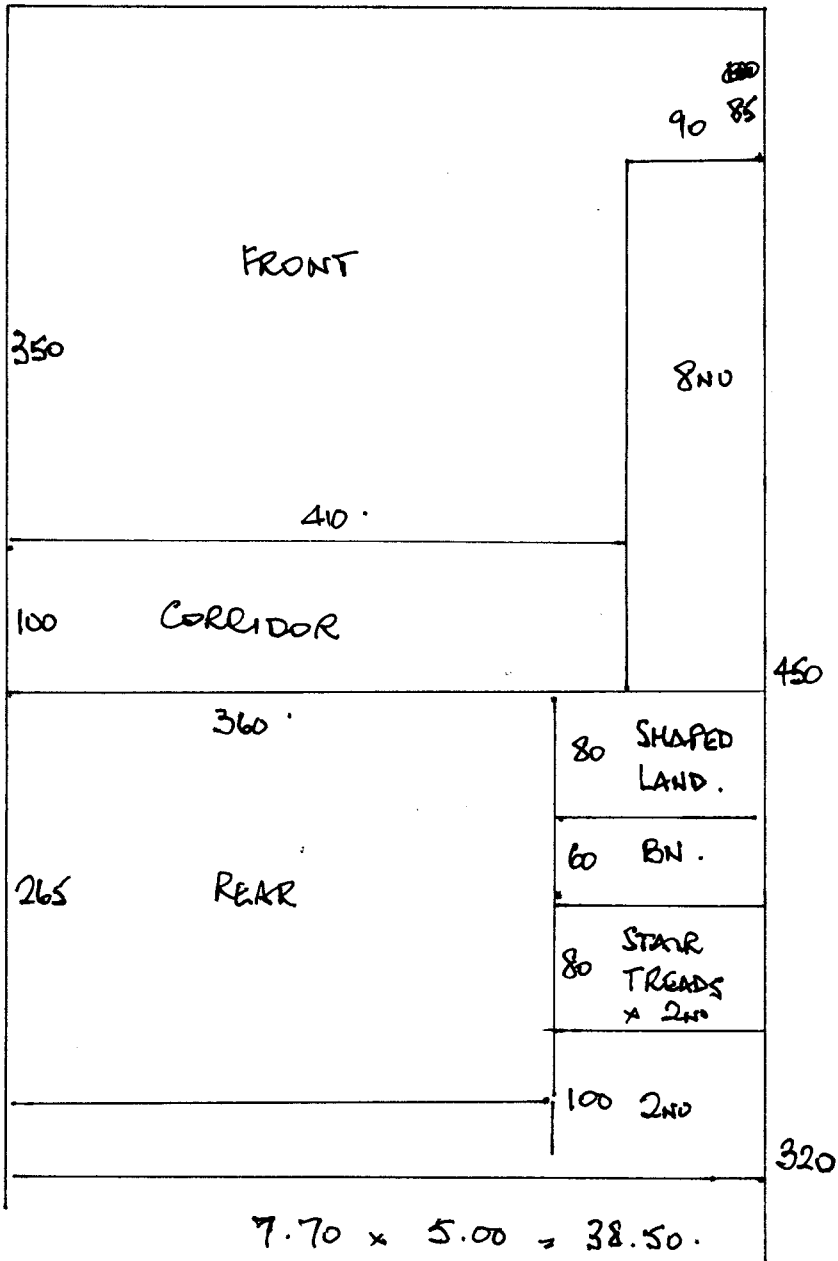
FINISH FRONT & CORRIDOR UNDER 1/2 ROUND.

U/L 33m²

Col. 39'00 .

D/w 1'00

S/W OR 2/2 1'00 .



R16321  
 HOPE  
 8 BONNER HILL RD  
 KT 1.

2 2