

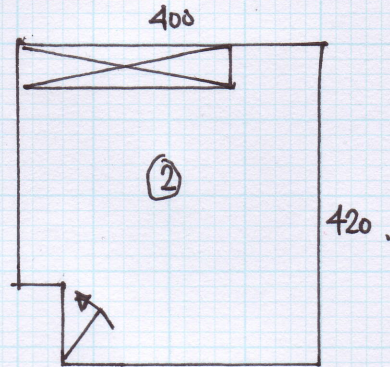
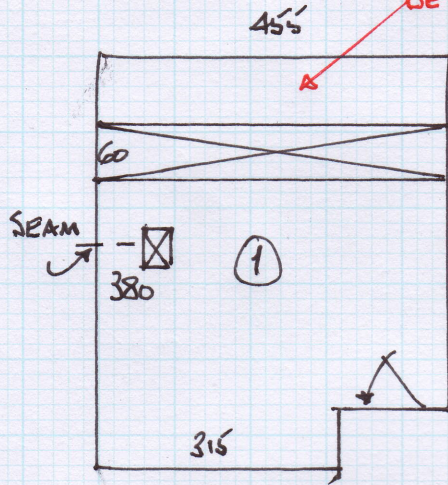
1. 420 x 500
2. 415 x "
3. 420 x "
4. 260 x "

Job No: R16684
 Name: ZAEEM JAMAL
 Address: 14 WARZANK LANE
 COOMBE. KT2

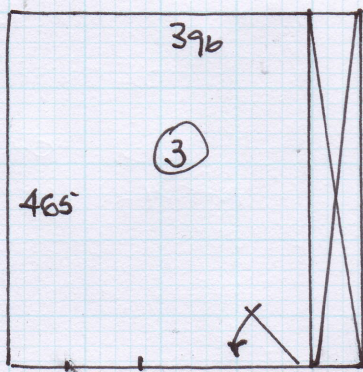
Tel:
 Sheet: 1 of 1.

TOP FLOOR.

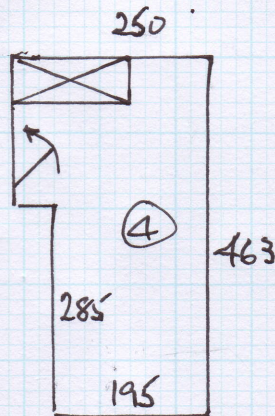
IF SUFFICIENT.
 FIT WASTE TO BASE
 BEYOND C/BD BOTTOMS.



FIRST FLOOR.



12mm Ramp @ 2/2



OTHER CONTRACTOR WILL FIT DOORBARS.