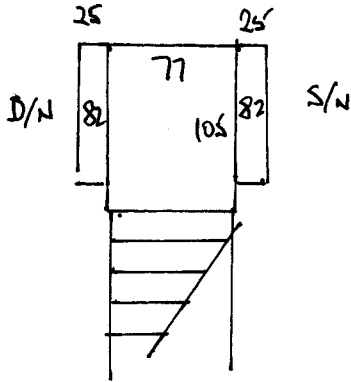


UPLIFT & DISPOSE.
 EXISTING GRIPPER.
 REPLACE DOORBARS.

R15494
 JOHNSON
 29 ALEXANDER RD
 THAMES DITON . KT 9.

1 1



Moulton 106.
 425 x 200.

- 8 x 43 x 77
- W1 63 x 90
- W2 68 x 103
- W3 70 x 76

