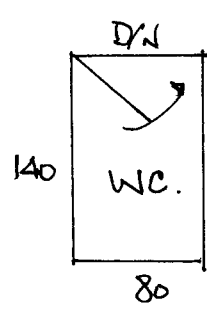
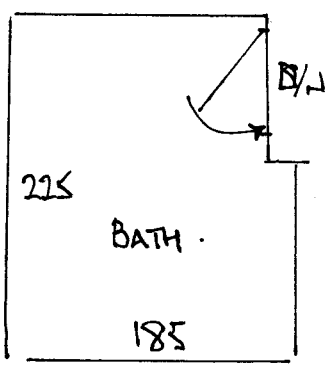
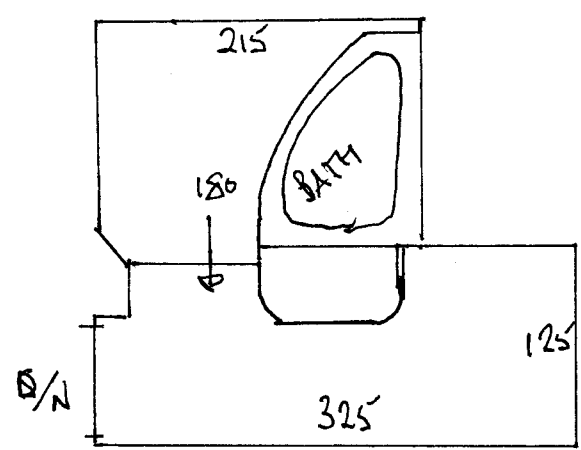


R16375
 JOHNSTONE
 9 DEVAS RD
 SW20

1 1.



ES BATH.



TAKE OFF BATH PANEL.
 REMOVE EXISTING
 FIT NEW
 REPLACE BATH PANEL.