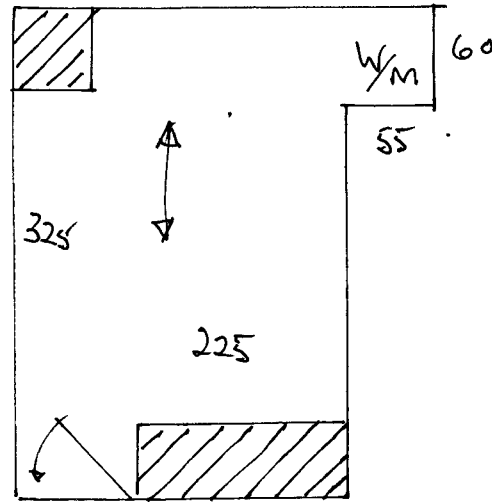


KITCHEN.

R15686
D. JONES
FLAT 4, 17 THORNTON HILL
SW19.

1 1

7.31m².



UPLIFT & DISPOSE OF EXISTING LAMINATE.
SUPPLY & FIT ALTERNATIVE FLOORING.
REPLACE WHITE SCOTIA? PROBABLY NOT.

UPLIFT & PREP BY PAUL D. (NOW COMPLETE).
FIT AMTICO ROY H.