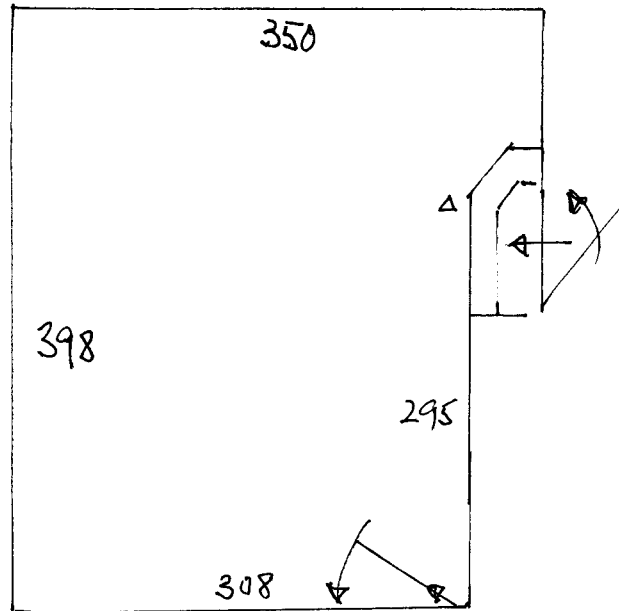


R15673  
 KODIAK CONSTRUCTION  
 ILEX LODGE  
 29 SOMERSET RD, SW19.

ANNEX.

1 2



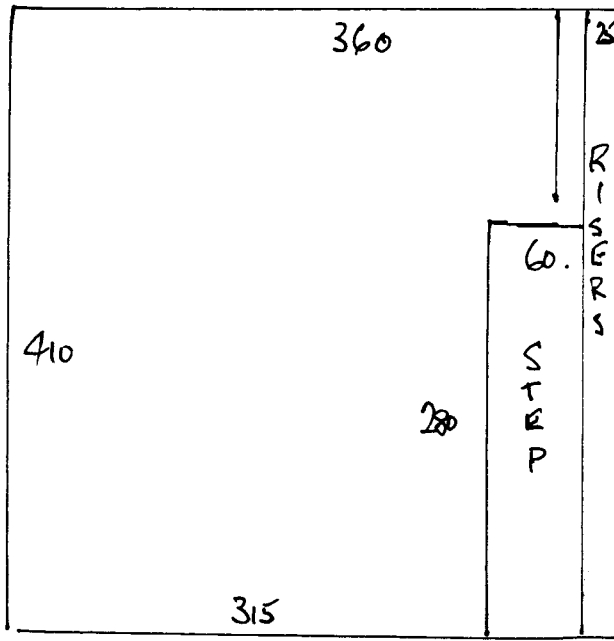
20 x 112.  
 50 x 125  
 20 x 150

410 x 400 = 16.40m<sup>2</sup>  
 4/LAY 4M<sup>2</sup>  
 GRIPPER. 11 NO.  
 S/ADY. 1 NO.



R15673  
KODIAK  
ILEX LODGE  
29 SOMERSET RD, SW19.

2 2



410 x 400