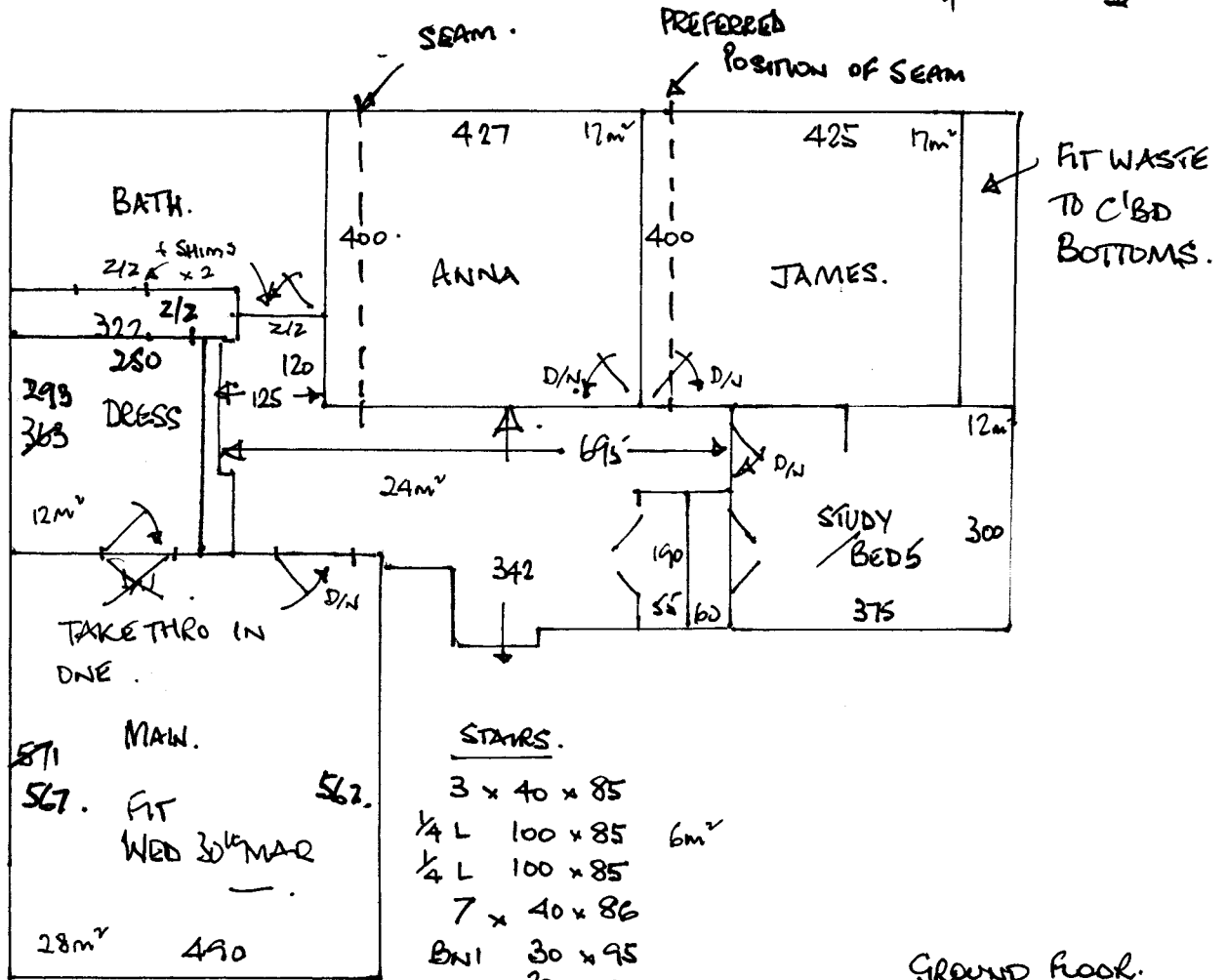


R15887

LEACH

5 COOMBE BANK  
KT 2.

FIRST FLOOR.

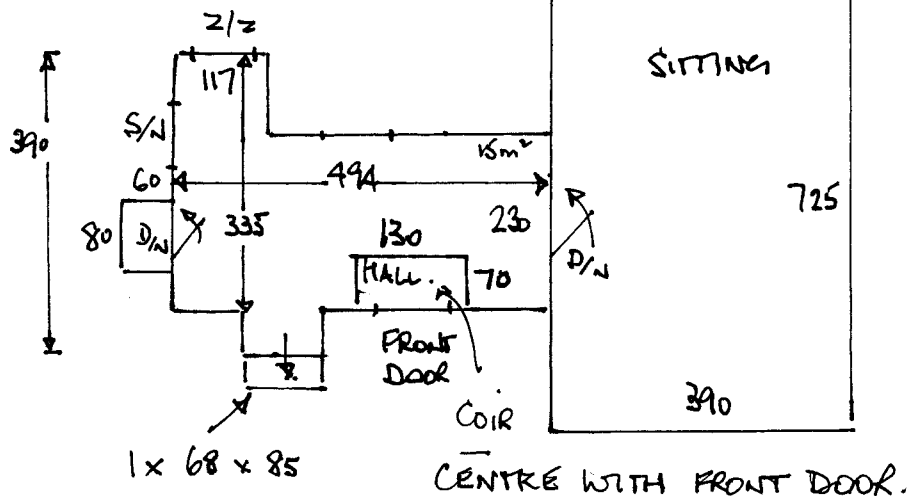


STAIRS.

- 3 x 40 x 85
- 1/4 L 100 x 85 6m²
- 1/4 L 100 x 85
- 7 x 40 x 86
- BN1 30 x 95
- 20 x 100
- BN2 40 x 95
- 20 x 105

GROUND FLOOR.

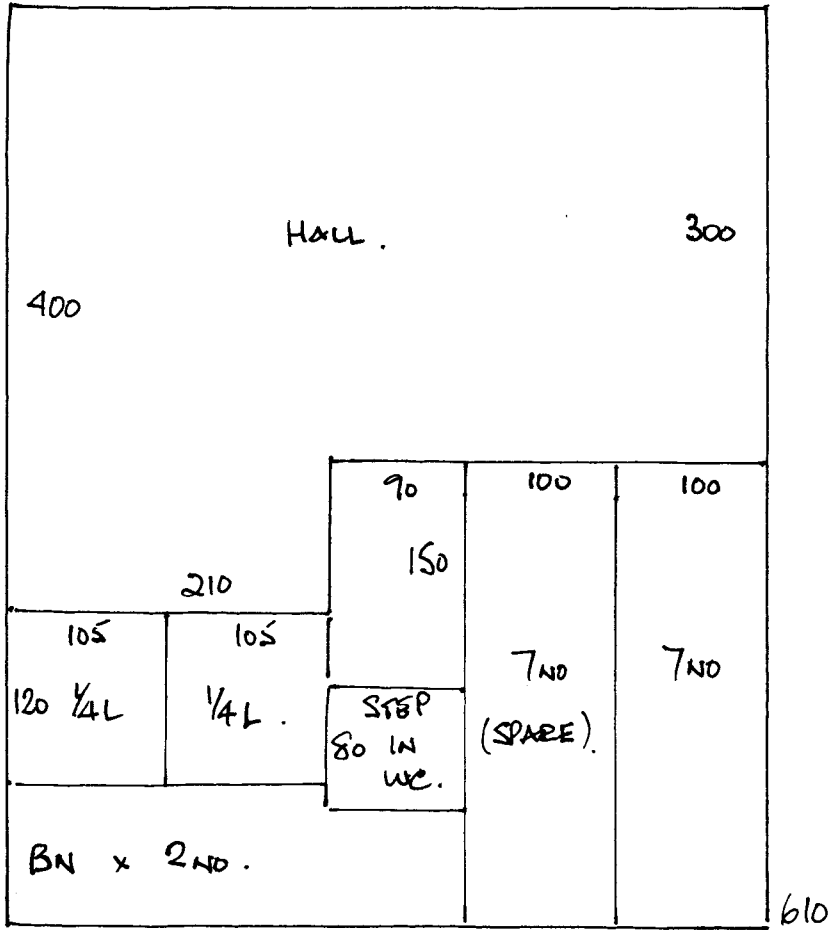
- 1/4 L 160m²
- S/N 7
- Z/2 2.
- SHIMS 4.
- GR. 100
- S/N 1



40	40	200	120	
ANNA FILLER	JAMES FILLER	LANDING.	LANDING (IFR 60) 50	
			60	60
			JAZZ C. S. D. B.	60
				425
		LANDING		≠ 375
		ANNA		≠ 420
		JAMES		≠ 420
		STUDY		≠ 320
		LOUNGE		≠ 750

R15887  
LEACH  
5 COOMBE BANK  
KT 2.

2 3



R15887  
 LEACH  
 5 COOMBE BANK.  
 KT2.

3 3