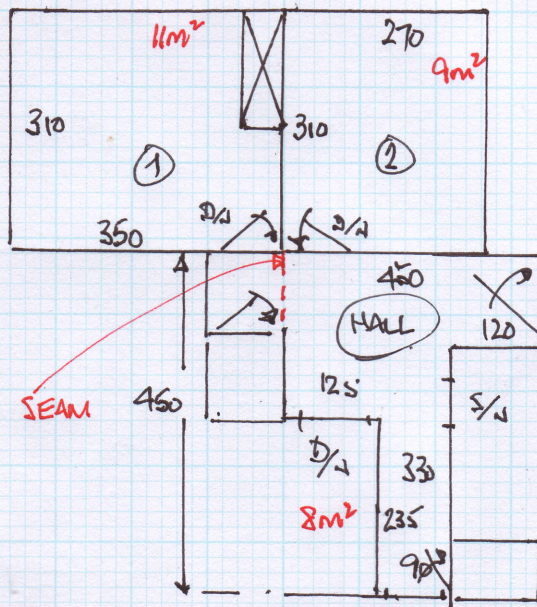


Job No: R16643
 Name: LEWIS
 Address: 3 MEERS COURT
 LANZHAM RD, SW20

Tel:
 Sheet: 1 of 1

GROUND FLOOR FLAT

SOLID FLOORS.
 EXISTING GRIPPER
 UPLIFT & DISPOSE
 FURN x 2.



320 x 400
~~320~~ x "
 460 x "

v/l. 28m².
 D/W x 3
 S/W x 1.

320
 B1. ~~320~~ x 400 }
 B2. 320 x " } 26.00.
 Hall. 460 x " } 18.00

 10.60 x 4.00 = 42.40m²
 44m²
~~40m²~~

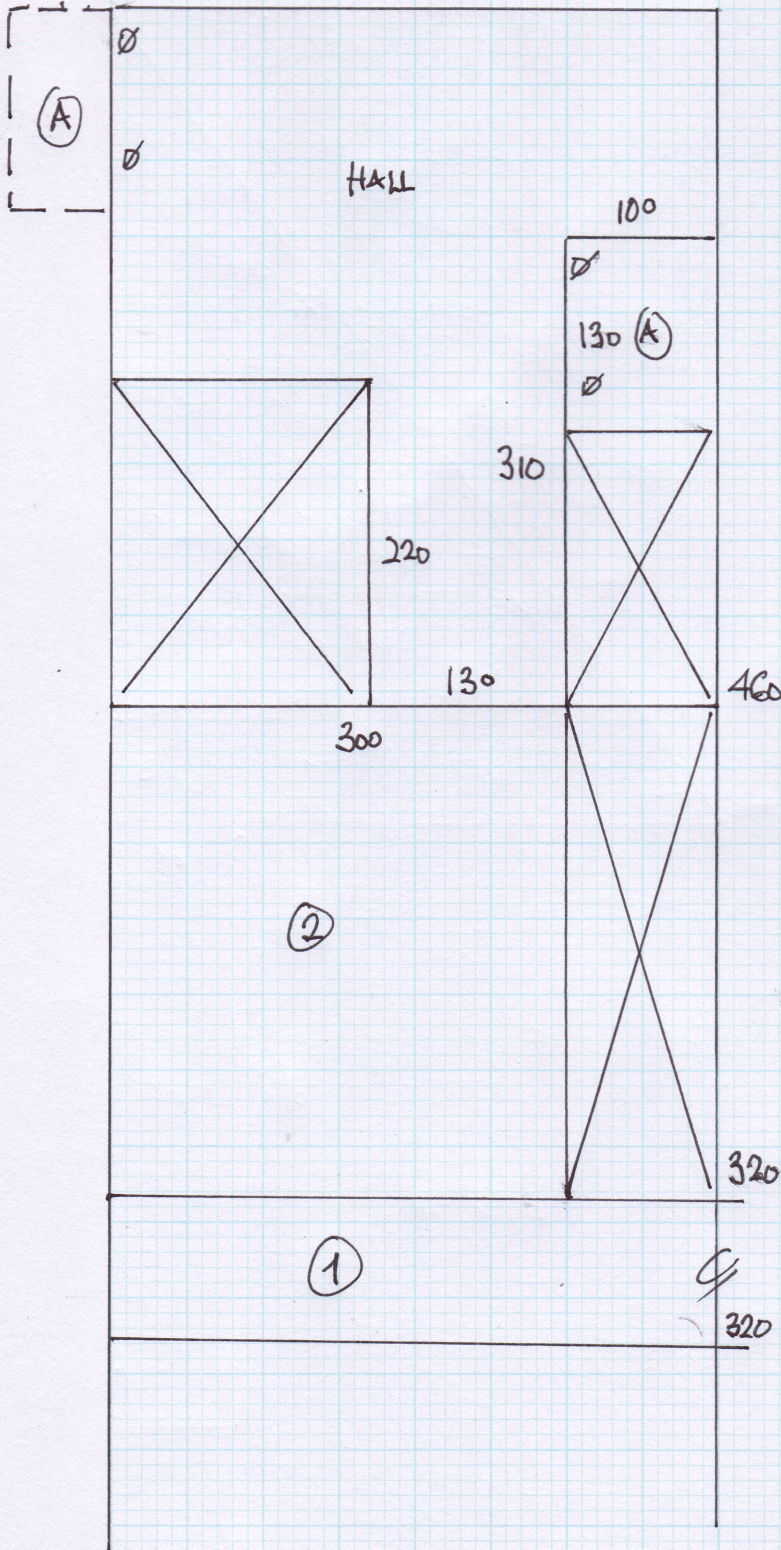
Job No: R16643

Name: LEWIS

Address: 3 MEERS COURT.
LANGHAM RD, SW20.

Tel:

Sheet: 2 of 2.



FIT WASTE TO C/BDS.

CUTS: -

HALL 460 x 400
BED 320 x "
BED. 320 x "

TAKE WASTE TO SITE.
LEAVE WITH C'IMER
IF REQUIRED.