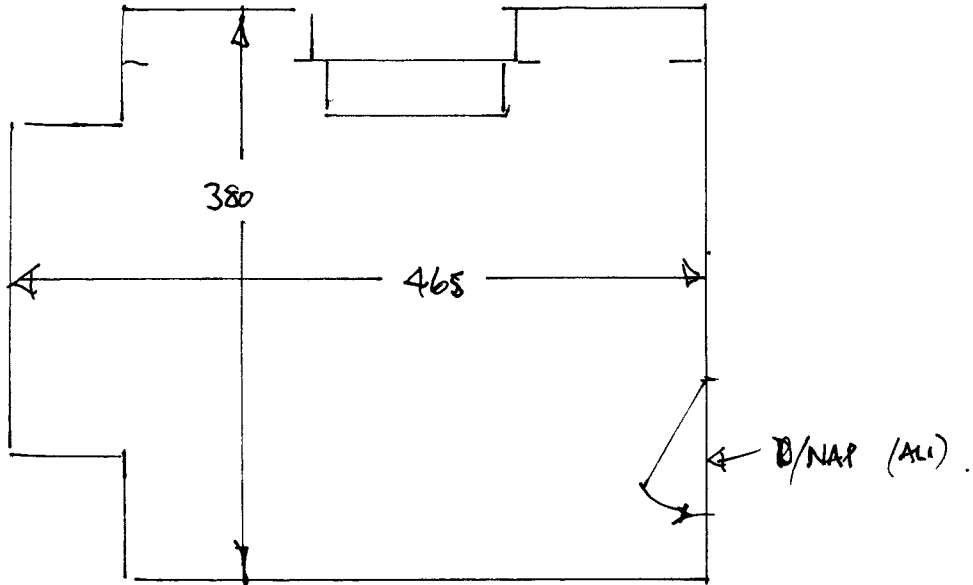


R15785  
LOGAN  
27 LAMBTON RD  
SW 20 .

FRONT LOUNGE .

1 1 .



$$175 \times 100 = 17m^2 .$$

V/LAN 17m<sup>2</sup>  
GRIPPER 2NO .

Room TO BE CLEAR.