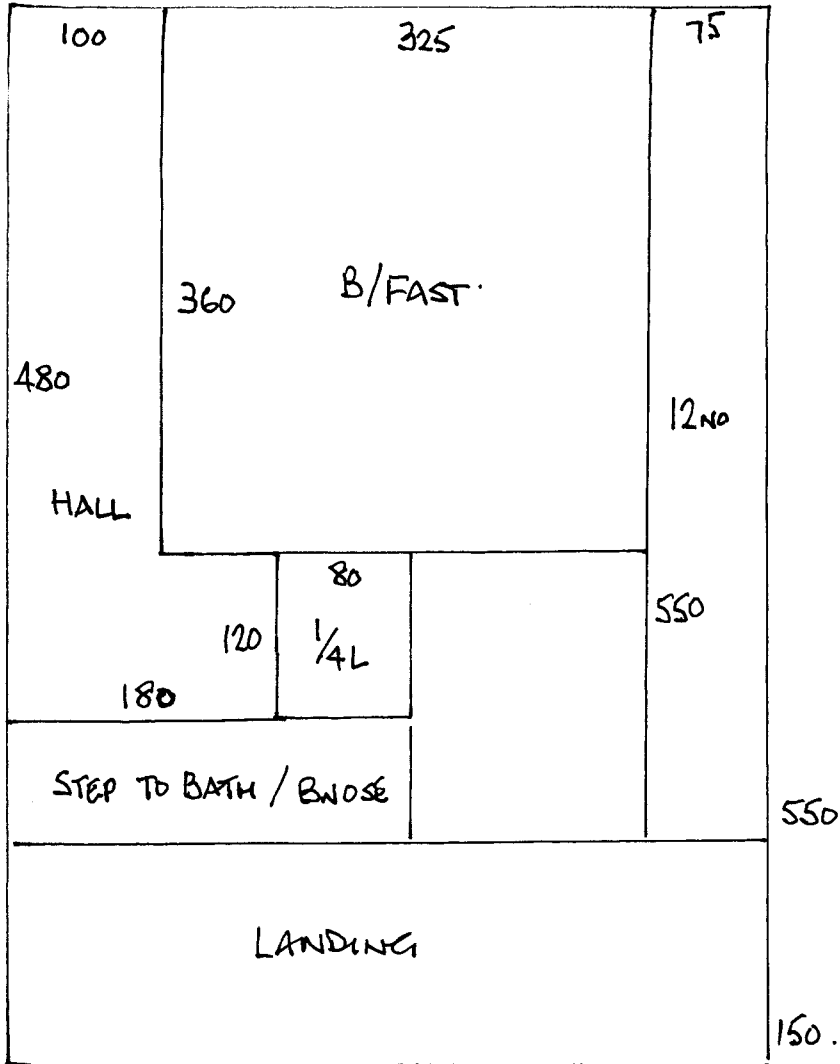


R15972
NAPIER
17 CECIL RD
SW19 .

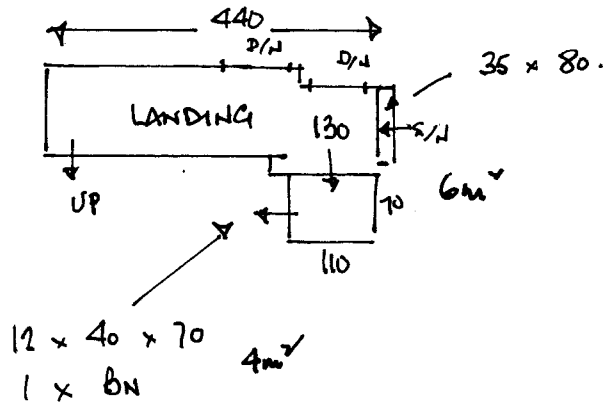


UPLIFT. H/S/L ONLY.

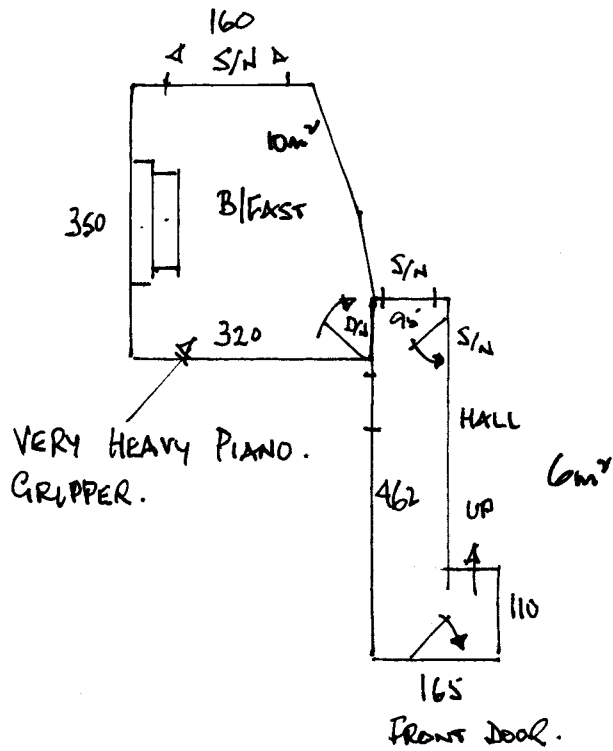
R15972
NAPIER
17 CECIL RD
SW 19

FIRST FLOOR

1 2



GROUND FLOOR.



U/LIN x 20m².
CR x 9.
D/W x 3.
S/W x 5.