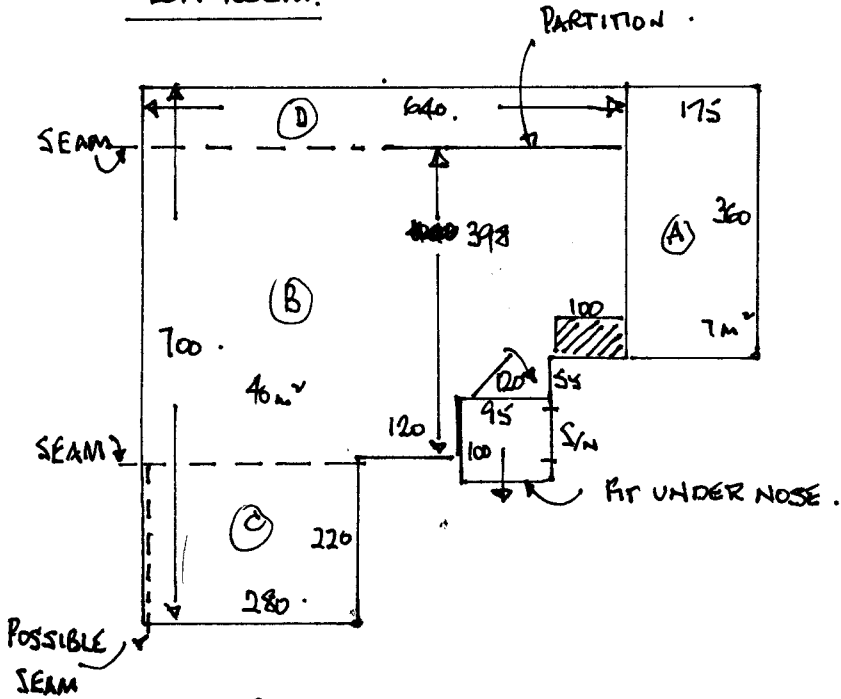


EXISTING CARPET
U/D
FURN.

R16165
O'MEARA
73 RICHMOND RD
SW20.

1 2

LOFT ROOM.



TOP STAIRS (77 WIDE)

RISER 20.

7 x 45 x 57.

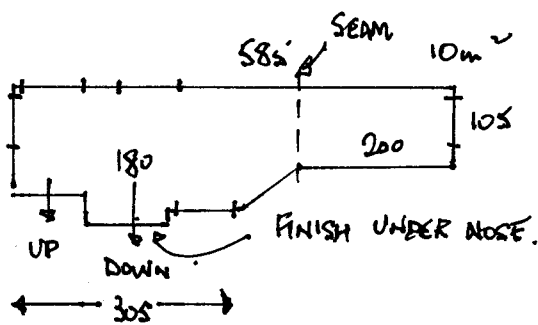
1/2 L 100 x 263 + REPEAT.

RISER 20.

5 x 45 x 57 + REPEAT.

6m²
12

FIRST FLOOR.



FIRST STAIRS (85 WIDE)

RISER 20

5 x 45 x 65.

1/4 L 100 x 85 (L SHAPE)

RISER 20.

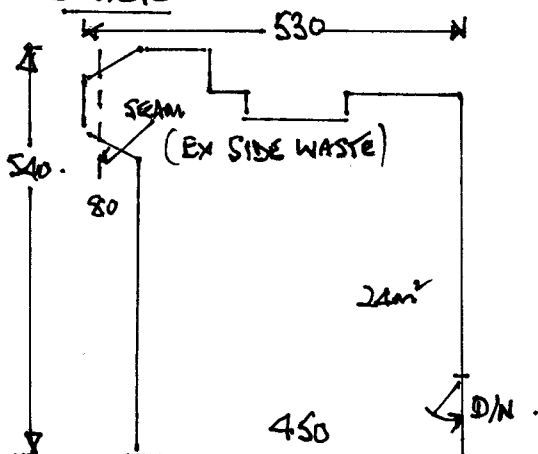
7 x 45 x 65.

1/4 L 100 x 90 (L SHAPE)

2. 2 x 45 x 65.

6m²
12
26

LOUNGE



1/4 LAY 93m².

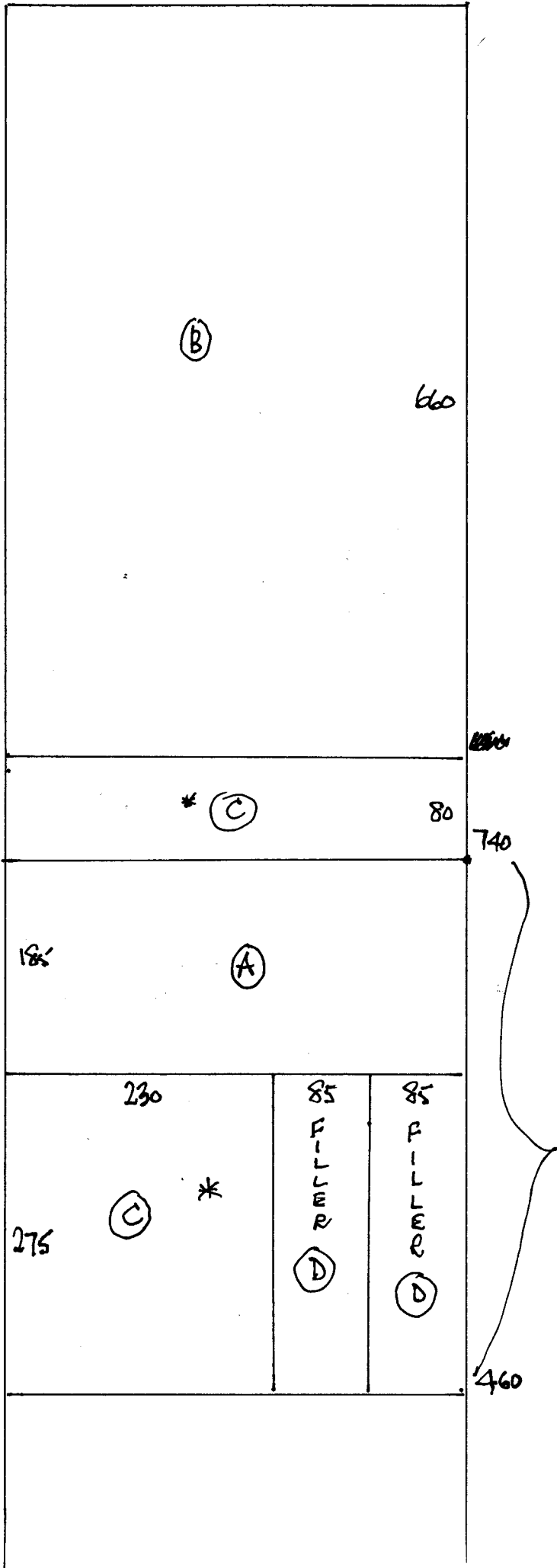
D/N. 6

Z/Z 2.

S/N 2.

R16165
O'MEARA
73 RICHMOND RD
SW20

2 2 .



740 x 400 .
460 x " .

*
SUGGEST YOU CUT THIS TO
PLAN ON SITE AFTER
CHECKING MY MEASUREMENTS .
COULD AVOID FITTING (C)
IN TWO SECTIONS .