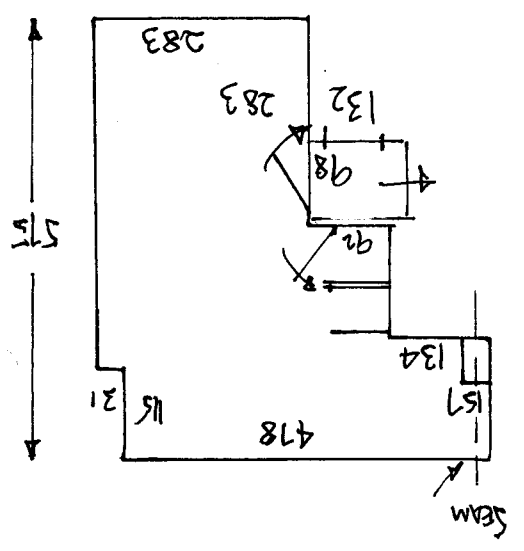


- / 2 x 45 x 76
- / M 1 52 x 83
- / M 2 57 x 103
- / M 3 72 x 105
- / M 4 55 x 72
- / 3 x 45 x 76
- / M 5 53 x 80
- / M 6 57 x 105
- / M 7 72 x 103
- / M 8 54 x 76
- T 25 x 90
- R 20 x 100



TOP FLOOR.

WOOD BASE.
CUPPER LEAD.

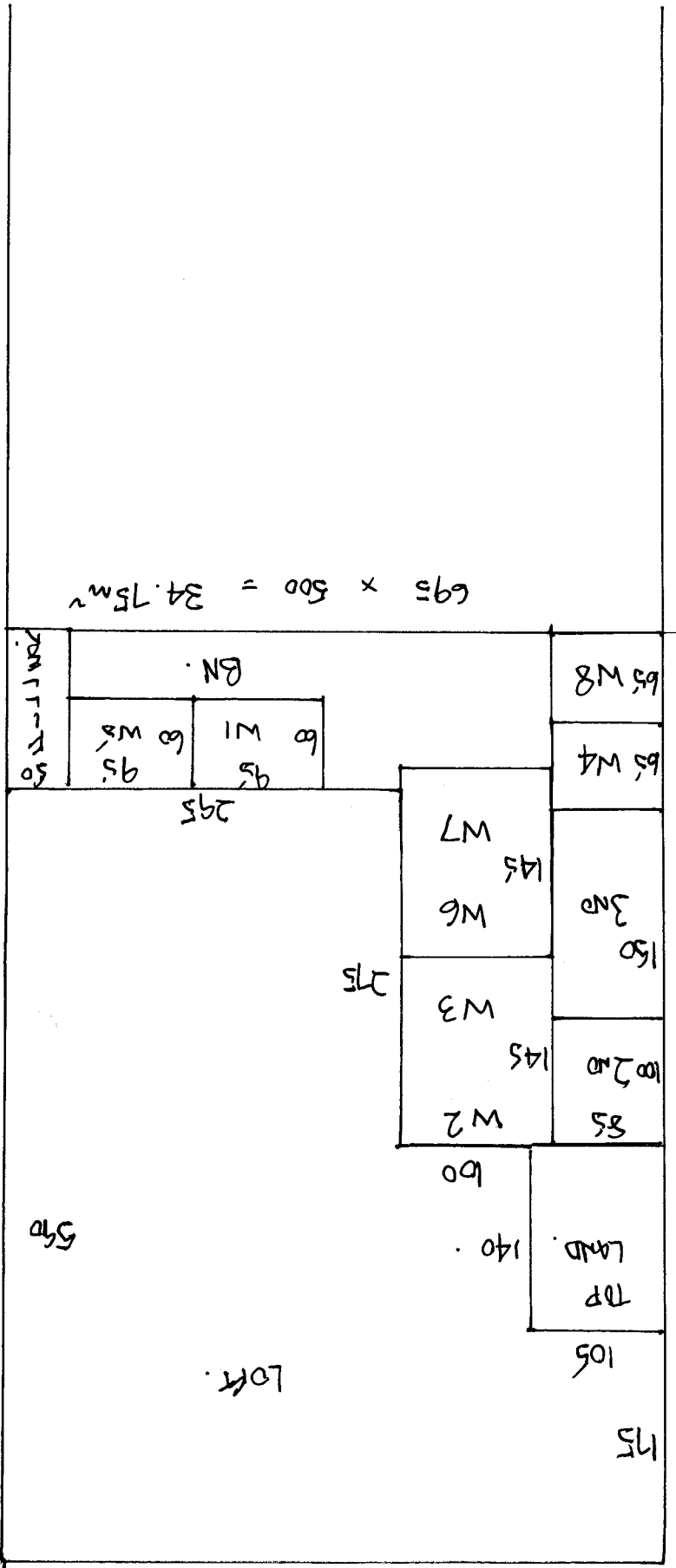
R15566.

PARMER

6 PANDARVES RD

KAYLES PARK. SW 20.

1 2



R15566
 PALMER
 6 FENDRIVES RD
 SW20
 2