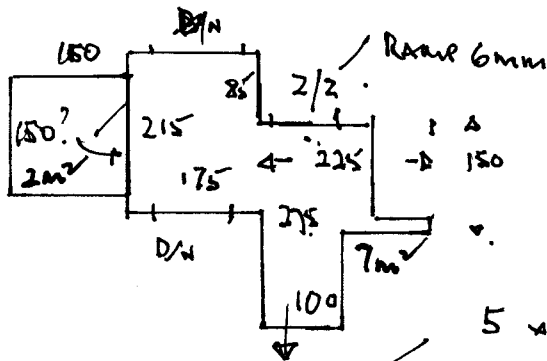


R.16263
 POLE
 5 BERKELEY PLACE
 SW19.

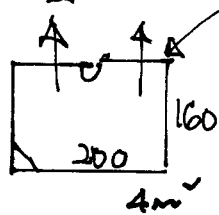
TOP



1 2

5 x 44 x 86 + TURN.

5m²



8 x 44 x 86 + TURN

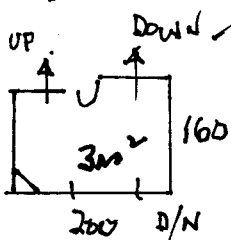
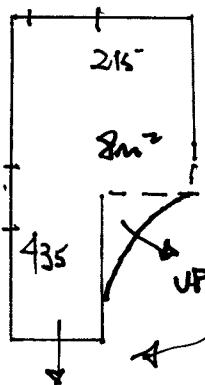
ALLOW 200 x 150 FOR REDESIGNED WINDERS.

4m²

4 x 44 x 86 + TURN

FIRST

6mm RAMP # Z/2



BN 1 T 50 x 90
 R 20 x 95

BN 2 T 55 x 110
 R 20 x 115

BN 3 T 50 x 140
 R 20 x 145

3m²

14 x 44 x 86 + TURN

5m²

BASEMENT STAIRS

RISER 20 x 86

9 x 44 x 86 + TURN

5m²

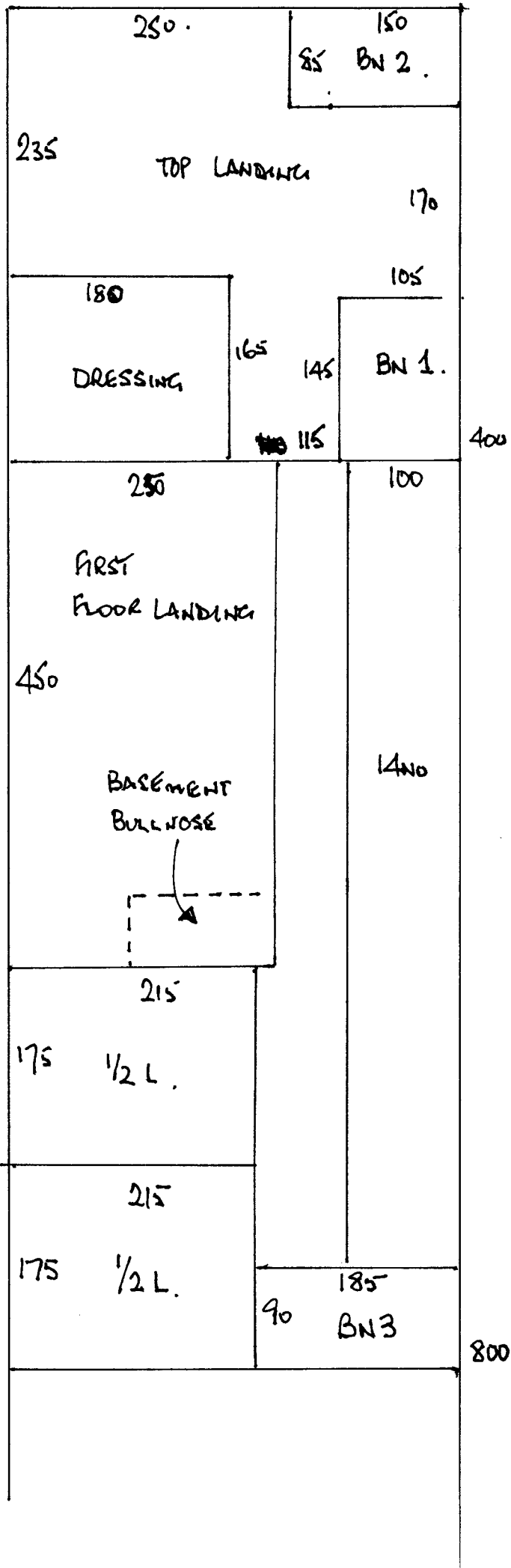
BN T 32 x 97
 R 20 x 110

U/LAY 42m²

D/N 3NO

Z/2 2NO

RAMP 2nb.



R16263
 POLE
 5 BERKELEY PLACE
 SW19

2 2.

