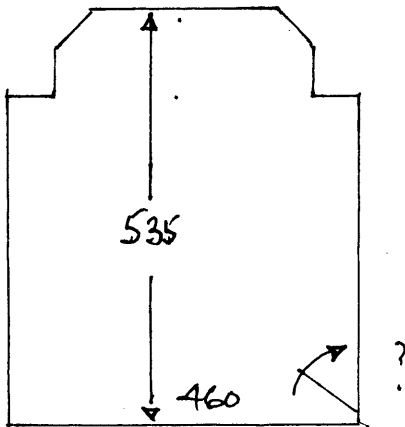


R16522
PUGH
15 COURTHOPE RD
SW 19.

1 1.

GROUND FLOOR



WOOD FLOOR
GRIPPER R'GD.

SOPAS TO MOVE.

CAT. 550 x 500 = 27.50m²
V/LAY 24m²
CIR. 13MB.
2/2 1NO.

(LAMINATE TO
HALL).