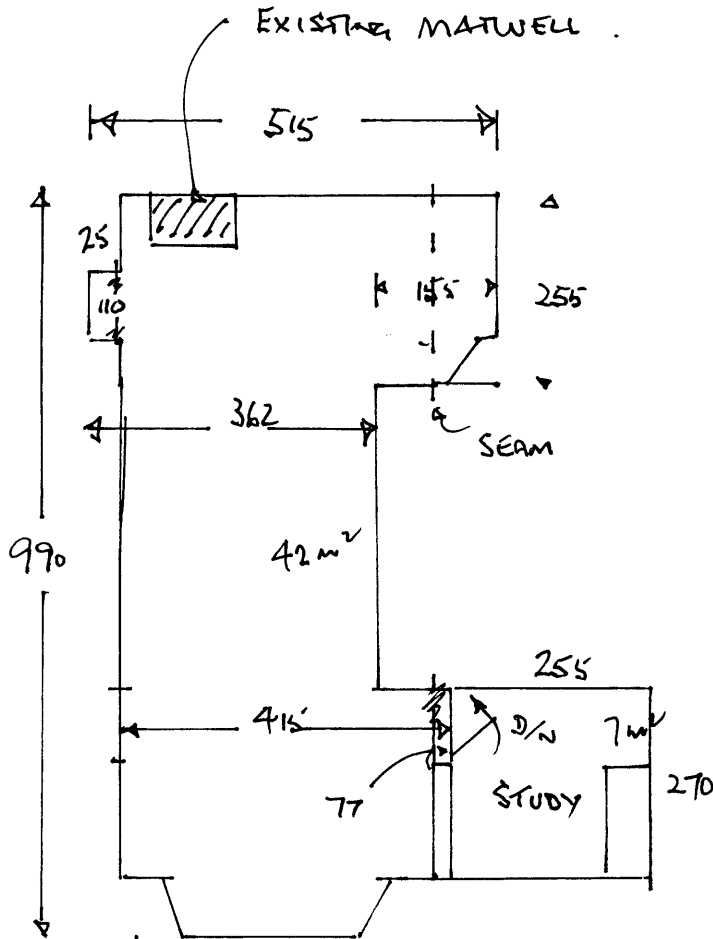


R16436
 RAYMOND
 17 LANGLEY RD
 MERTON PARK. SW19

1 1



FOMALUX
 UPLIFT/DISPOSE
 FURN TO MOVE
 SEAMING.
 D/N CHROME x 1

1/2 LAY 49m².

10.10 x 457
 2.80 x . 58.95m².

