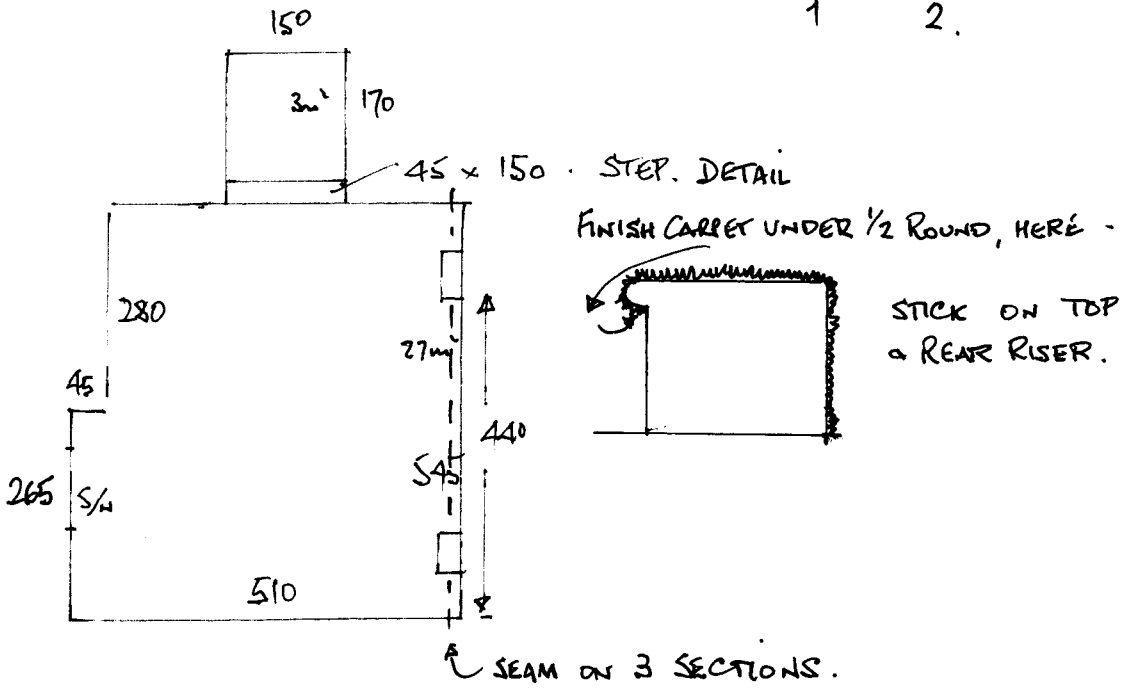


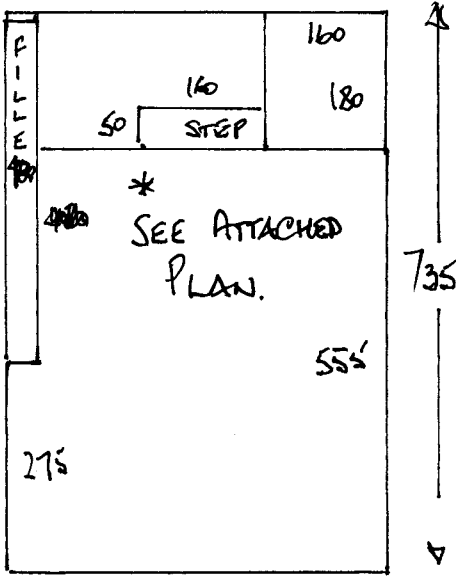
R15704.  
 REID  
 21 CAMBRIDGE RD  
 SW20.

DAISY'S ROOM.

1 2.



PRESTIGE - GREENFINCH.



- 735 x 500 = 36.75m<sup>2</sup>.
- 1/4 LAY = 27m<sup>2</sup>.
- GRIPPER = 1 NO.
- S/N CHROME = 1 NO.
- SEAMING = 5.00 l/m.
- F3 = 1 NO.

R15704  
REID  
21 CAMBRIDGE RD  
SW 20

2 2.

