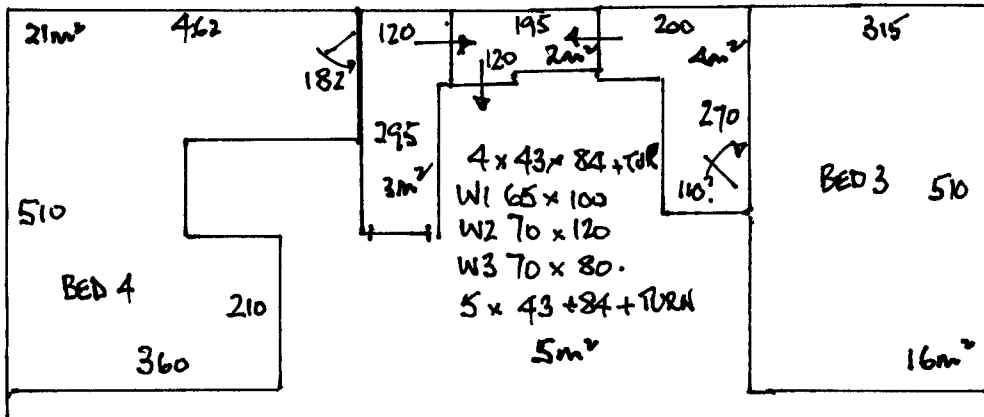


UPLIFT & DISPOSE
FURN (ALL ROOMS)

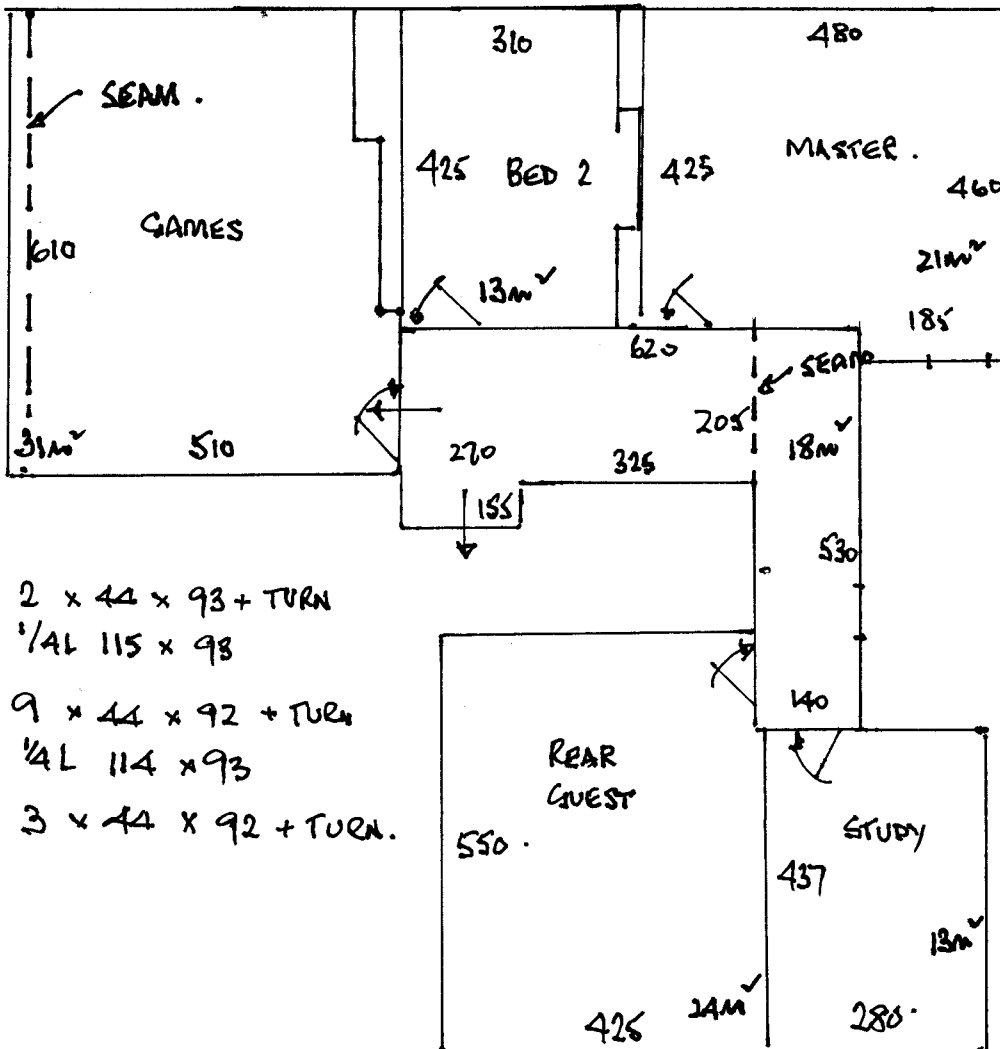
R16263
ROWAN
7 COTTENPARK RD
SW 20.

1 4

TOP FLOOR.



FIRST FLOOR.

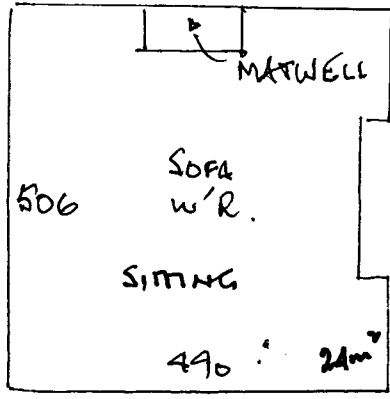


u/LAY 225m²

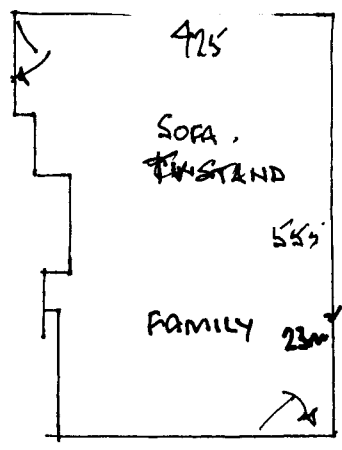
- 2 x 44 x 93 + TURN
- 1/4L 115 x 98
- 7m² 9 x 44 x 92 + TURN
- 1/4L 114 x 93
- 3 x 44 x 92 + TURN.

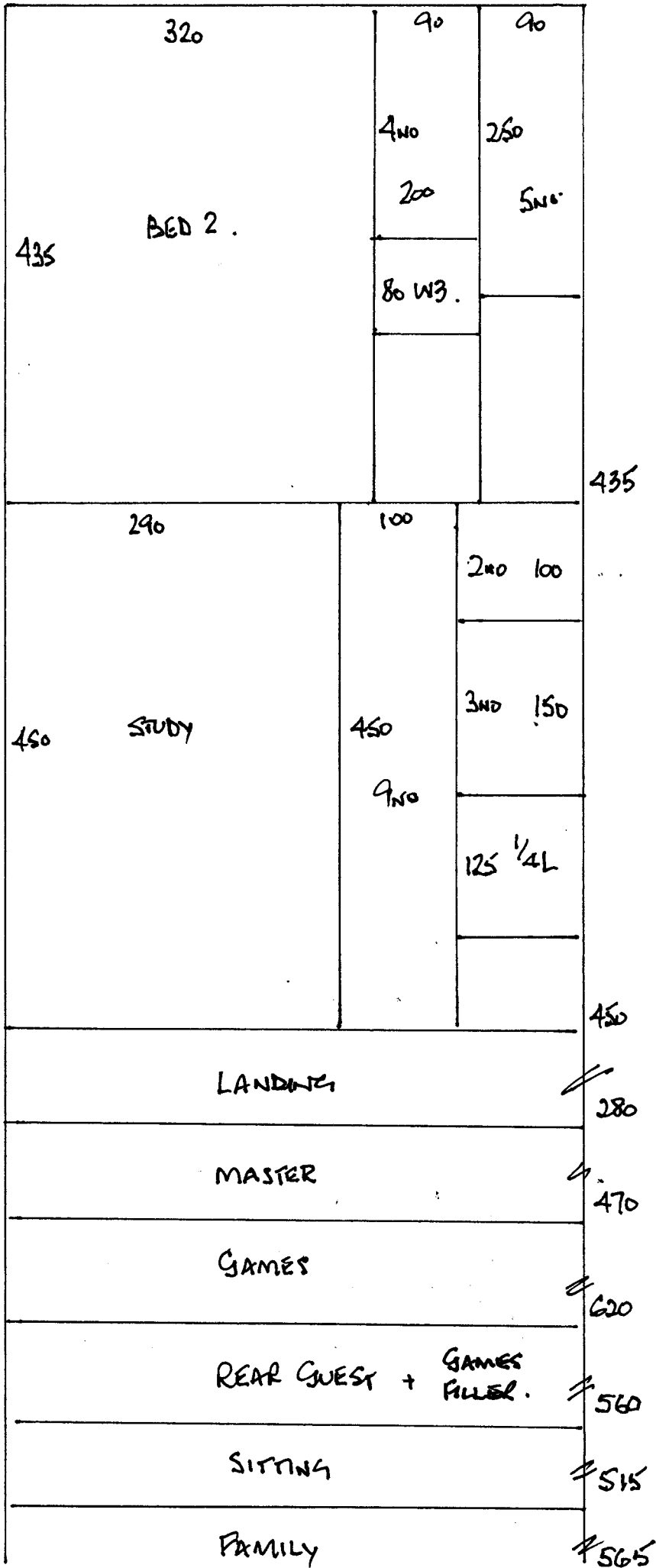
R16253.
ROWAN
7 COTTENHAM PK RD
SW 20 .

GROUND FLOOR



2 4.





R16253.
 ROWAN
 7 COTTENHAM PK RD
 SW20.

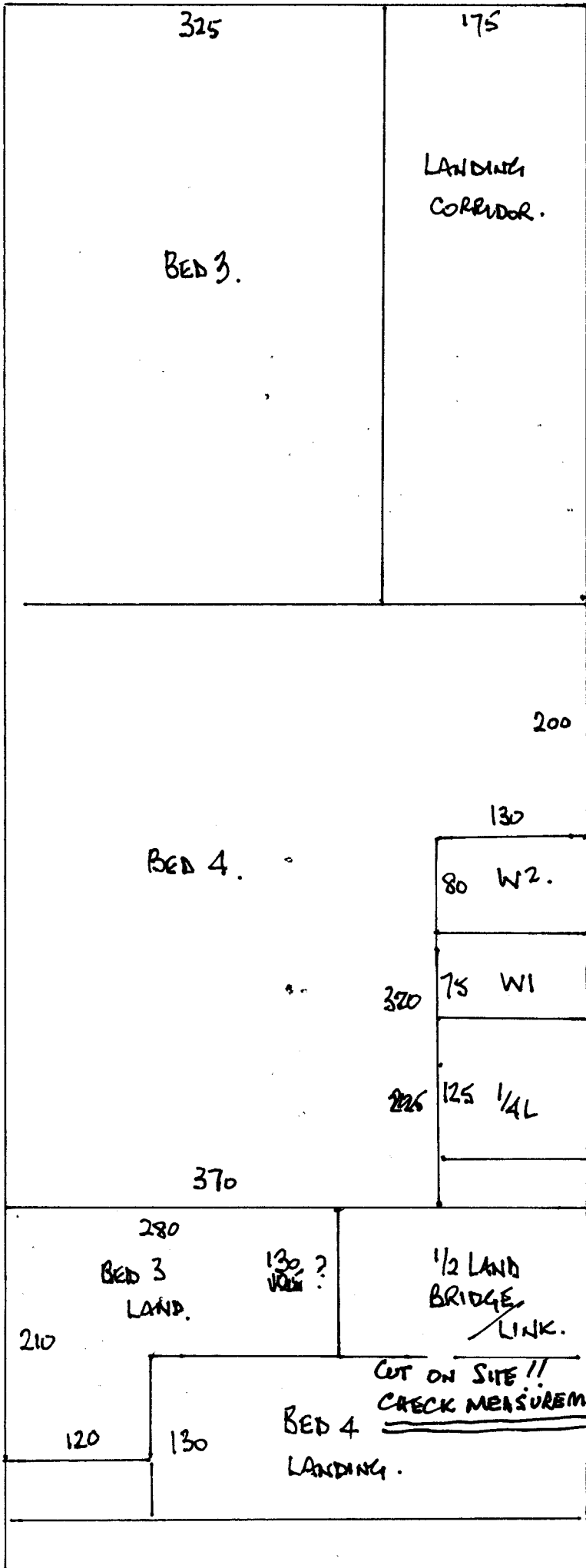
3 4

CUTS :

435 x 500
 450 x "
 280 x "
 470 x "
 620 x " } 22.55.

560 x "
 515 x "
 565 x "
 540 x "
 520 x "
 260 x " } 29.60.

$52.15 \times 5.00 = 260.75m^2$



R16253
 ROWAN
 7 COTTENHAM PK RD
 SW 20.
 4 4.