

SOLID BRASS.
ALL WOOD PLY THRO.

R16523

SEE

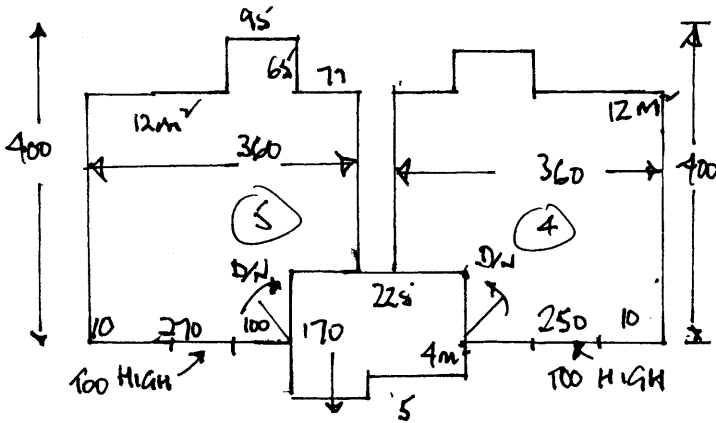
CHURCH HOUSE

CHURCH LANE, MERTON PK
SW 14.

1 3

MAIN STAIR.

15 No



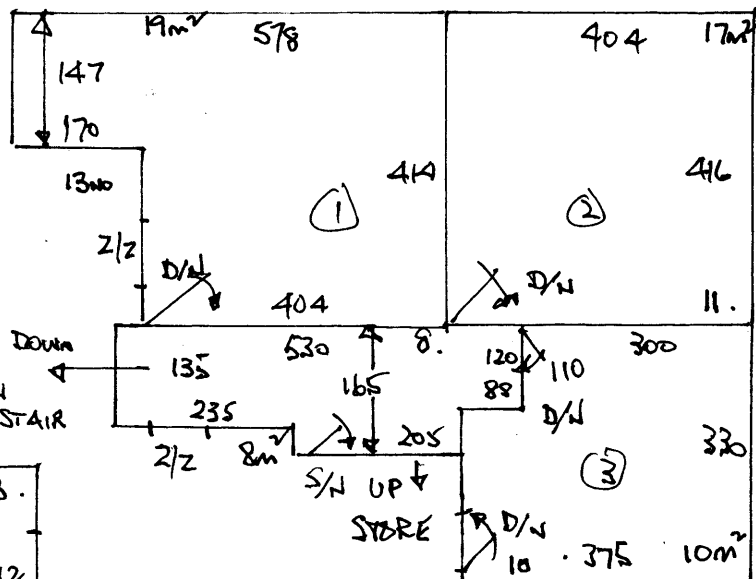
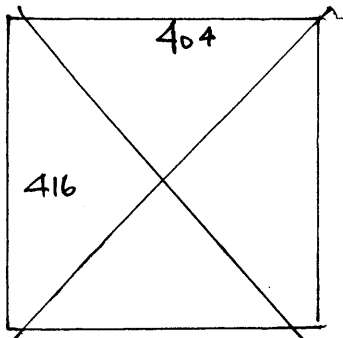
- 6 x 43 x 100
W1 70 x 112
6m² W2 80 x 124
W3 80 x 86
1/4 L 123 x 102
4 x 43 x 100

2nd

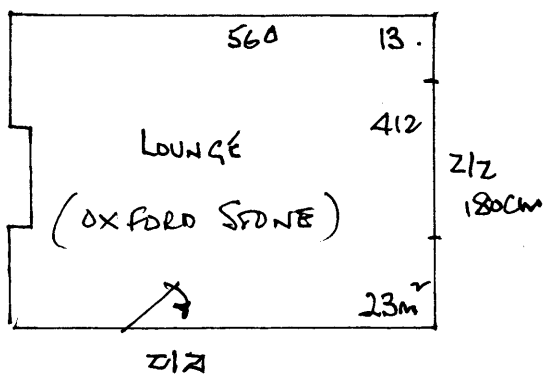
8m²

- | | | |
|-----|--------------|------------------|
| W5 | 1 x 42 x 96 | 1 x 65 x 110 W14 |
| W6 | 1 x 44 x 96 | 1 x 65 x 117 W15 |
| W7 | 1 x 43 x 96 | 1 x 50 x 103 W16 |
| W8 | 1 x 50 x 105 | 1 x 45 x 100 W17 |
| W9 | 1 x 55 x 105 | 1 x 43 x 96 W18 |
| W10 | 1 x 65 x 117 | |
| W11 | 1 x 65 x 110 | RWT 85 x 135 |
| W12 | 1 x 63 x 108 | R 20 x 145 |
| W13 | 1 x 65 x 112 | 30 No. |

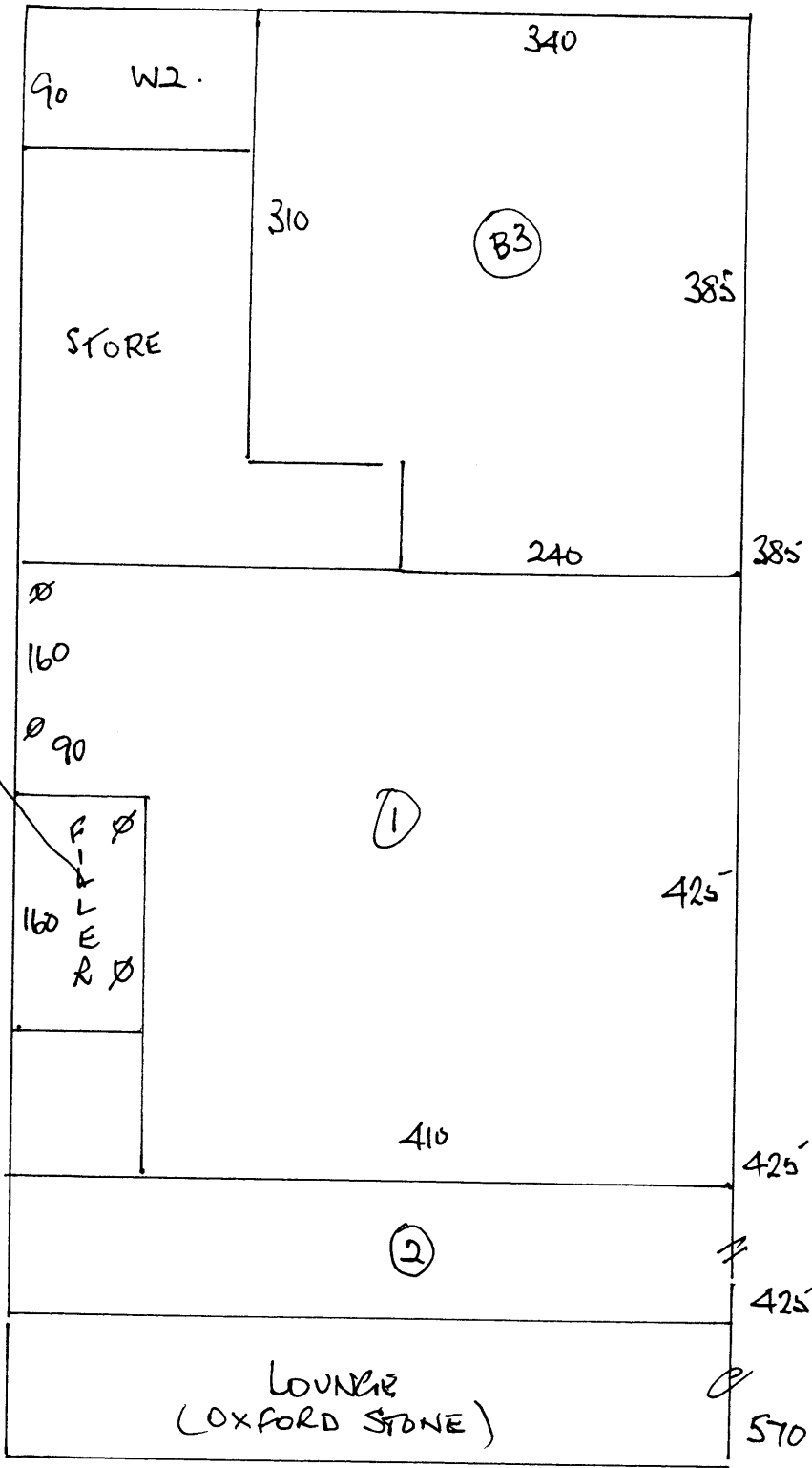
FIRST FLOOR REAR



GROUND

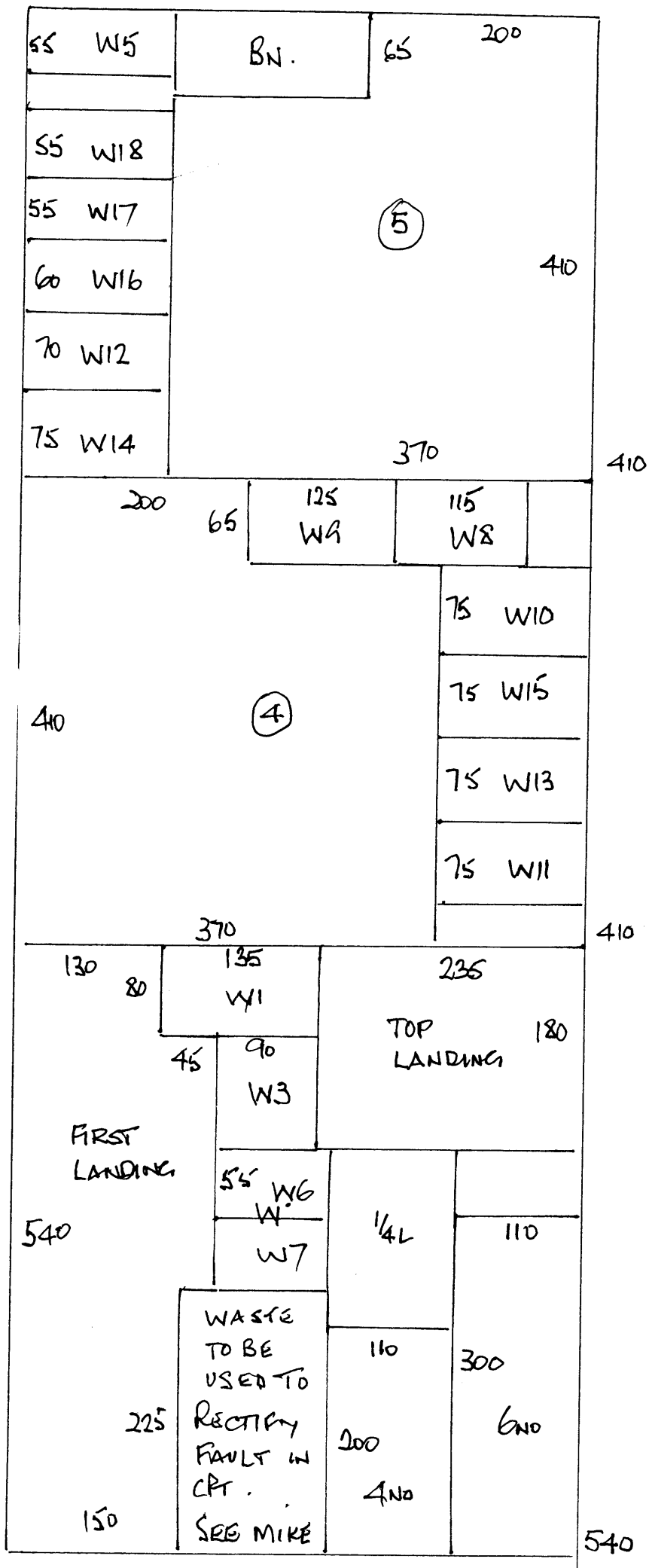


- | | |
|-------|--------|
| U/LAM | 119m² |
| GR. | 130 No |
| D/N | 6 No |
| Z/Z | 5 No |
| S/N | 1 No |
| ANGLE | 3 No |



R16523
 SEE
 CHURCH HOUSE
 SW19.
 2 3

- CUTS :
1. 410 x 500
 2. 410 x "
 3. 540 x "
 4. 385 x "
 5. 425 x "
 6. 425 x "
 7. 570 x "
-
- 31'65" x 5.00 = 158.25 ^{m²}



R16523
 SEE
 CHURCH HSE
 SW19
 3 3