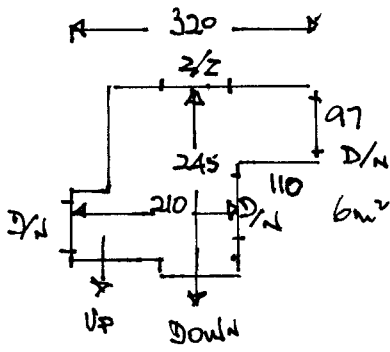


FIRST FLOOR



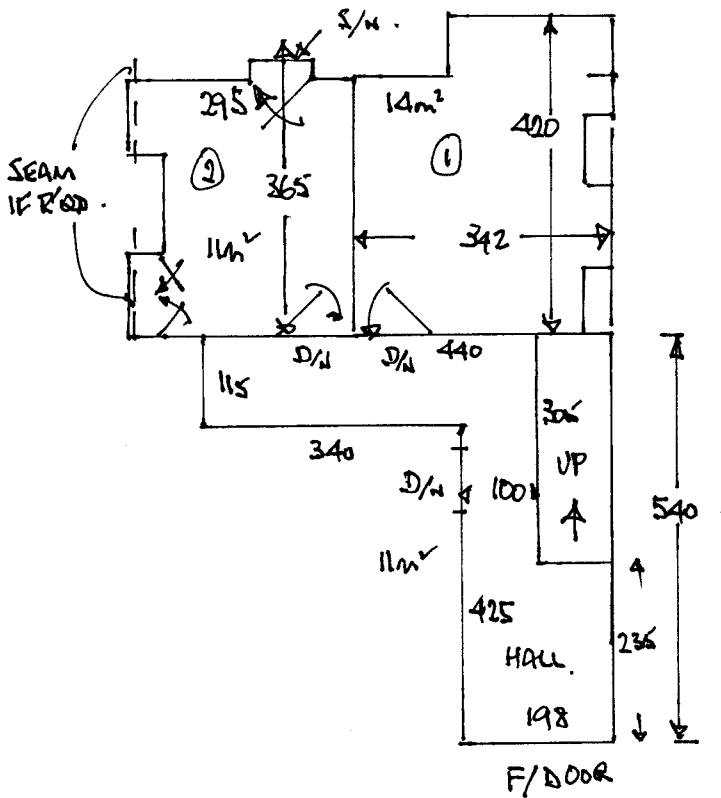
- 4 x 43 x 90 + TURN
- 1/4 L 115 x 88 5m²
- 9 x 43 x 86 + TURN
- 1 x BN.

SHAW-WIGHTWICK.
28 CRAVEN Gdns
SW14

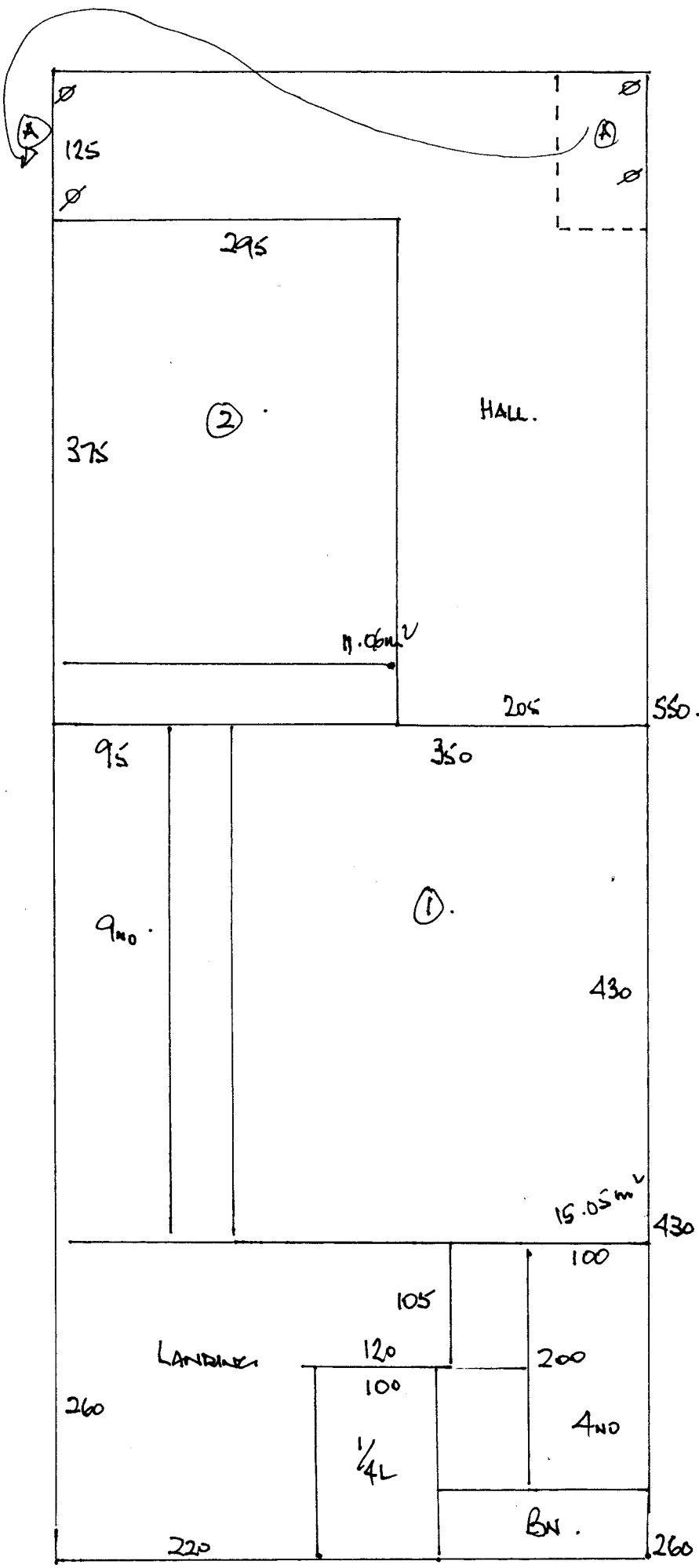
#1 2.

EXISTING CARPET
UPLIFT & DISPOSE
MINIMAL FURNITURE

GROUND FLOOR



- U/LAY 47m²
- D/N 640
- Z/Z 140.
- S/N 140.



R16401
 SHAW - WIGHTWICK
 28 CRAVEN COINS.
 SW19.

2 2

$$\begin{array}{r}
 550 \times 500 \\
 430 \times \cdot \\
 260 \times \cdot \\
 \hline
 1240 \times 500 = 62m^2
 \end{array}$$

ROOMS. 26m²
 LAND
 HALL/STPS 36m²