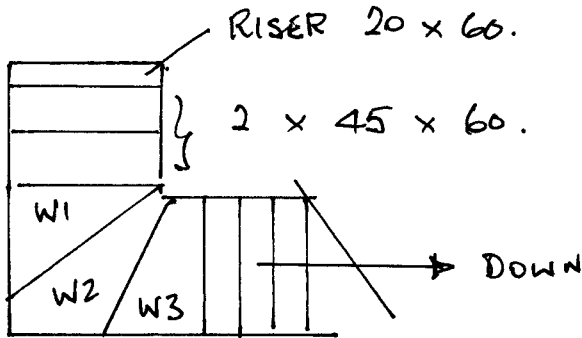


R15565
 SKINNER
 28 RICHMOND AVE
 SW 20 8LA.

1 1.

STAIRS.



1. TAKE OFF RUNNER & PADS .
2. REUSE GRIPPER .
3. NEW FELT PADS .
3. FIT STRAIGHTS
4. CUT WINDERS 1 & 2 RETURN TO WAREHOUSE FOR FINISHING .

