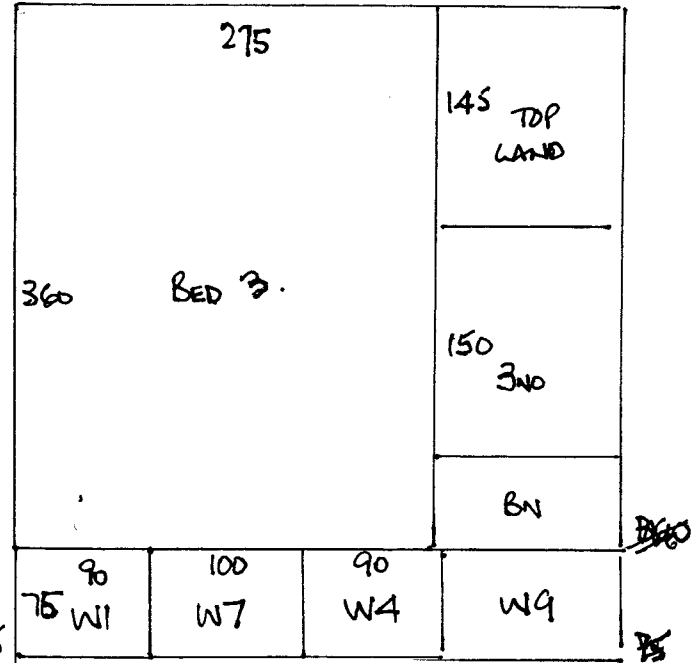
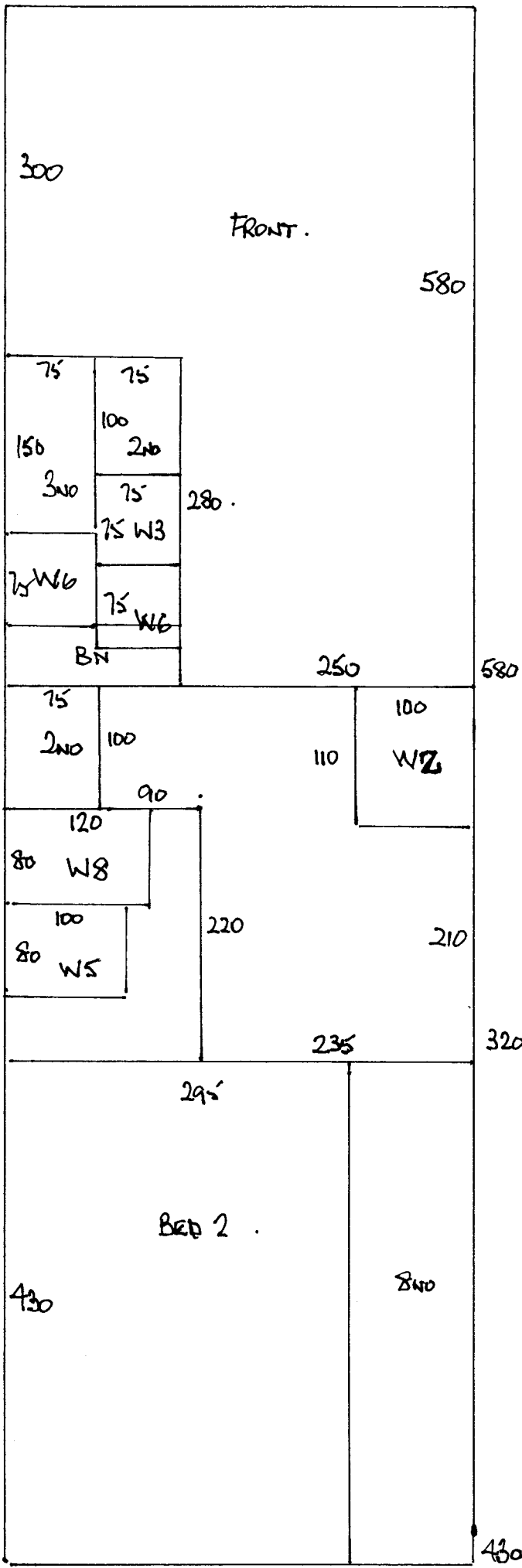




R16236  
 SMALL  
 48 STANTON RD  
 SW20

2 2.



CUTS: 580 x 400  
 320 x "  
 430 x "  
 360 x "  
 75 x "  
 17.65 x 4.00 = 70.60 m<sup>2</sup>

Rooms. 41.50.  
 LIS 30.00.