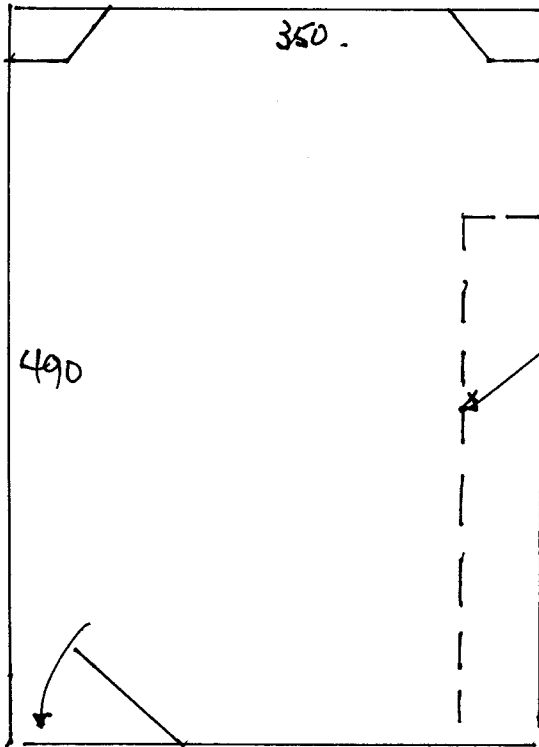


EXISTING CRT/ULAY. UPJUST.
FURN.
EXISTING WOOD THRESHOLD.

R16281
LINDA WILLIAMS
17 ORCHARD RISE
KT2.

1 1

BEDROOM.



LINE OF NEW UNITS.
GRIPPER R'OD.

$$360 \times 500 = 18m^2.$$