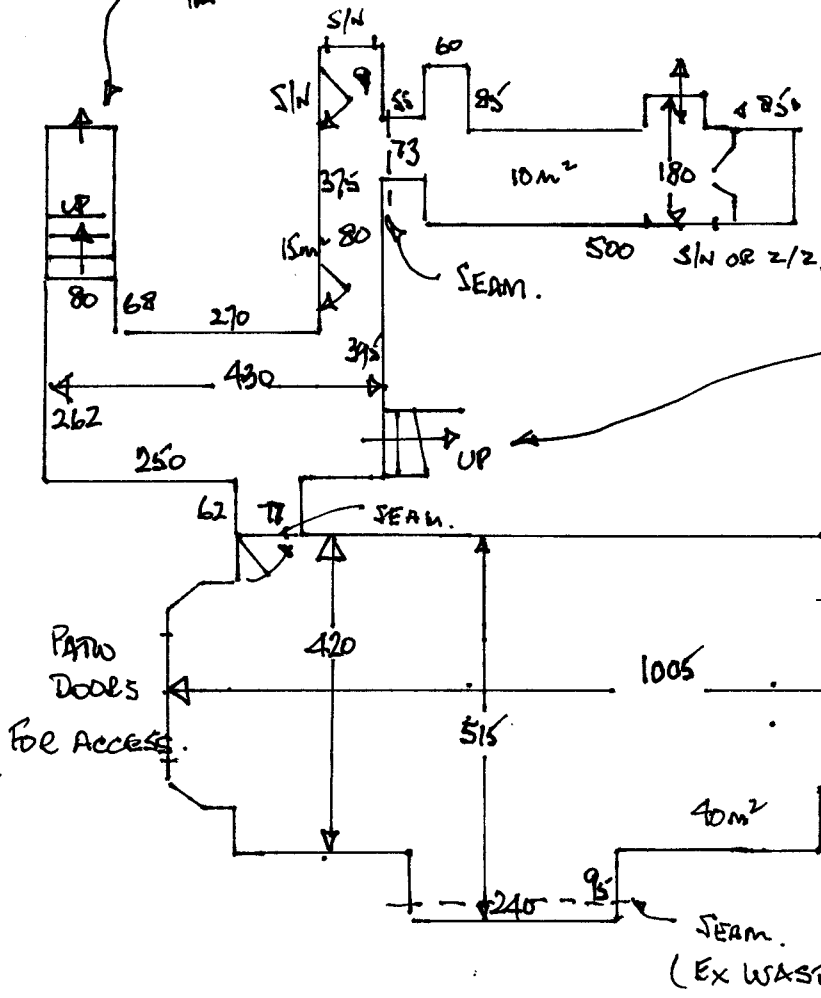


R16233
 WOOLDRIDGE
 38 WOODSIDE
 SW14.

1 2.

LOWER GROUND.

RISER 23 x 79
 11 x 46 x 79
 9m²



33 x 80 + TURN LAR.
 7 x 40 x 76
 W1 50 x 82
 W2 60 x 112 5m².
 W3 80 x 112
 W4 66 x 82
 W5 40 x 102

U/LAY. 74m²
 U

1. SEAM DOORWAY - CINEMA/HALL.

