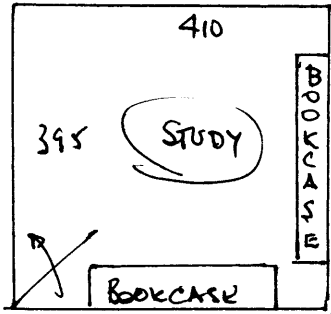


FIT STUDY. TUES. 28 MAY.

R16466.
 WRIGHT/NOTH
 21 THE GRANGE
 SW19.

GROUND.



BOOKCASES FITTED
 ON TOP OF EXISTING.
 CUT AROUND BASES.
 STICK GRIPPER

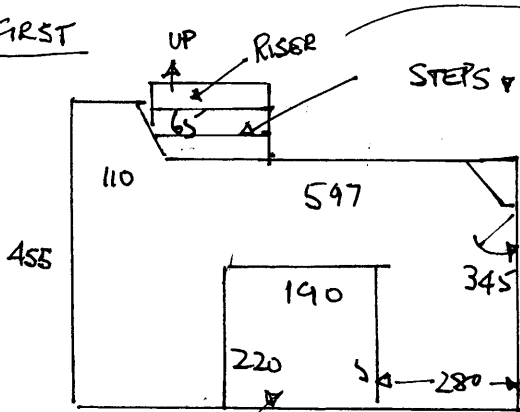
1 1.

$$420 \times 400 = 16.80m^2$$

U/LAY 17m² (DURAFIT)

UPLIFT/DISPOSE

FIRST



STEPS

25 x 132 }
 45 x 132 } EX BED BASE.
 45 x 125 }

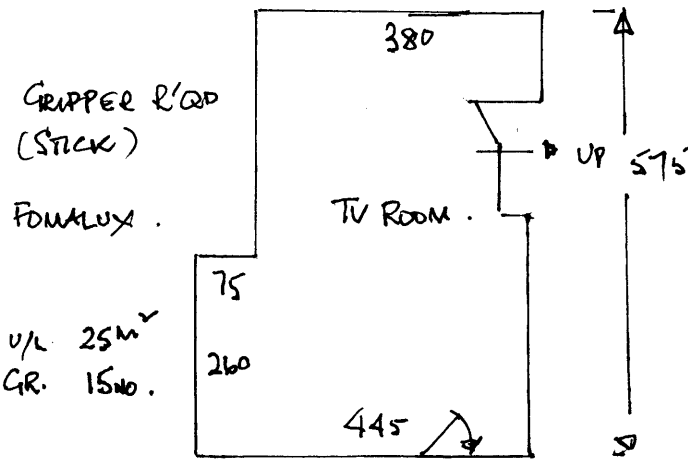
$$605 \times 500 = 30.75m^2$$

U/LAY 24m².

U/D.

BUILT IN BED BASE

LOWER GROUND



$$585 \times 457 = 26.73m^2$$

GRIPPER R/O/D
 (STICK)

FORMALUX.

U/L 25m²
 GR. 15m².

D/N

SOLID BRASS.