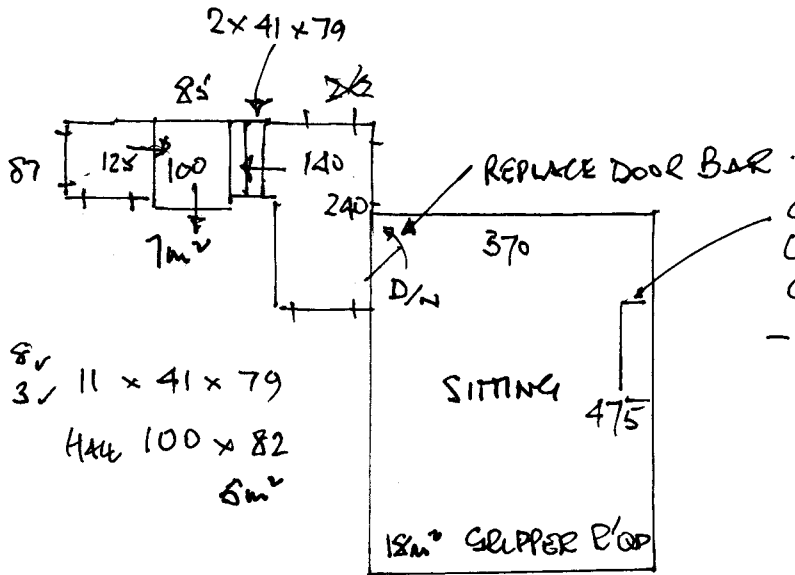


R16119
 YOUNG
 344 CANNON HILL LANE
 SW20.

FIRST FLOOR.

1 2

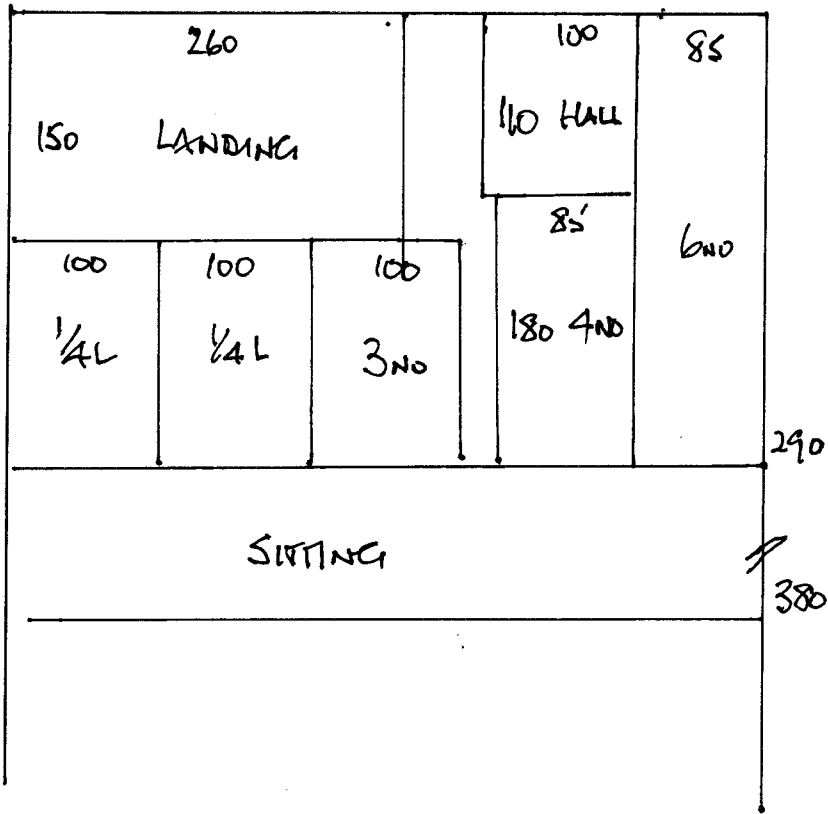


8 ✓
 3 ✓ 11 x 41 x 79
 Hall 100 x 82
 6m²

C/MER TO REMOVE
 QUADRANT. FIT
 CPT TO TILE EDGE
 - NO BARS TO BE USED!!

SOFA TO MOVE
 U/D STAIRS/LAND
 ONLY.

GR. 12NO
 D/W 1NO.
 U/LAY 30m².



R16119
 YOUNG
 344 CANNON HILL RD
 SW 20
 2 2 .