

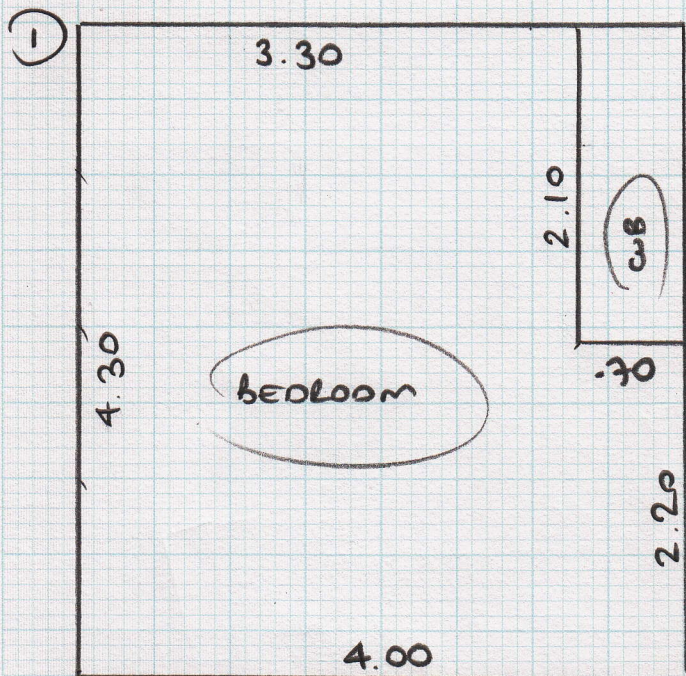
Job No: 526 402

Name: GRUNWALD

Address:

Tel:

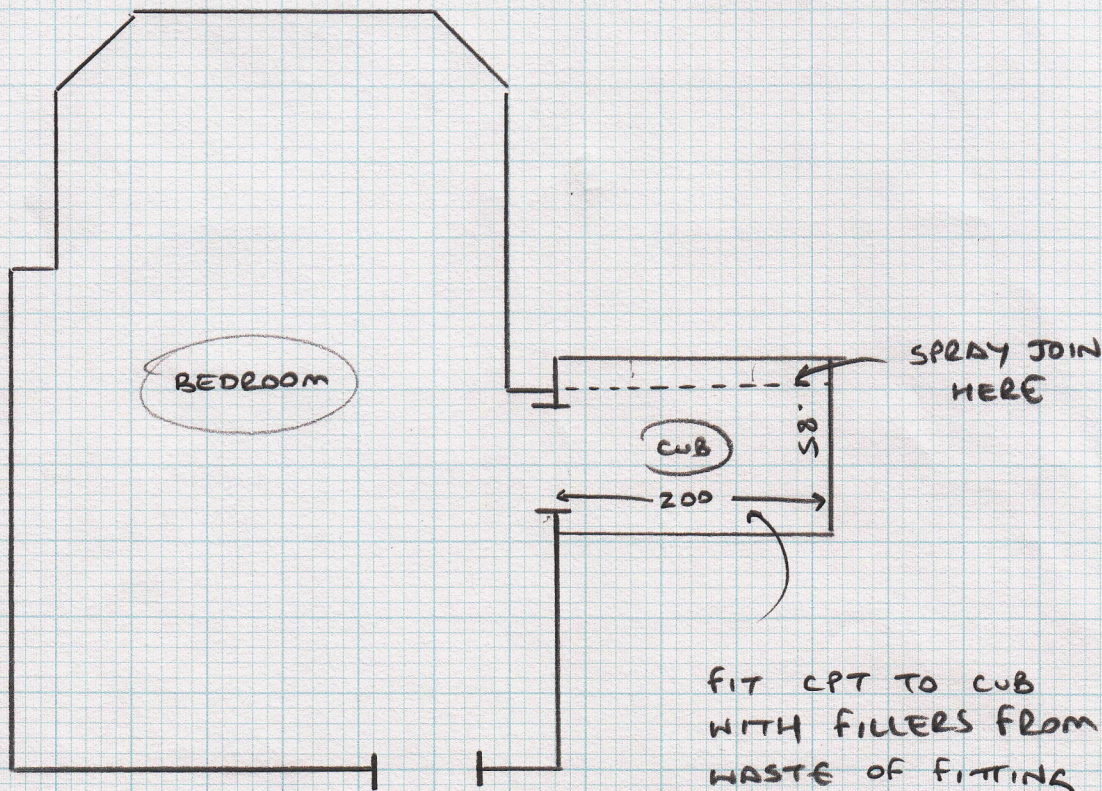
Sheet: 1 of 2



Plan ① 4.30 x 4m

17.2m²

LAYOUT DIAGRAM



Job No: 526402

Name: GRUNWALD.

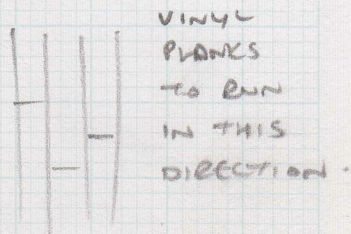
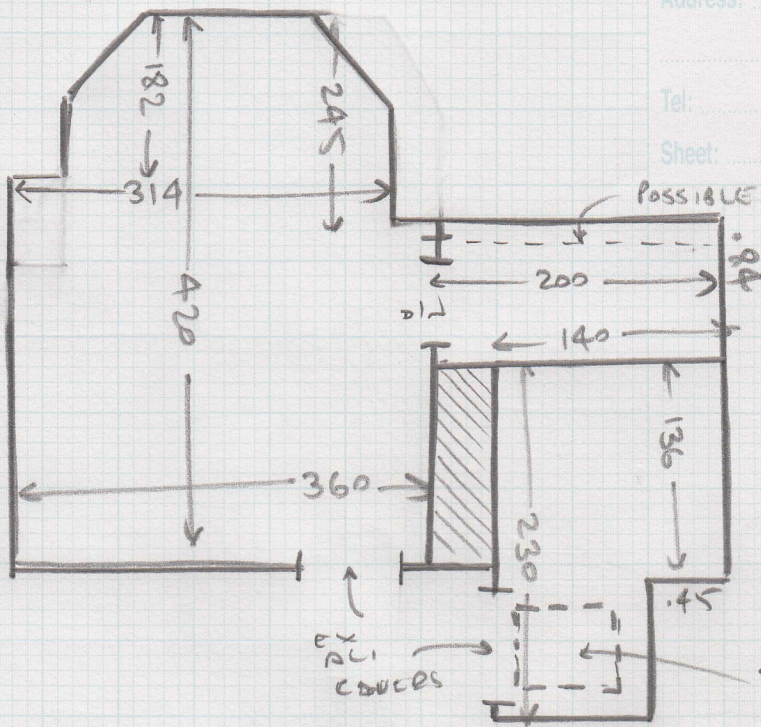
Address:

Tel:

Sheet: 2 of 2

Bedroom

- wood floor
- no uld
- no mlf
- needs sl/e.



Bedroom

- wood floor
- no uld
- needs ply.