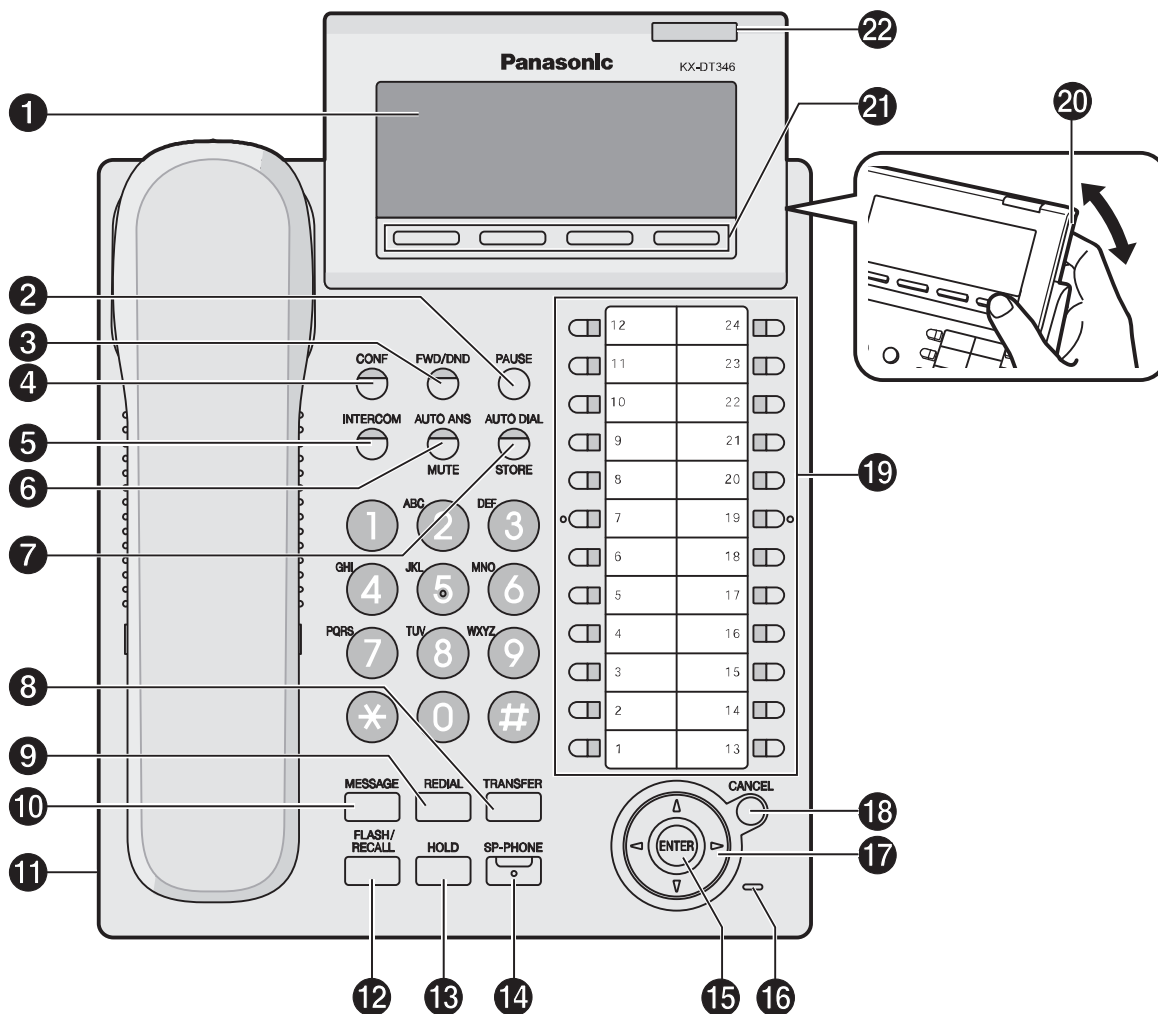


Location of Controls







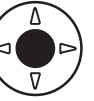





<KX-DT346>

- 1 LCD (Liquid Crystal Display)**
- 2 PAUSE:** Used to insert a pause when storing a telephone number. This button is also used for programming this unit.
- 3 FWD/DND (Call Forwarding/ Do Not Disturb):** Used to set Call Forwarding or Do Not Disturb on your extension.
- 4 CONF (Conference):** Used to establish a multiple party conversation.
- 5 INTERCOM:** Used to make or receive intercom calls.
- 6 AUTO ANS (Auto Answer)/ MUTE:** Used to receive an incoming call in hands-free mode or mute the microphone/handset during a conversation.
- 7 AUTO DIAL/STORE:** Used for System/Personal Speed Dialling or storing programme changes.

Location of Controls

- ⑧ **TRANSFER:** Used to transfer a call to another party.
- ⑨ **REDIAL:** Used to redial the last dialled number.
- ⑩ **MESSAGE:** Used to leave a message waiting indication or call back the party who left the message waiting indication.
- ⑪ **Headset Jack**
- ⑫ **FLASH/RECALL:** Used to disconnect the current call and make another call without hanging up.
- ⑬ **HOLD:** Used to place a call on hold.
- ⑭ **SP-PHONE (Speakerphone):** Used for performing hands-free operations.
- ⑮ **ENTER:** Used to assign the selected item.
- ⑯ **Microphone:** Used for hands-free conversations.
- ⑰ **Navigator Key:** Used to adjust the volume and the display contrast or select desired items.
- ⑱ **CANCEL:** Used to cancel the selected item.
- ⑲ **Flexible Buttons:** Used to seize an outside line or perform a feature that has been assigned to the key.
- ⑳ **LCD Panel:** Can be adjusted to the desired angle.
- ㉑ **Soft Buttons (S1-S4):** S1-S4 (located from left to right) are used to select the item displayed on the bottom line of the display.
- ㉒ **Message/Ringer Lamp:** When you receive an intercom call, the lamp flashes green, and on an outside call, the lamp flashes red. When someone has left you a message, the lamp stays on red.

Settings





Speaker volume	<i>While in a hands-free conversation</i>	
Handset/Headset volume*1	<i>While using the handset or headset</i>	
Ringer volume	<i>While on-hook or receiving a call</i>	Press Up to increase or Down to decrease the volume.
LCD Contrast	<i>While on-hook</i> PAUSE  ► (0) (1) ►  ►  ►  ► PAUSE 	
Ring Tone	PAUSE  ► $\left(\begin{array}{c} \text{CO} \\ \text{OR} \\ \text{INTERCOM} \end{array} \right)$ ► $\left(\begin{array}{cc} (0) & (1) \\ (3) & (0) \end{array} \right)$ ► $\left(\begin{array}{c} \text{DIAL PAD} \\ \text{OR} \\ \text{AUTO DIAL} \\ \text{STORE} \end{array} \right)$ ► PAUSE  <p style="text-align: center;">Press 2 times.</p>	
LCD Backlight*2	<i>While on-hook</i> PAUSE  ► (0) (4) ► $\left(\begin{array}{c} \text{DIAL PAD} \\ \text{OR} \\ \text{AUTO DIAL} \\ \text{STORE} \end{array} \right)$ ► $\left(\begin{array}{l} (0) \text{ Automatic} \\ (1) \text{ Always ON} \\ (2) \text{ Always OFF} \end{array} \right)$ ► $\left(\begin{array}{c} \text{DIAL PAD} \\ \text{OR} \\ \text{AUTO DIAL} \\ \text{STORE} \end{array} \right)$ ► PAUSE 	

*1 If you hear your own voice through the handset or headset, decrease the volume.


















*2 For KX-DT343/KX-DT346 only.

Features List
















Icon Meanings

 = Flexible button
  = Off-hook
  = On-hook
 ○ = Feature number
  = Talk
 C. Tone = Confirmation Tone






















Making Calls

Calling	
To an extension  ► <input data-bbox="305 625 532 678" type="text" value="extension no."/> ► 	To an outside party  ►  ► <input data-bbox="946 625 1247 678" type="text" value="outside phone no."/> ► 
Redial	
 ► REDIAL ► <input data-bbox="329 804 394 856" type="text"/> ► 	
Quick Dialling	
 ► <input data-bbox="305 951 581 1003" type="text" value="quick dialling no."/> ► 	
One-touch Dialling	
To store PAUSE ○ ►  ► ② ► <input data-bbox="565 1161 1011 1213" type="text" value="desired no.* (max. 32 digits)"/> ► AUTO DIAL ○ ► STORE ○ ► PAUSE ○ * Enter outside line access number before outside phone number.	
To dial  ►  (One-touch Dialling) assigned as a One-touch Dialling button ► 	
Personal Speed Dialling	
To store  ► * ③ ① ► <input data-bbox="483 1560 784 1633" type="text" value="personal speed dialling no. (2 digits)"/> ► <input data-bbox="808 1560 1084 1633" type="text" value="desired phone no.* (max. 32 digits)"/> ► # C. Tone ►  * Enter outside line access number before outside phone number.	
To dial  ► AUTO DIAL ○ ► STORE ○ ► * ► <input data-bbox="621 1822 922 1896" type="text" value="personal speed dialling no. (2 digits)"/> ► 	










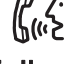




Features List

System Speed Dialling	
To dial	
 AUTO DIAL  STORE	  <div style="border: 1px solid black; padding: 2px; display: inline-block;">system speed dialling no. (3 digits)</div>  
Doorphone Call	
   	 <div style="border: 1px solid black; padding: 2px; display: inline-block;">doorphone no. (2 digits)</div>    

During a Conversation

Call Hold	
To hold	To retrieve a call at the holding extension
HOLD    	  <div style="border: 1px solid black; padding: 2px; display: inline-block;">(CO) / INTERCOM</div>  
To retrieve an outside call from another extension	
  <div style="border: 1px solid black; padding: 2px; display: inline-block;">(CO)</div>  	
Call Transfer	
TRANSFER    <div style="display: inline-block; vertical-align: middle;"> <div style="border: 1px solid black; padding: 2px; display: inline-block; margin-right: 5px;">extension no.</div> To an extension  <div style="border: 1px solid black; padding: 2px; display: inline-block; margin-right: 5px;">(CO)</div>  <div style="border: 1px solid black; padding: 2px; display: inline-block; margin-right: 5px;">outside phone no.</div> To an outside party </div>    	





Useful Features




Multiple Party Conversation	
To add other parties during a conversation (i.e., conference)	
CONF   	<div style="border: 1px solid black; padding: 2px; display: inline-block; margin-right: 10px;">desired phone no.</div>    CONF     <p style="text-align: center;">Talk to the new party.</p> <p style="text-align: center;">Talk with multiple parties.</p>
To leave a conference	
CONF    	

Features List



Setting the Telephone According to Your Needs


Do Not Disturb

 ►    ► [

-  Both Calls
-  Outside Calls
-  Intercom Calls







] ► [

-  Set
-  Cancel

] C. Tone 



Timed Reminder

To set



 ►      ► [


- 12 H
hour/minute
(4 digits)
- 24 H
hour/minute
(4 digits)

] ► [








-  AM
-  PM

] ► [


-  Once
-  Daily

] C. Tone 

To cancel





 ►      C. Tone 




To stop or answer the ring back

INTERCOM / 






Before Leaving Your Desk

Call Forwarding



 ►    ► [


-  Both Calls
-  Outside Calls
-  Intercom Calls

] ► [




-  All calls
-  Busy
-  No answer
-  Busy/
No answer
-  Cancel

] ► [

- extension no. ► 
- OR
- outside line
access no. ► outside
phone no. ► 

] C. Tone 

Making Use of the Voice Mail Service

Listening to a message	
<p>From your own extension</p> <p> ▶ VPS extension no. ▶</p> <p>▶ Mailbox Password* (#)</p> <p>* If you have no password, you can skip the last step. Note: VPS = Voice Processing System</p>	<p>KX-TVM series</p> <ul style="list-style-type: none"> ① Listen to Message ② Deliver Message ③ Mailbox Management ▶ ④ Automated Attendant ⑤ Message Notification ⑥ Other Features ⊗ End Call
<p>From someone else's extension</p> <p> ▶ VPS extension no. ▶</p> <p>▶ (#) ⑥ ▶ ⊗ ▶</p> <p>▶ mailbox no. ▶</p> <p>▶ Mailbox Password* (#)</p> <p>* If you have no password, you can skip the last step.</p>	<p>KX-TVP series</p> <ul style="list-style-type: none"> ① Listen to Message ② Deliver Message ③ Check Mailbox Distribution ▶ ④ Automated Attendant ⑤ Mailbox Management ⑥ Other Features ⊗ End Call
Leaving a message	
<p> ▶ VPS extension no. ▶</p> <div style="border: 1px solid black; padding: 5px; margin: 5px 0;"> <p>From your own extension</p> <p>Mailbox Password* (#)</p> <p>From someone else's extension</p> <p>(#) ⑥ ▶ ⊗ ▶ mailbox no. ▶ Mailbox Password* (#)</p> <p>* If you have no password, you can skip the last step.</p> </div> <p>▶ ② ▶ Enter the desired mailbox number ▶ ② ① ▶ Leave a message ▶ ① ② ▶</p> <div style="border: 1px solid black; padding: 5px; margin: 5px 0;"> <p>To send the message immediately</p> <p>① ② (KX-TVM series)</p> <p>② (KX-TVP series)</p> <p>To set the delivery time</p> <p>① ①</p> </div> <p>▶ Follow the guidance</p>	

Features List

During playback

① Repeat Voice Guidance

* Exit

- Consult your dealer for more details regarding feature numbers.
- It is possible to assign flexible buttons as feature buttons.
- Control panel/button names and descriptions can be found in "Location of Controls" on page 3.

Accessing Features Using the Display

Using the LCD Display

It is possible to access the following directories, logs, and menus by pressing left or right on the Navigator Key while this unit is idle:

Incoming Call Log

Outgoing Call Log

Personal Speed Dialling Directory

System Speed Dialling Directory

Extension Number Directory

Feature Access

Entering Characters

You can enter alphabetic characters and digits using the dialling buttons. Pressing a dialling button repeatedly displays different characters, as shown in the following tables. While entering characters, you can move the cursor with the left and right Navigator keys and delete characters with the TRANSFER button. To toggle between Table 1 and Table 2, press the Soft button (S1) at any time while entering characters. For a list of available characters, refer to the next page.

Accessing Features Using the Display

Table 1 (Standard mode)

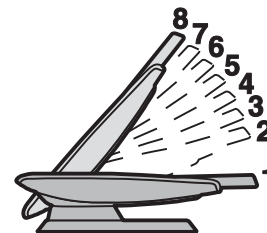
Times Buttons	1	2	3	4	5	6	7	8	9
①	!	?	"	1					
②	A	B	C	a	b	c	2		
③	D	E	F	d	e	f	3		
④	G	H	I	g	h	i	4		
⑤	J	K	L	j	k	l	5		
⑥	M	N	O	m	n	o	6		
⑦	P	Q	R	S	p	q	r	s	7
⑧	T	U	V	t	u	v	8		
⑨	W	X	Y	Z	w	x	y	z	9
⑩	(space)	.	,	'	:	;	0		
✳	/	+	-	=	<	>	*		
#	\$	%	&	@	()	€	£	#

Table 2 (Option mode)

Times Buttons	1	2	3	4	5	6	7	8	9	10	11	12	13	14	15
①	!	?	"	ä	ö	ü	1								
②	A	B	C	a	b	c	À	Á	Â	Ã	Ä	Å	Æ	Ç	2
③	D	E	F	d	e	f	Ð	È	É	Ê	Ë	3			
④	G	H	I	g	h	i	Ì	Í	Î	Ï	4				
⑤	J	K	L	j	k	l	5								
⑥	M	N	O	m	n	o	Ñ	Ò	Ó	Ô	Õ	Ö	Ø	Œ	6
⑦	P	Q	R	S	p	q	r	s	Š	ß	7				
⑧	T	U	V	t	u	v	Û	Ú	Û	Ü	8				
⑨	W	X	Y	Z	w	x	y	z	Ý	Ž	9				
⑩	(space)	.	,	'	:	;	0								
✳	/	+	-	=	<	>	*								
#	\$	%	&	@	()	€	£	#						

Operation Board Angle Adjustment

The angle of the operation board can be set to one of eight angles (level 1 = 0°, level 8 = 45°).



CAUTION:

Hold the operation board until the operation board is secured at the desired angle. Make sure you do not pinch your fingers when raising or lowering the operation board.

To raise:

Gently lift the operation board one level at a time.

To lower:

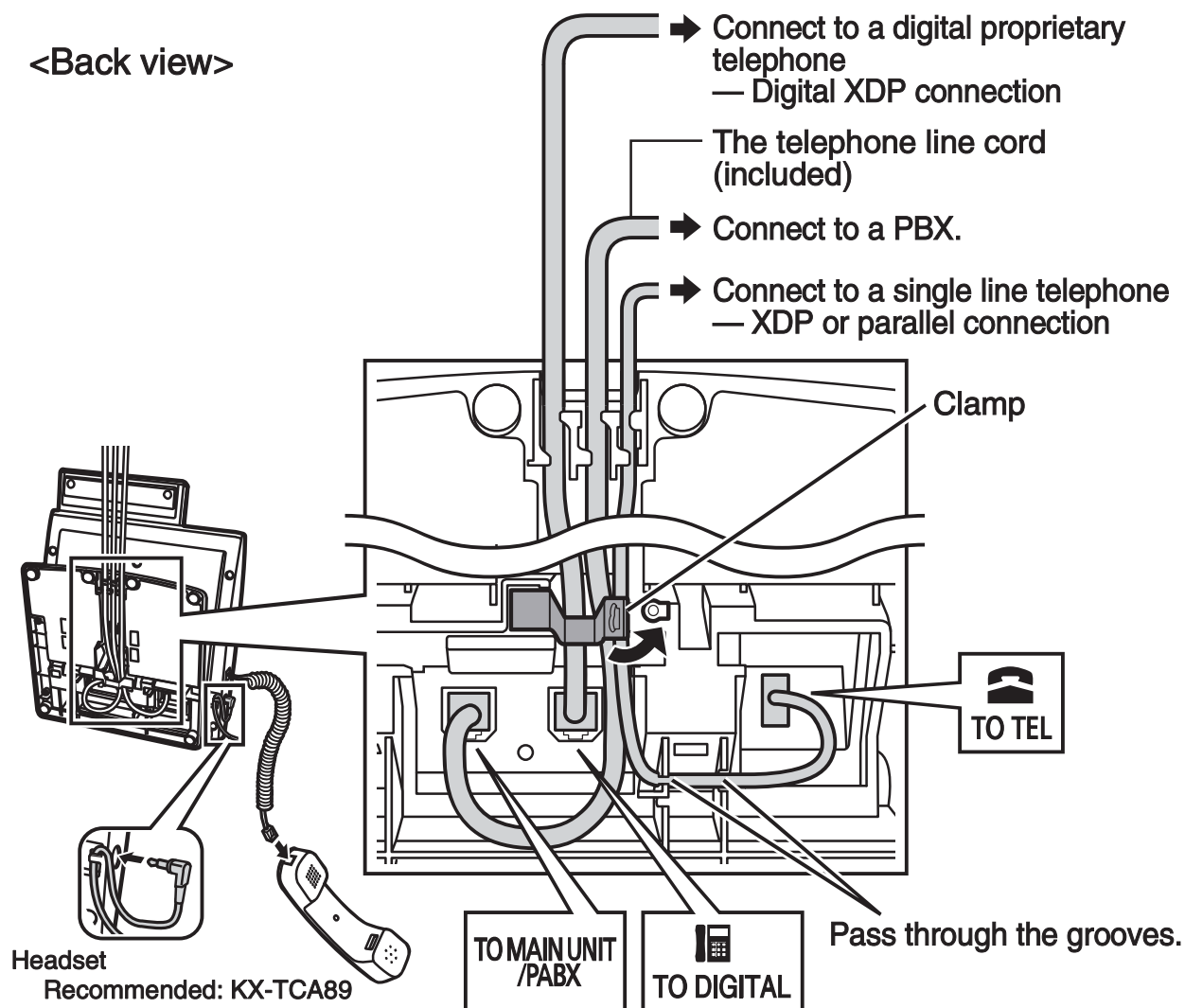
Raise the operation board to level 8. Next, with one hand on the base of the unit, lift the operation board again to release the latch, then slowly push the operation board down to level 1. If the operation board cannot be lowered to level 1, repeat this step.



Locking the Handset Hook

Pull down the handset hook until it locks to prevent the handset from falling off the handset cradle when the unit is mounted to a wall or set at a high angle. To temporarily place the handset down during a conversation, hook it over the top edge of the unit as shown.





- Consult your dealer for more details about XDP and Digital XDP.

CAUTION:

When connecting a headset

- Ensure that the headset cord is wound around the hook to prevent damage to the connector.

When connecting cords

- Ensure the cords are inserted in the grooves, and are clamped to prevent damage to the connectors.

Installing KX-DT301/KX-NT303

CAUTION:

- To prevent damage to the telephone, be sure to unplug the extension line before you set up or remove the KX-DT301 (USB Module) or the KX-NT303 (Add-on 12 Key Module).
- Connect the KX-NT303 first when installing both the KX-DT301 and the KX-NT303.

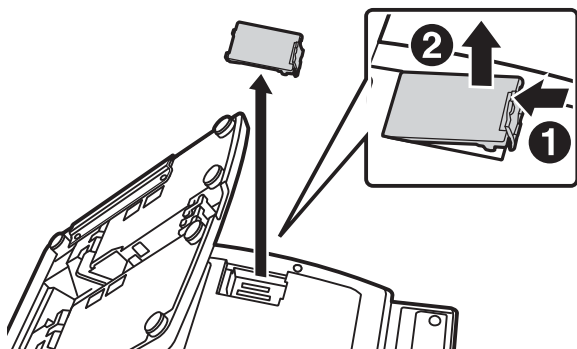
KX-NT303

The Add-on 12 Key Module allows 12 additional flexible buttons to be added to this unit. These buttons are used to seize an outside line, make a call using One-touch Dialling, or perform a feature that has been assigned to the key.

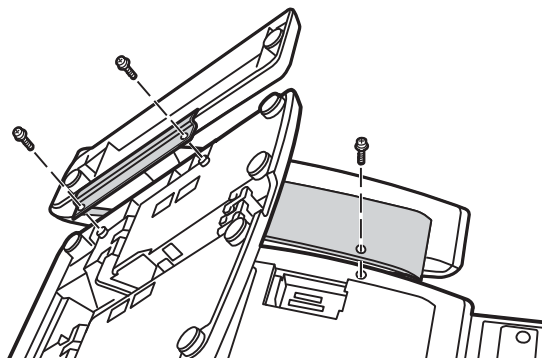


<with a KX-DT346>

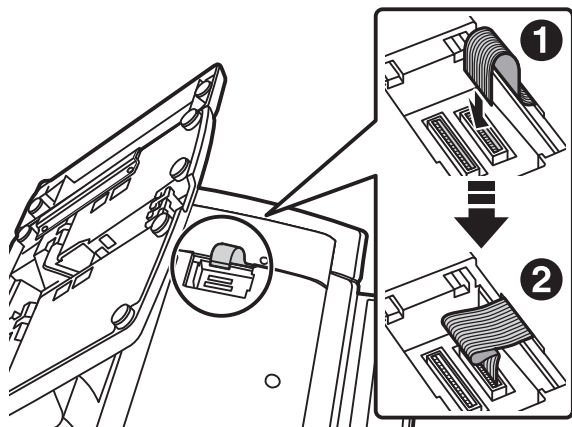
1. Open the cover.



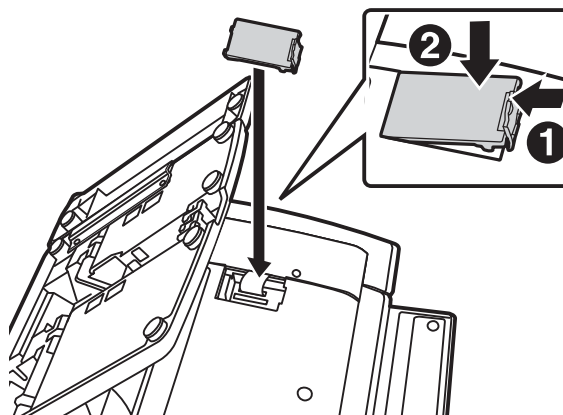
2. Attach the KX-NT303 to your unit with the screws (included with KX-NT303).



3. Plug the flat cable into the connector (1), then bend the cable slightly as shown (2).



4. Close the cover.

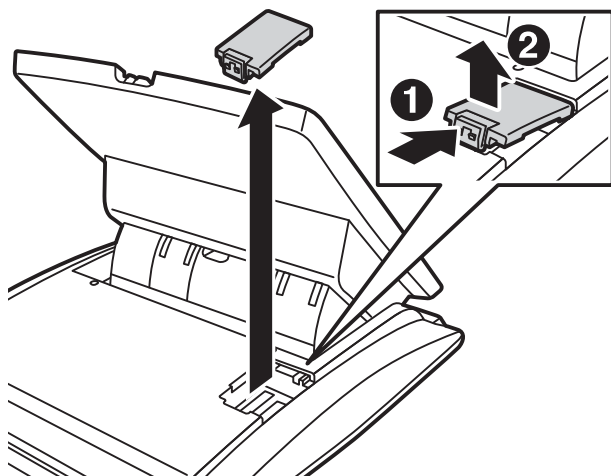


Installing KX-DT301/KX-NT303

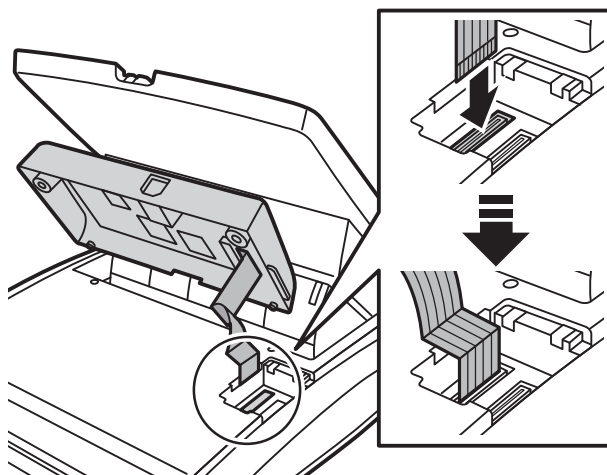
KX-DT301

The USB Module can be connected between the DPT and the personal computer through USB interface to implement personal CTI (Computer Telephony Integration).

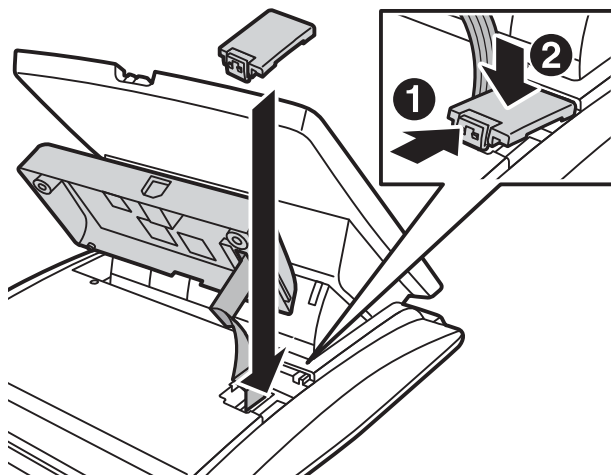
1. Open the cover.



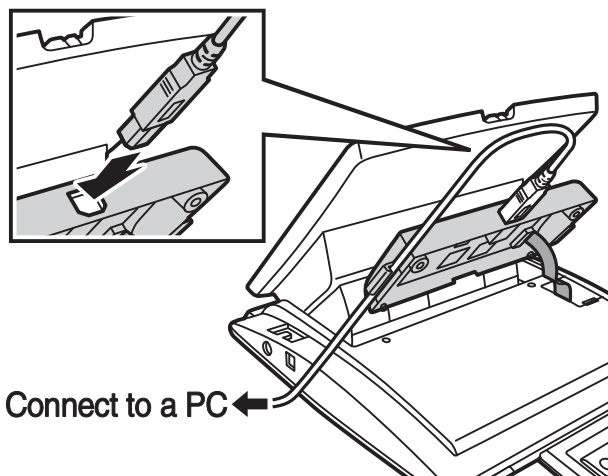
2. Plug the flat cable into the connector as shown.



3. Close the cover.



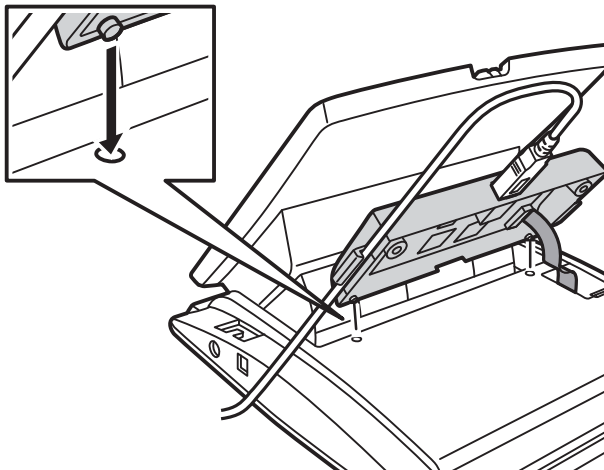
4. Connect the USB cable to the USB port.



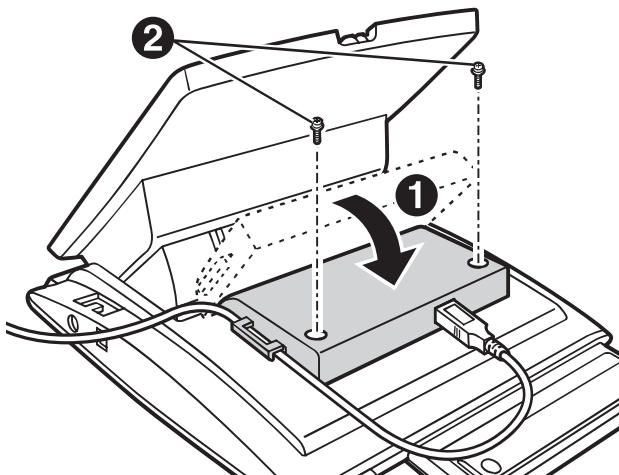
- Ensure that the USB cable goes through the cable guide.
- Please use a USB cable shorter than 3 m.

Installing KX-DT301/KX-NT303

- 5.** Insert the protrusions on the KX-DT301 into the 2 holes in the unit.



- 6.** Attach the KX-DT301 to your unit with the screws (included with KX-DT301).



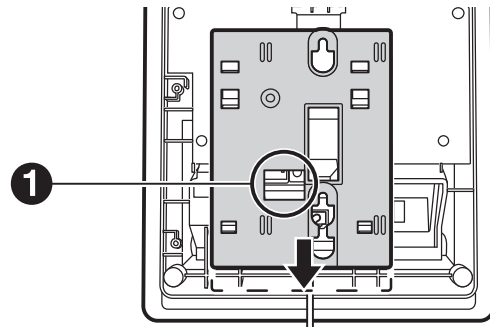
- 7.** Install the USB driver. Refer to Installation Manual on the CD-ROM included with KX-DT301.

Wall Mounting

1. Remove the wall mounting adaptor from the unit as shown.

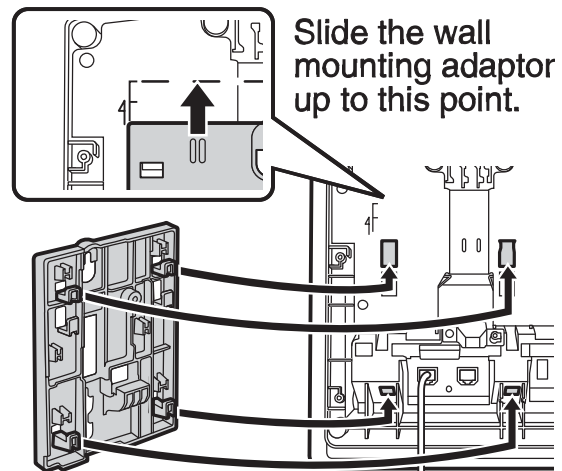
2. Set the operation board to level 1, then connect and secure the telephone line cords.

- The cords can also be run from the top of the unit (page 13).



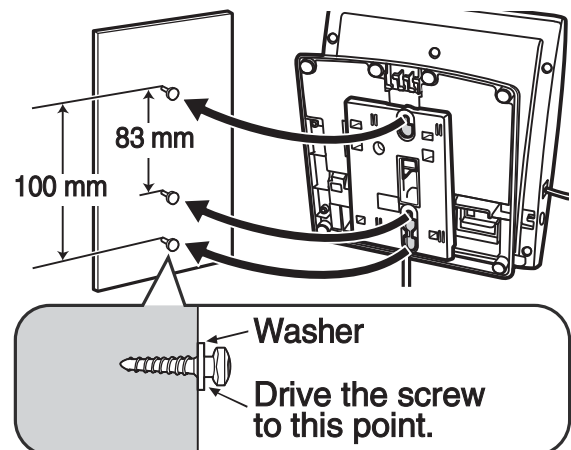
3. Attach the wall mounting adaptor as shown.

- Make sure the cords are not pinched by the wall mounting adaptor. When running the cords from the top of the unit, look through the opening in the wall mounting adaptor (1) to confirm that the cords are not being pinched.



4. Drive the 2 screws (included) into the wall either 83 mm or 100 mm apart, and mount the unit on the wall.

- You can find a wall mounting template on page 23.
- Make sure that the wall that the unit will be attached to is strong enough to support the unit (approx. 1.65 kg).
- Make sure the cords are securely fastened to the wall.
- When this unit is no longer in use, make sure to detach it from the wall.



- For information on locking the handset hook, refer to page 12.

Important Information

When using KX-DT300 series DPTs, keep the following conditions in mind.

- If you are having problems making calls, unplug the extension line and connect a known working telephone. If the known working telephone operates properly, have the defective telephone repaired by an authorised Panasonic factory service centre. If the known working telephone does not operate properly, check the PBX and the internal extension wiring.
- Wipe the unit with a soft cloth. Do not clean the unit with abrasive powders or with chemical agents such as benzene or thinner.
- Use only the correct Panasonic handset.
- Do not disassemble this unit. Dangerous electrical shock could result. The unit must only be disassembled and repaired by qualified service technicians.
- If damage to the unit exposes any internal parts, immediately disconnect the cable or cord.
- Never attempt to insert wires, pins, etc. into the vents or other holes of this unit.
- This unit is designed to aid the visually handicapped to locate dial keys and buttons.
- This unit is designed to be installed under controlled conditions of ambient temperature and a relative humidity.
- Avoid installing the unit in damp or humid environments, such as bathrooms or swimming pools.
- 999 and 112 can be dialled on the product after accessing the outside line for the purpose of making outgoing calls to the BT emergency (999) and (112) services (United Kingdom only).

Take special care to follow the safety suggestions listed below.

Installation

Environment

- 1) Do not use this unit near water, for example, near a bathtub, washbowl or sink. Damp basements should also be avoided.
- 2) Keep the unit away from heating appliances and devices that generate electrical noise, such as fluorescent lamps, motors and televisions. These noise sources can interfere with the performance of the unit. It also should not be placed in rooms where the temperature is less than 5 °C or greater than 40 °C.

Placement

- 1) Do not place heavy objects on top of this unit.
- 2) Care should be taken so that objects do not fall onto, and liquids are not spilled into, the unit. Do not subject this unit to excessive smoke, dust, moisture, mechanical vibration, shock or direct sunlight.
- 3) Place the unit on a flat surface.

WARNING:

TO PREVENT POSSIBLE FIRE OR ELECTRIC SHOCK, DO NOT EXPOSE THIS UNIT TO RAIN OR MOISTURE.

THIS HANDSET EARPIECE IS MAGNETISED AND MAY RETAIN SMALL FERROUS OBJECTS.

THE USE OF EXCESSIVE SOUND VOLUME THROUGH EARPHONES, HEADPHONES, OR HEADSETS MAY CAUSE HEARING LOSS.

DISCONNECT THE TELEPHONE LINE CORD FROM THIS PRODUCT IF THIS PRODUCT EMITS SMOKE, AN ABNORMAL SMELL OR MAKES UNUSUAL NOISE. THESE CONDITIONS CAN CAUSE FIRE OR ELECTRIC SHOCK. CONFIRM THAT SMOKE HAS STOPPED AND CONTACT AN AUTHORISED SERVICE CENTRE.

IMPORTANT NOTICE:

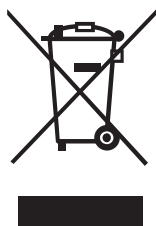
- Under power failure conditions, the DPT may not operate. Please ensure that a separate telephone, not dependent on local power, is available for use in remote sites in case of emergency.

This unit is capable of being used in conjunction with hearing aids fitted with inductive coil pick-ups. The handset should be held as for normal conversation. For operation, the hearing aid should be set to its "T" position or as directed in the operating instructions for the hearing aid.



Important Information

Information for Users on Collection and Disposal of Old Equipment and used Batteries



These symbols on the products, packaging, and/or accompanying documents mean that used electrical and electronic products and batteries should not be mixed with general household waste.

For proper treatment, recovery and recycling of old products and used batteries, please take them to applicable collection points, in accordance with your national legislation and the Directives 2002/96/EC and 2006/66/EC.

By disposing of these products and batteries correctly, you will help to save valuable resources and prevent any potential negative effects on human health and the environment which could otherwise arise from inappropriate waste handling.

For more information about collection and recycling of old products and batteries, please contact your local municipality, your waste disposal service or the point of sale where you purchased the items.

Penalties may be applicable for incorrect disposal of this waste, in accordance with national legislation.

For business users in the European Union

If you wish to discard electrical and electronic equipment, please contact your dealer or supplier for further information.

Information on Disposal in other Countries outside the European Union



These symbols are only valid in the European Union. If you wish to discard these items, please contact your local authorities or dealer and ask for the correct method of disposal.

Note for the battery symbol (bottom two symbol examples):



This symbol might be used in combination with a chemical symbol. In this case it complies with the requirement set by the Directive for the chemical involved.

CE 1731

This product is intended to be connected to a Panasonic PBX only. Panasonic Communications Company (U.K.) Ltd. declares that this equipment is in compliance with the essential requirements and other relevant provisions of Radio & Telecommunications Terminal Equipment (R&TTE) Directive 1999/5/EC.

Declarations of Conformity for the relevant Panasonic products described in this manual are available for download by visiting:

<http://www.doc.panasonic.de>

Contact to Authorised Representative:
Panasonic Testing Centre
Panasonic Marketing Europe GmbH
Winsbergring 15, 22525 Hamburg, Germany

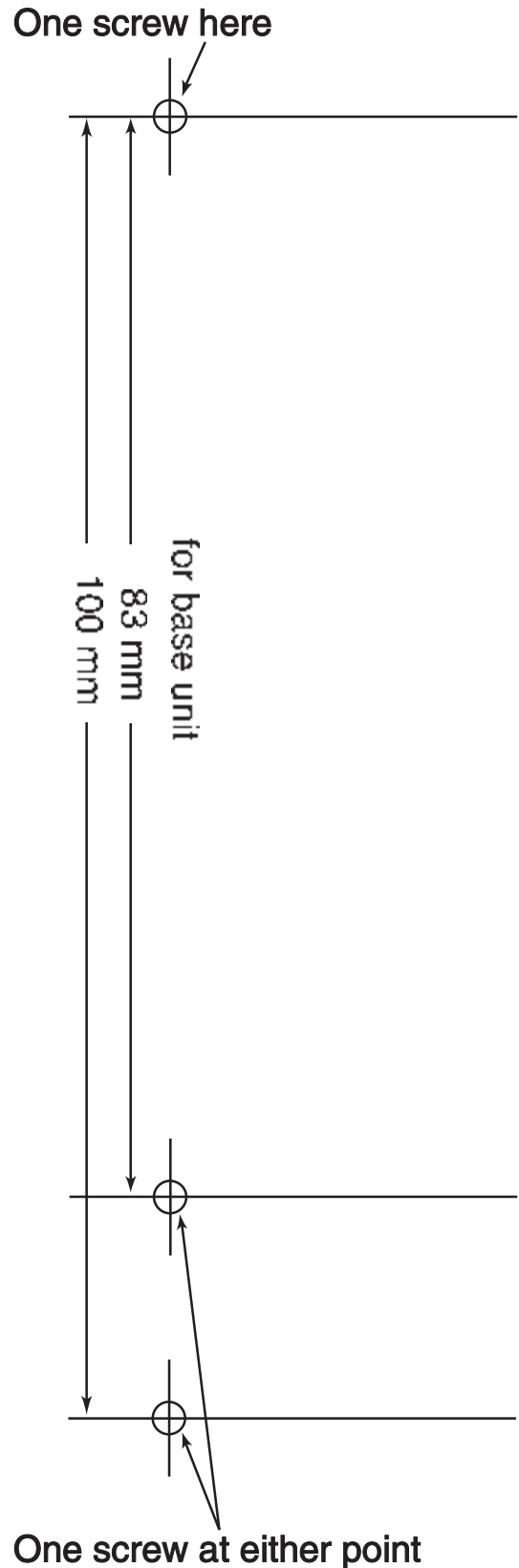
Note

WALL MOUNTING TEMPLATE

1. Drive the screws into the wall as indicated.
2. Hook the unit onto the screw heads.

Note:

Make sure to set the print size to correspond with the size of this page. If the dimensions of the paper output still deviate slightly from the measurements indicated here, use the measurements indicated here.



Panasonic Business Systems U.K.
Panasonic House, Willoughby Road, Bracknell,
Berkshire RG12 8FP

Copyright:

This material is copyrighted by Panasonic Communications Co., Ltd., and may be reproduced for internal use only. All other reproduction, in whole or in part, is prohibited without the written consent of Panasonic Communications Co., Ltd.

© 2008 Panasonic Communications Co., Ltd. All Rights Reserved.

PSQX4679ZA-GQ KK0708YH0 (UK)