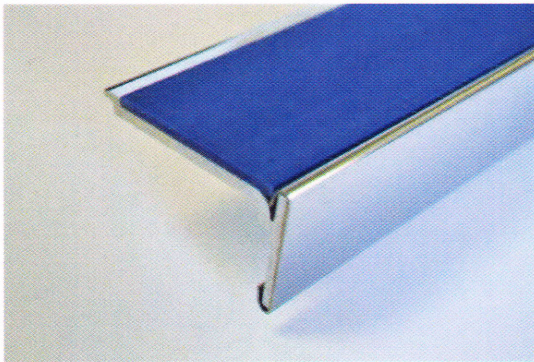
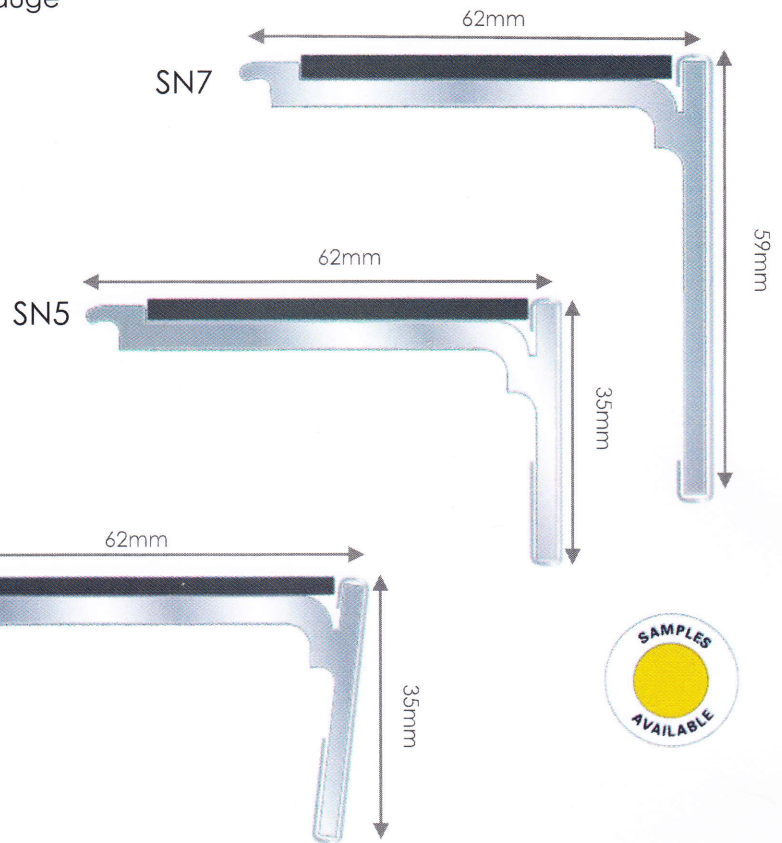


www.thecatweb.com

### Stair Nosings with Stainless Steel Feature Covering



5mm gauge



#### Description

Aluminium extrusion profiles  
Stainless Steel covering

#### Finishes Available

Bright Polished  
Brushed Satin

#### Cut Sizes

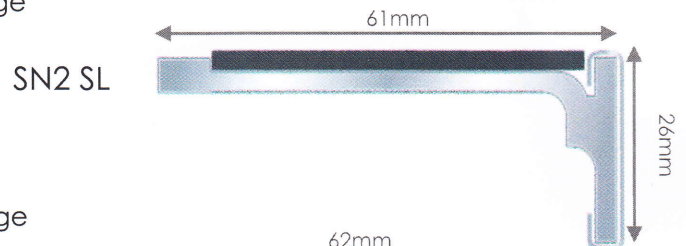
Stair Nosings are available in cut sizes to a maximum length of 2.0m

#### Installation Methods

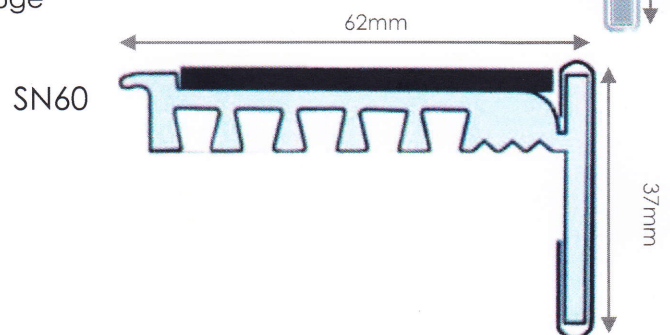
- Pre Drilled with concealing plugs supplied for hidden fixing
- Aluminium carrier pre drilled and infill retro fixed after nosing installation to tread
- Undrilled

Always use a suitable adhesive in conjunction with screw fixings

3.5mm gauge



8.0mm gauge



#### Data

Aluminium alloy to BS EN755  
Part 1.2 and 9 : 2008

Stainless Steel BS EN10088 PT2 2005

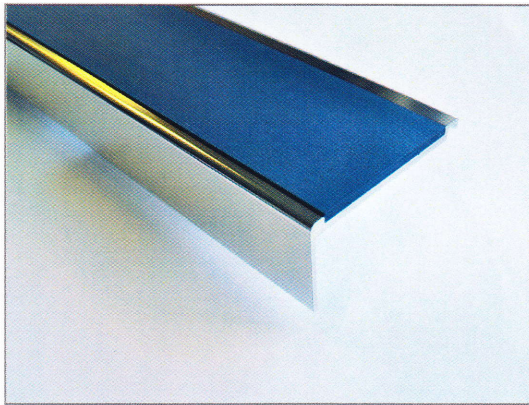
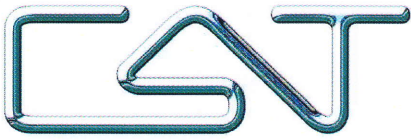
PVC to BS 6746 : 1990

#### Infill Colours Available



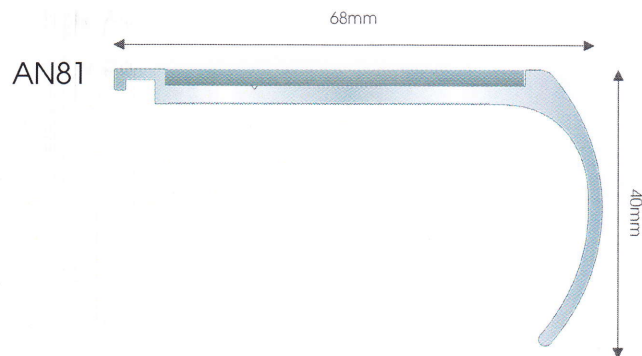
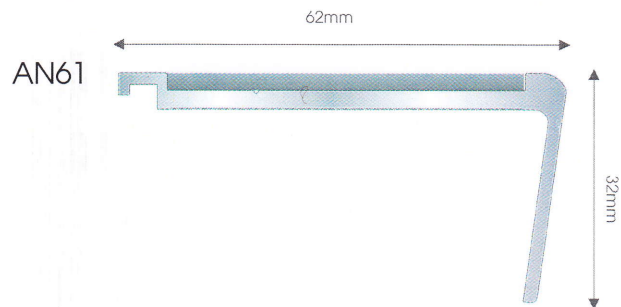
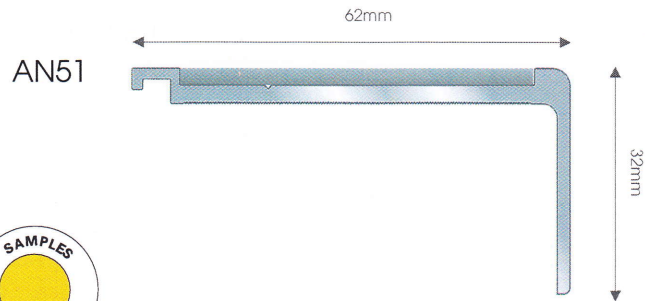
Colours depicted are representative only and are subject to printing interpretations.

#### CONTACT CAT



### Aluminium Stair Nosings with PVC Infills

5mm gauge



#### Installation Methods

- Pre Drilled with concealing plugs supplied for hidden fixing
- Aluminium carrier pre drilled and infill retro fixed after nosing installation to tread
- Undrilled

Always use a suitable adhesive in conjunction with screw fixings

#### Finishes Available

Mill Aluminium  
Satin Aluminium  
Polished Aluminium

#### Cut Sizes

Stair nosings are available in sizes to a maximum length of 3.2 metres

For further information, technical advice or samples, please contact CAT sales.

#### Data

Aluminium alloy to BS EN755 part 1.2 and 9 : 2008

PVC to BS 6746 : 1990

#### Infill Colours Available



Please note colours depicted are representative only and are subject to printing interpretations.

CONTACT CAT