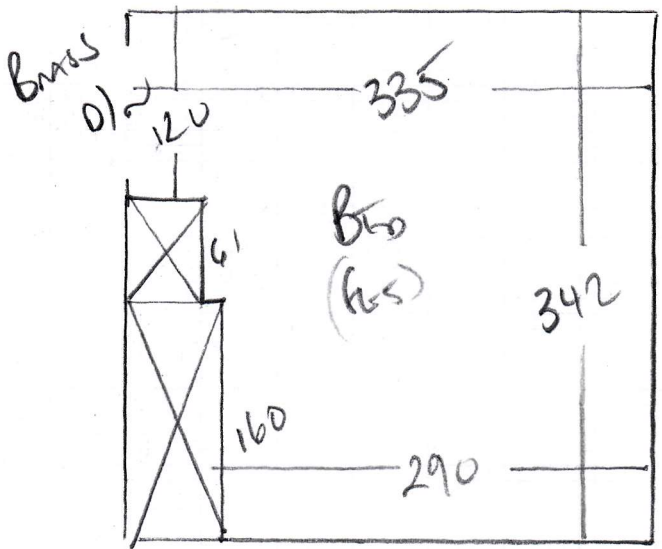


R 18288
 BAREHAM
 16 HENRI ROAD
 SW19 8PP

Bedroom - 1st Floor Middle



NATURAL LIGHT

COLOR _____

355 x 366m (13m²)

OR

NAPLES

COLOR _____

355 x 400m (142m²)

Painted Wood floorboards - NO LIGHT
 BRASS D1 THAT REQUIRED TO REMOVE EXIST BRASS SINGRE (SOLID BRASS)
 FURNITURE - MINIMAL (f65)

Mrs Katie Bareham, 16 Effra Road

Date of Measure: Thu, 19 Dec 19

At: 11.30am

Site Address:

16 Effra Road
Wimbledon

LONDON

SW19 8PP

CONTACT: As customer details

Mobile	Home	Office
07836-250134		

Customer Address:

16 Effra Road
Wimbledon
LONDON

SW19 8PP

Email:
katiebareham@gmail.com

Areas to be done and Description of Measure

bedroom to match Westex Natural Loop col Chinchilla (discontinued)

2 REQUESTED SAMPLES of
 £51.15 NATURAL LOOP CABLE - CHROME + FURROW
 USS 10% from Arisen D WATKIN 19/12/19
 ALSO SENT NATIES NAP-R02 +
 £18.25ⁿ² NAP-R03
 USS 10% from MANILONE DLT 19/12/19

Instructions and Estimators comments

Not entered

Must Read!

Not entered

Office Ref: R18288

Mrs Katie Bareham, 16 Effra Road

Date of Measure Thu, 19 Dec 19

At 11.30am

Floor: Wood / Concrete / other _____

S/edge: Wood/Concrete/No pin/existing (if existing, allow ___ sticks to supplement where necessary)

Sticking Req'd: Yes/ No Type: Fastset/Other

Underlay: Re-use Existing / New required

Type: 42oz Felt / Fomalux / PU Foam / Luxury PU Foam / LowTog / Durafit

Doorbars: Alloy / Satin Ali / Polished Ali / Anod / Solid Brass / Chrome / Nisheen
Seam/Wood/T/Holds: colour _____

Door Clearance: OK / Low (advise on quote)

Uplift: No / Yes (if "Yes" - what type?) _____

Furniture: No/ Yes (if YES, please specify the following) - 1 man / 2 men (Fitter to get paid) £ 5 total/per room

Parking Cost: Free / £ 160 per hour

Parking Restrictions: (type) / £ Kind 60

Congestion Zone: No / Yes

Access: Easy / Hard / 2 men req'd / 1st floor?

Runners: Whipping / Binding (if binding, specify type)

Tape size: 1½" / 2" / 3" / 5"

Style: Top taping / Side binding

Stairrods: Type _____ Nr _____ Size _____

LEAVE ANY LARGE BITS
OF WASTE ON SITE FOR
CUSTOMER TO MAKE
WHIPPED MATS?

Must Read: Not entered

Office Ref: R18288