

GRADUS

Stair Edgings – Installation Guidelines

Contents

Data Sheet: (Page 1 of 12) 01.12.15

Introduction	Page 2
Gradus Grip – Adhesive Only Fixing – XT, Traditional, Elite and Trans-Edge TEX Stair Edgings	Page 3
Adhesive Only Fixing – CXT Stair Edgings.....	Page 7
Adhesive Only Fixing – Flexible PVC Stair Edgings	Page 8
Mechanical & Adhesive Fixing – XT & Traditional Stair Edgings.....	Page 9
Mechanical & Adhesive Fixing – Elite Stair Edgings	Page 11
Mechanical & Adhesive Fixing – Gradus Trans-Edge TEX Stair Edgings	Page 12

Stair Edgings – Installation Guidelines

Introduction

Data Sheet: (Page 2 of 12) 01.12.15

This installation guide provides information about how to install each different type of Gradus stair edging, including Gradus Grip (adhesive only) and mechanical and adhesive fixing.

It is important to locate the stair edging's product code and match it to the relevant section below.

More than one installation method may be applicable to certain profiles – in this instance it is the installer's responsibility to choose the most appropriate method.

Failure to adhere to the correction installation method provided may void the product's warranty.

Stair Edgings – Installation Guidelines – Gradus Grip (Adhesive Only Fixing)

XT, Traditional, Elite & Trans-Edge TEX Stair Edgings

Data Sheet: (Page 3 of 12) 01.12.15

Before use please ensure you read the latest copy of the Health & Safety sheet and Product Data sheet for Gradus Grip, located at www.gradusworld.com

These installation guidelines apply to the following Gradus profiles:

XT Aluminium

ADXT1, ADXT2, ADXT3, ADXT4, AKRXT52▲, AKVXT1R■, AKXT50A▲, AKXT52, AKXT5A, ARXT81, ARXT81R▲, ASRXT12▲, ASVXT1R■, ASXT11, ASXT12, ASXT20▲, GRXT81, GXT11, GXT12, GXT51, GXT52

XT PVC-u Hardnose

DDXT1, DDXT2, DDXT3, DDXT4, RXT311, RXT351, RXT511, RXT521, RXT525, RXT551, RXT581, RXT711, RXT751, RXT781

Traditional Aluminium

ADM1, ADM2, ADM3, ADM4, ADM5▲, ADM6▲, AK5, AK50A▲, AK52, AK5A, AR10, AR3, AR32, AR7, AR81, AR8, AS1, AS10▲, AS11, AS12, AS19, AS2, AS20▲, AS21, CA71 (see Page 5), CT52, CT71, CT712, CT717, CT727, CT75, CT78, G11, G12, G317, G32, G33, G332, G41, G51, G52, G54, G65, G72, GR12, GR37, GR61, GR62, GR8, GR81, GR91, HD1, HD2, HE1, HE2, HM1, PG1, PG2, SD1, SD2, SE1, SE2, SM1

Trans-Edge TEX

TEX11, TEX11R▲, TEX51, TEX51R▲, TEXE1, TEXN11▲, TEXN51▲, TEX2R, TEX3R

Traditional PVC-u Hardnose

DDA1, DDA2, DDA3, DDA4, MR511, MR551, MR581, MR711, MR751, MR781, RN311, RN351, RN511, RN527, RN551, RN581, RN711, RN727, RN751, RN781, RNRC511▲

Traditional Bronze

BAR3, BAS1, BAS11, BAS20▲, BC717, BC78, BG511, BG532, BG551, BGR121

Traditional Chrome

GC11, GC317, GC51, GCR81

Elite Aluminium*

EAR 11 40▲, EAR 31 30▲, EAR 31 50▲, ELA 11 40, ELA 1155 50, ELA 117 50, ELA 12 40, ELA 127 40, ELA 31 40, ELA 32 40, ELA 51 40, ELA 5155 50, ELA 517 50, ELA 52 40, ELA 72 40, ELA 81 50

Elite Bronze*

ELB 11 40, ELB 31 40

- NOTE:**
- The **Elite Aluminium and Elite Bronze stair edgings** detailed above can be fixed using Gradus Grip, however the inserts must only be installed once the adhesive bond for the channel has fully cured. Follow the installation instructions below to install the channel with Gradus Grip. To fit the insert, the ambient temperature must be above 18°C. Ensure that the insert is cut 5mm (min) oversize for each metre of channel. Starting at one side fit the insert, then move to the opposing side and begin to fit. Chase and lose any excess back into the middle of the profile.
 - ▲ Ramp back profiles (AKRXT52, AKXT50A, ARXT81R, ASRXT12, ASXT20, RNRC511, ADM5, ADM6, AK50A, AS10, AS20, TEX11R, TEX51R, TEXN11, TEXN51, EAR 11 40, EAR 31 30, EAR 31 50, BAS20, TEX2R and TEX3R) can be installed directly on to the substrate where floorcoverings are not used. When used with resilient or hard flooring, ramp profiles should be installed on top of the floorcovering and suitable mechanical fixings* should also be used in addition to Gradus Grip. Ramp back profiles must **NOT** be installed on top of any type of textile floorcovering. (*see mechanical and adhesive fixing instructions for further information).
- Profiles other than ramp-back profiles should be installed directly onto the substrate and **NOT** on top of any floor covering. The floor covering should be abutted up to the back edge of the profile.
- If using the AKVXT1R or ASVXT1R profiles – fit the 2mm resilient floorcovering on the tread prior to installing the stair edging, allowing sufficient cover for the floorcovering to be trapped under the rear ramped edge of the profile, but still leaving sufficient area for the stair edging base to be fitted directly to the tread without interference with the leading edge of the floorcovering.

Stair Edgings – Installation Guidelines – Gradus Grip (Adhesive Only Fixing)

XT, Traditional, Elite & Trans-Edge TEX Stair Edgings

Data Sheet: (Page 4 of 12) 01.12.15

Installation

1. Surface Preparation

Prior to application ensure that all surfaces are smooth, sound, clean and free of laitance, dust and contamination. If a levelling compound or repair mortar is required ensure that the manufacturer's instructions are followed to ensure the material is ready to provide a strong surface. The product to be adhered should also be clean and free from contamination such as oil, grease etc. that may impair adhesion.

Suitable Substrates:*	Non-suitable Substrates:
Electroplated Metal	Weak, friable, dusty concrete/ screed etc.
Concrete / Powerfloat	Asphalt / Bitumen
Floor Smoothing Compounds	Polyethylene / Polypropylene
Repair Mortars (Cement and Epoxy)	Oil / grease contaminated surfaces
Terrazzo / Marble / Ceramics / Engineering Brick	
Fibre Glass	
Plywood / OSB / Chipboard / MDF / Wood	
Plaster / Plaster Board	
Paint/ Epoxy / PU Coatings and Screeds	

*This table is a guide only and you may encounter different substrates and other factors that will affect the suitability such as undulations, flaking paint or weak plaster.

2. The riser material should be installed prior to fitting the profile and should be cut to finish flush or slightly short of the tread.

Important: For XT profiles, ensure the riser material is cut at a minimum of 15mm below the top of the riser.

3. Cut the profile to the size required.

4. Gradus Grip Application.

The adhesive should be applied in straight lines (see page 6 – Precautions), parallel to the stair edging, by means of a suitable applicator gun. Fix nozzle and cut the aperture to the required width dependant on application. Apply the adhesive to one surface only and then press the two surfaces together within the open time of the adhesive. The high initial grab and rapid strength gain will generally mean that no mechanical fixings are required.

a. Absorbent Surfaces:

Single channel stair edgings – apply the adhesive to the underside of the stair edging in 5mm wide linear beads beginning 5mm in from the back edge of the profile. A second bead should be applied in the centre of the profile. See Fig.1

Double channel stair edgings (less than 110mm tread size) – As per single channel stair edgings with the addition of a third bead of adhesive approximately 10mm from the front edge. See Fig.2

Multi-channel stair edgings / double channel stair edgings (greater than 110mm tread size) – contact Gradus for further details.

FIG. 1

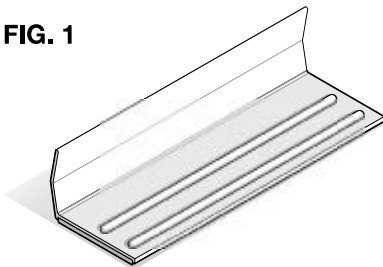
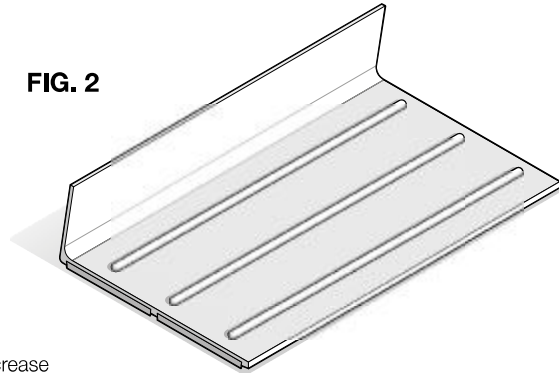


FIG. 2



NOTE: For stair edgings that are castellated it is recommended to increase the thickness of the bead(s) up to 8mm to ensure full adhesion. Allow additional time for the adhesive to cure.

Installation Questions?

Call our Technical Support Team FREE on 0800 021 4534

International: +44 (0)1625 613780

www.gradusworld.com

Stair Edgings – Installation Guidelines – Gradus Grip (Adhesive Only Fixing)

XT, Traditional, Elite & Trans-Edge TEX Stair Edgings

Data Sheet: (Page 5 of 12) 01.12.15

b. Non-Absorbent Surfaces:

When bonding stair edgings to metal substrates or other suitably smooth non-absorbent surfaces first dampen or mist the area with water. Do not leave standing water on the surface. In addition mist the stair edging with water before applying adhesive as described below. This method will accelerate the cure time of the adhesive and allow the area to be opened after a minimum of 2 hours, however the bond strength should be checked to ensure it is safe to open.

Single channel stair edgings – Apply the adhesive to the underside of the stair edging in 3mm wide linear beads beginning 5mm in from the back edge of the profile. A second bead should be applied 10mm from the front edge of the profile and a third bead in the centre of the profile. See Fig.3

Double channel stair edgings (less than 110mm tread size) – Apply the adhesive to the underside of the stair edging in 3mm wide linear beads beginning 5mm in from the back edge of the profile. A second bead should be applied 10mm from the front edge of the profile with an additional 2 beads of adhesive applied equidistant between the inner and outer beads. See Fig.4

Multi-channel stair edgings / double channel stair edgings (greater than 110mm tread size) – Contact Gradus for further details.

FIG. 3

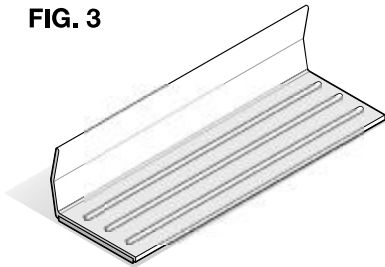
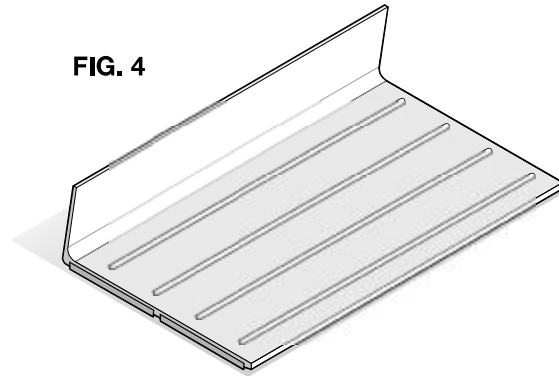


FIG. 4



NOTE: For stair edgings that are castellated it is recommended to increase the thickness of the bead(s) up to 8mm to ensure full adhesion. Allow additional time for the adhesive to cure (typically 24 hours).

- Place the stair edging so that the leading edge is overlapping the edge of the step and press down whilst sliding the profile into place. Press down firmly to ensure a full bond.
- Fit chosen covering to the tread ensuring the stair edging remains in place whilst the tread material is installed.
- Cure time:

a. Absorbent Surfaces

Allow approximately 1 hour after fixing before opening the area to traffic. The installation should be checked to ensure the bond is sufficiently secure before opening the area. For beads greater than 5mm in thickness the cure time will be extended.

b. Non-Absorbent Surfaces

Allow a minimum of 2 hours after fixing before opening the area to traffic. The installation should be checked to ensure the bond is sufficiently secure before opening the area. For beads greater than 5mm in thickness or when bonding non-absorbent surfaces that are not suitably dampened the cure time will be extended.

NOTE: CA71 ONLY – Allow the adhesive to fully cure before any attempt is made to strike the naplock detail of the profile into position. Install the carpet into the naplock (it is recommended that the carpet edge is sealed to avoid any fraying), then using a rubber mallet and a timber baton, firmly strike the flat face of the naplock and ensure you work this process along the length of the stair profile until the naplock is levelled and firmly secures the carpet into position.

- Remove any excess wet adhesive from surfaces with a suitable proprietary wipe.

GRADUS

Stair Edgings – Installation Guidelines – Gradus Grip (Adhesive Only Fixing)

XT, Traditional, Elite & Trans-Edge TEX Stair Edgings

Data Sheet: (Page 6 of 12) 01.12.15

Precautions

Temperature – adhesive must be applied onto substrates which are above 5 degrees centigrade and remain so whilst curing takes place.

Do not snake / zig-zag the adhesive beads, as this can significantly reduce bond strength – always apply in straight (linear) beads.

Thicker beads take longer to cure, however always ensure sufficient material is applied relative to the installation being undertaken.

Stair edgings must not be disturbed or moved during the curing period of the adhesive.

Where stair edgings are installed without additional mechanical fixing, always check the bond is secure before opening the area to traffic.

Stair Edgings – Installation Guidelines

Adhesive Only Fixing – CXT Stair Edgings

Data Sheet: (Page 7 of 12) 01.12.15

These installation guidelines apply to the following Gradus profiles:

CXT1, CXT2, CXT3

1. It should be ensured that all surfaces to which the profile is to be fixed are sound, dry, flat and free from any contaminants.
2. Install the tiles to the riser section of the step.
3. Place the stair edging in position.
4. Mark the area where the stair edging is to be fitted and then apply a bead of tile adhesive using a ceramic notched trowel.
5. Using the adhesive used for fixing the tile, apply adhesive to the back of the profile ensuring that the cavities on the underside of the profile are fully filled with adhesive mortar (refer to adhesive manufacturer's data sheets for application details).
6. Place the profile firmly into the adhesive and set into position. Ensure the profile is level and in good contact with the adhesive.
7. Install the tiles to the remaining tread area ensuring the stair edging remains firmly in position.
8. Clean any excess adhesive off the profile as directed by the adhesive manufacturer.

Gradus recommends using a proprietary tile adhesive for fixing aluminium CXT stair edgings

The legal responsibility for the supply and performance of the adhesives used shall remain the sole responsibility of the relevant manufacturer.

Application of the tile adhesive must be actioned in strict accordance with the relevant manufacturer's instructions.

If you have any queries regarding adhesives, please contact the adhesive manufacturer directly.

Stair Edgings – Installation Guidelines

Adhesive Only Fixing – Flexible PVC Stair Edgings

Data Sheet: (Page 8 of 12) 01.12.15

These installation guidelines apply to the following Gradus profiles:

PK50, PK75, PKS50, PKS75, PM60, PR50, PR65, PR75, PKR65

1. It should be ensured that all surfaces to which the profile is to be fixed are sound, dry, flat and free from any contaminants.
2. Cut the profile to the size required.
3. Apply a proprietary contact adhesive to the back of the profile and surface on which to be fixed. (See recommended adhesive products below and follow adhesive manufacturer's data sheets and application details).

NOTE: - If installing using Gradus Grip, the profiles should be categorised as follows in relation to the adhesive coverage:

Single channel: PKS50, PK50, PM60, PR50, PR65, PKR65

Double channel: PK75, PKS75, PR75

Refer to a Gradus Grip product data sheet for application.

4. Position the profile at one end of the step and bring both surfaces together.
5. Apply even pressure along the full length of the profile to ensure full contact between both surfaces.

Recommended adhesive products for Gradus Flexible PVC stair edgings

Gradus Limited provides this information only as guidance and the legal responsibility for the supply and performance of the adhesives listed below shall remain the sole responsibility of the relevant manufacturer.

By providing this information, Gradus Limited does not imply any equivalents between each of the different manufacturer's products, or that other products would prove unsatisfactory. However, use of adhesives not recommended by Gradus should be supported by a guarantee from the adhesive supplier.

Application of the named adhesive must be actioned in strict accordance with the relevant manufacturer's instructions.

If you have any queries regarding adhesives, please contact the adhesive manufacturer directly.

Manufacturer	Product Reference	Contact Number	Website
Gradus	Gradus Grip	+44 (0) 1625 428922	www.gradusworld.com
Tremco	SP060 / SF115	+44 (0) 1942 251400	http://www.tremco-illbruck.co.uk/
UZIN	WK 222	+44 (0) 1788 530 080	http://www.uzin.co.uk/

As site conditions vary, Gradus recommend contacting the adhesive manufacturer in respect of specific adhesive and type.

Stair Edgings – Installation Guidelines

Mechanical & Adhesive Fixing – XT & Traditional Stair Edgings

Data Sheet: (Page 9 of 12) 01.12.15

These installation guidelines apply to the following Gradus profiles:

XT Aluminium

ADXT1, ADXT2, ADXT3, ADXT4, AKRXT52▲, AKVXT1R■, AKXT50A▲, AKXT52, AKXT5A, ARXT81, ARXT81R▲, ASRXT12▲, ASVXT1R■, ASXT11, ASXT12, ASXT20▲, GRXT81, GXT11, GXT12, GXT51, GXT52

XT PVC-u Hardnose

DDXT1, DDXT2, DDXT3, DDXT4, RXT311, RXT351, RXT511, RXT521, RXT525, RXT551, RXT581, RXT711, RXT751, RXT781, R75XT11, R75XT51, R95XT11, R95XT51

Traditional Aluminium

ADM1, ADM2, ADM3, ADM4, ADM5▲, ADM6▲, AK5, AK50A▲, AK52, AK5A, AR10, AR3, AR32, AR7, AR81, AR8, AS1, AS10▲, AS11, AS12, AS19, AS2, AS20▲, AS21, CA71, CT52, CT71, CT712, CT717, CT727, CT75, CT78, G11, G12, G317, G32, G33, G332, G41, G51, G52, G54, G65, G72, GR12, GR37, GR61, GR62, GR8, GR81, GR91, HD1, HD2, HE1, HE2, HM1, PG1, PG2, SD1, SD2, SE1, SE2, SM1

Traditional PVC-u Hardnose

DDA1, DDA2, DDA3, DDA4, MR511, MR551, MR581, MR711, MR751, MR781, RN311, RN351, RN511, RN527, RN551, RN581, RN711, RN727, RN751, RN781, RNRC511▲

Traditional Bronze

BAR3, BAS1, BAS11, BAS20▲, BC717, BC78, BG511, BG532, BG551, BGR121

Traditional Chrome

GC11, GC317, GC51, GCR81

1. It should be ensured that all surfaces to which the profile is to be fixed are sound, dry, flat and free from any contaminants.
2. The riser material should be installed prior to fitting the profile and should be cut to finish flush or slightly short of the tread.
Important: For XT profiles, ensure the riser material is cut at a minimum of 15mm below the top of the riser.
3. Cut the profile to the size required.

4. Place the profile in position and mark the position of the screw holes onto the substrate.

NOTE: Steel treads can be fixed using self-tapping countersunk steel screws, or if access to the underside of the tread can be gained, then the profile can be fixed using countersunk steel bolts, washers and locking nuts. Where there is risk of the tips of the screws or bolts being a danger, then these should be trimmed back on the underside of the metal tread.

5. Pilot drill (for timber) or drill the substrate to a depth of 30 - 35mm and insert suitable fixing plugs into the holes.
6. Apply cartridge adhesive (in accordance with manufacturer's instructions) to the underside of the profile
7. Using countersunk steel screws, fix through the profile into the plugs and tighten (see fixings guidance below).
8. Once installed, place the matching plugs into the insert to cover the fixed screw heads.
9. Fit chosen covering to the tread.

CA71 ONLY – Allow the adhesive to fully cure before any attempt is made to strike the naplock detail of the profile into position. Install the carpet into the naplock (it is recommended that the carpet edge is sealed to avoid any fraying), then using a rubber mallet and a timber baton, firmly strike the flat face of the naplock and ensure you work this process along the length of the stair profile until the naplock is levelled and firmly secures the carpet into position.

NOTE: ■ If using the AKVXT1R or ASVXT1R profiles – fit the 2mm resilient floorcovering on the tread prior to installing the stair edging, allowing sufficient cover for the floorcovering to be trapped under the rear ramped edge of the profile, but still leaving sufficient area for the stair edging base to be fitted directly to the tread without interference with the leading edge of the floorcovering.

- ▲ Ramp back profiles (AKRXT52, AKXT50A, ARXT81R, ASRXT12, ASXT20, RNRC511, ADM5, ADM6, AK50A, AS10, AS20 and BAS20) can be installed directly on to the substrate where floorcoverings are not used. When used with resilient or hard flooring, ramp profiles should be installed on top of the floorcovering. Ramp back profiles must **NOT** be installed on top of any type of textile floorcovering.

Profiles other than ramp-back profiles should be installed directly onto the substrate and **NOT** on top of any floorcovering. The floorcovering should be abutted up to the back edge of the profile.

Stair Edgings – Installation Guidelines

Mechanical & Adhesive Fixing – XT & Traditional Stair Edgings

Data Sheet: (Page 10 of 12) 01.12.15

Recommended adhesive products for Gradus XT & Traditional Stair Edgings

Gradus Limited provides this information only as guidance and the legal responsibility for the supply and performance of the adhesives listed below shall remain the sole responsibility of the relevant manufacturer.

By providing this information, Gradus Limited does not imply any equivalents between each of the different manufacturer's products, or that other products would prove unsatisfactory. However, use of adhesives not recommended by Gradus should be supported by a guarantee from the adhesive supplier.

Application of the named adhesive must be actioned in strict accordance with the relevant manufacturer's instructions.

If you have any queries regarding adhesives, please contact the adhesive manufacturer directly.

Manufacturer	Product Reference	Contact Number	Website
Gradus	Gradus Grip	+44 (0) 1625 428922	www.gradusworld.com
F. Ball and Co. Ltd	F32 / F33	+44 (0) 1538 361 633	http://www.f-ball.co.uk/
Tremco	SP060 / MT440	+44 (0) 1942 251400	http://www.tremco-illbruck.co.uk/
UZIN	MS Structural	+44 (0) 1788 530 080	http://www.uzin.co.uk/

Fixings Guidance

Size of Screw	XT Aluminium	XT PVC-u	Traditional Aluminium	Traditional PVC-u	Traditional Bronze	Traditional Chrome
No.6	ADXT1 ADXT2 AKRXT52 AKVXT1R AKXT50A AKXT52 AKXT5A ARXT81 ARXT81R ASRXT12 ASVXT1R ASXT11 ASXT12 ASXT20	DDXT1 DDXT2 RXT311 RXT351 RXT511 RXT521 RXT525 RXT551 RXT581	ADM1, ADM2 ADM5, ADM6 AK5, AK50A AK52, AK5A AR10, AR3 AR32, AR7 AR8, AR81 AS1, AS10 AS11, AS12 AS19, AS2 AS20, AS21 PG1, PG2 SD1, SD2 SE1, SE2 SM1	DDA1 DDA2 MR511 MR551 MR581 RN311 RN351 RN511 RN527 RN551 RN581 RNRC511	BAR3 BAS1 BAS11 BAS20	
No.8	ADXT3 ADXT4 GRXT81 GXT11 GXT12 GXT51 GXT52	DDXT3 DDXT4 RXT711 RXT751 RXT781 R75XT11 R75XT51 R95XT11 R95XT51	ADM3, ADM4 CA71, CT52 CT71, CT712 CT717, CT727 CT75, CT78 G11, G12 G317, G32 G33, G332 G41, G51, G52 G54, G65, G72 GR12, GR37 GR61, GR62, GR8 GR81, GR91 HD1, HD2, HE1 HE2, HM1	DDA3 DDA4 MR711 MR751 MR781 RN711 RN727 RN751 RN781	BC717 BC78 BG511 BG532 BG551 BGR121	GC11 GC317 GC51 GCR81

Installation Questions?

Call our Technical Support Team FREE on 0800 021 4534
International: +44 (0)1625 613780

www.gradusworld.com

Stair Edgings – Installation Guidelines

Mechanical & Adhesive Fixing – Elite Stair Edgings

Data Sheet: (Page 11 of 12) 01.12.15

These installation guidelines apply to the following Gradus profiles:

Elite Aluminium

EAR 11 40▲, EAR 31 30▲, EAR 31 50▲, ELA 11 40, ELA 1155 50, ELA 117 50, ELA 12 40, ELA 127 40, ELA 31 40, ELA 32 40, ELA 51 40, ELA 5155 50, ELA 517 50, ELA 52 40, ELA 72 40, ELA 81 50, ELA 911 50, ELA 931 50

Elite Bronze

ELB 11 40, ELB 31 40

1. It should be ensured that all surfaces to which the profile is to be fixed are sound, dry, flat and free from any contaminants and in an ambient temperature not less than 18°C.
2. The riser material should be installed prior to the profile and should be cut to finish flush or slightly short of the tread.
3. Cut the profile to the size required.
4. Place the profile in position and mark the position of the screw holes onto the substrate.
NOTE: Steel treads can be fixed using self-tapping countersunk steel screws, or if access to the underside of the tread can be gained, then the profile can be fixed using countersunk steel bolts, washers and locking nuts. Where there is risk of the tips of the screws or bolts being a danger, then these should be trimmed back on the underside of the metal tread.
5. Pilot drill (for timber) or drill the substrate to a depth of 30 - 35mm and insert suitable fixing plugs into the holes.
6. Apply cartridge adhesive (in accordance with manufacturer's instructions) to the underside of the profile.
7. Using No. 8 steel countersunk screws, fix through the profile into the plugs and tighten.
8. Clean out the profile channel and install the Elite insert. Ensure that the insert is cut 5mm (min) oversize for each metre of channel. Starting at one side fit the insert, then move to the opposing side and begin to fit. Chase and lose any excess back into the middle of the profile.
9. Fit chosen covering to the tread

NOTE: ▲ Ramp back profiles (EAR 11 40, EAR 31 30, EAR 31 50) can be installed directly on to the substrate where floorcoverings are not used. When used with resilient or hard flooring, ramp profiles should be installed on top of the floorcovering. Ramp back profiles must **NOT** be installed on top of any type of textile floorcovering. Profiles other than ramp-back profiles should be installed directly onto the substrate and **NOT** on top of any floorcovering. The floorcovering should be abutted up to the back edge of the profile.

Recommended cartridge adhesive products for Gradus Elite stair edgings

Gradus Limited provides this information only as guidance and the legal responsibility for the supply and performance of the adhesives listed below shall remain the sole responsibility of the relevant manufacturer.

By providing this information, Gradus Limited does not imply any equivalents between each of the different manufacturer's products, or that other products would prove unsatisfactory. However, use of adhesives not recommended by Gradus should be supported by a guarantee from the adhesive supplier.

Application of the named adhesive must be actioned in strict accordance with the relevant manufacturer's instructions.

If you have any queries regarding adhesives, please contact the adhesive manufacturer directly.

Manufacturer	Product Reference	Contact Number	Website
Gradus	Gradus Grip	+44 (0) 1625 428922	www.gradusworld.com
F. Ball and Co. Ltd	F32 / F33	+44 (0) 1538 361 633	http://www.f-ball.co.uk/
Tremco	SP060 / MT440	+44 (0) 1942 251400	http://www.tremco-illbruck.co.uk/
UZIN	MS Structural	+44 (0) 1788 530 080	http://www.uzin.co.uk/

Installation Questions?

Call our Technical Support Team FREE on 0800 021 4534

International: +44 (0)1625 613780

www.gradusworld.com

Stair Edgings – Installation Guidelines

Mechanical & Adhesive Fixing – Gradus Trans-Edge TEX Stair Edgings

Data Sheet: (Page 12 of 12) 01.12.15

These installation guidelines apply to the following Gradus profiles:

TEX11, TEX11R, TEX2R, TEX3R, TEX51, TEX51R, TEXE1, TEXN11, TEXN51, TEX3NR

1. It should be ensured that all surfaces to which the profile is to be fixed are sound, dry, flat and free from any contaminants.
2. Profile should be ordered pre-cut to size.
3. Pilot drill (for timber) or drill the substrate to a depth of 30 - 35mm and insert suitable fixing plugs into the holes.
4. Apply cartridge adhesive (in accordance with manufacturer's instructions) to the underside of the profile.
5. Using No. 8 countersunk steel screws¹, fix through the profile into the plugs and tighten.
6. Fit chosen covering to the tread (if applicable)

NOTE: • The stair edging should not be trafficked until the adhesive has cured.

- When installing stair edgings in an external environment, consideration must be given to drainage for the steps to avoid a pooling of rain water behind the stair edging.

¹Stainless steel screws should be used for external applications.

Recommended adhesive products for Gradus TEX heavy duty stair edgings

Gradus Limited provides this information only as guidance and the legal responsibility for the supply and performance of the adhesives listed below shall remain the sole responsibility of the relevant manufacturer.

By providing this information, Gradus Limited does not imply any equivalents between each of the different manufacturer's products, or that other products would prove unsatisfactory. However, use of adhesives not recommended by Gradus should be supported by a guarantee from the adhesive supplier.

Application of the named adhesive must be actioned in strict accordance with the relevant manufacturer's instructions.

If you have any queries regarding adhesives, please contact the adhesive manufacturer directly.

Manufacturer	Product Reference	Contact Number	Website
Gradus	Gradus Grip	+44 (0) 1625 428922	www.gradusworld.com
F. Ball and Co. Ltd	F32 / F33	+44 (0) 1538 361 633	http://www.f-ball.co.uk/
Tremco	SP060 / MT440	+44 (0) 1942 251400	http://www.tremco-illbruck.co.uk/
UZIN	MS Structural	+44 (0) 1788 530 080	http://www.uzin.co.uk/