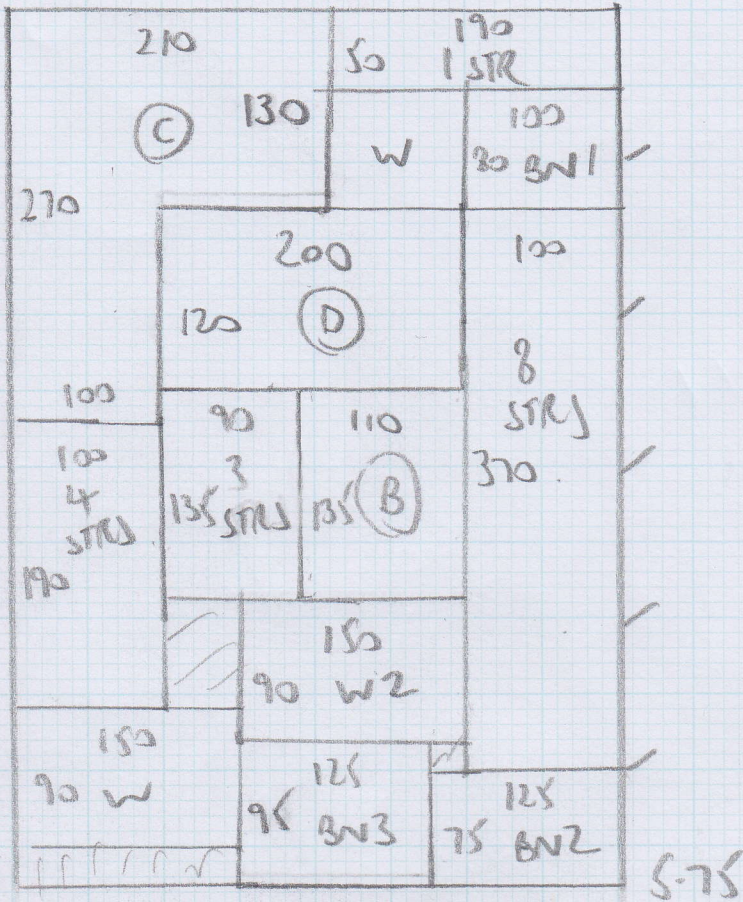


Job No: F 23258
 Name: PICKERING
 Address: 42 HIGHBURY PL
 NS 1QL
 Tel:
 Sheet: 1 OF 5

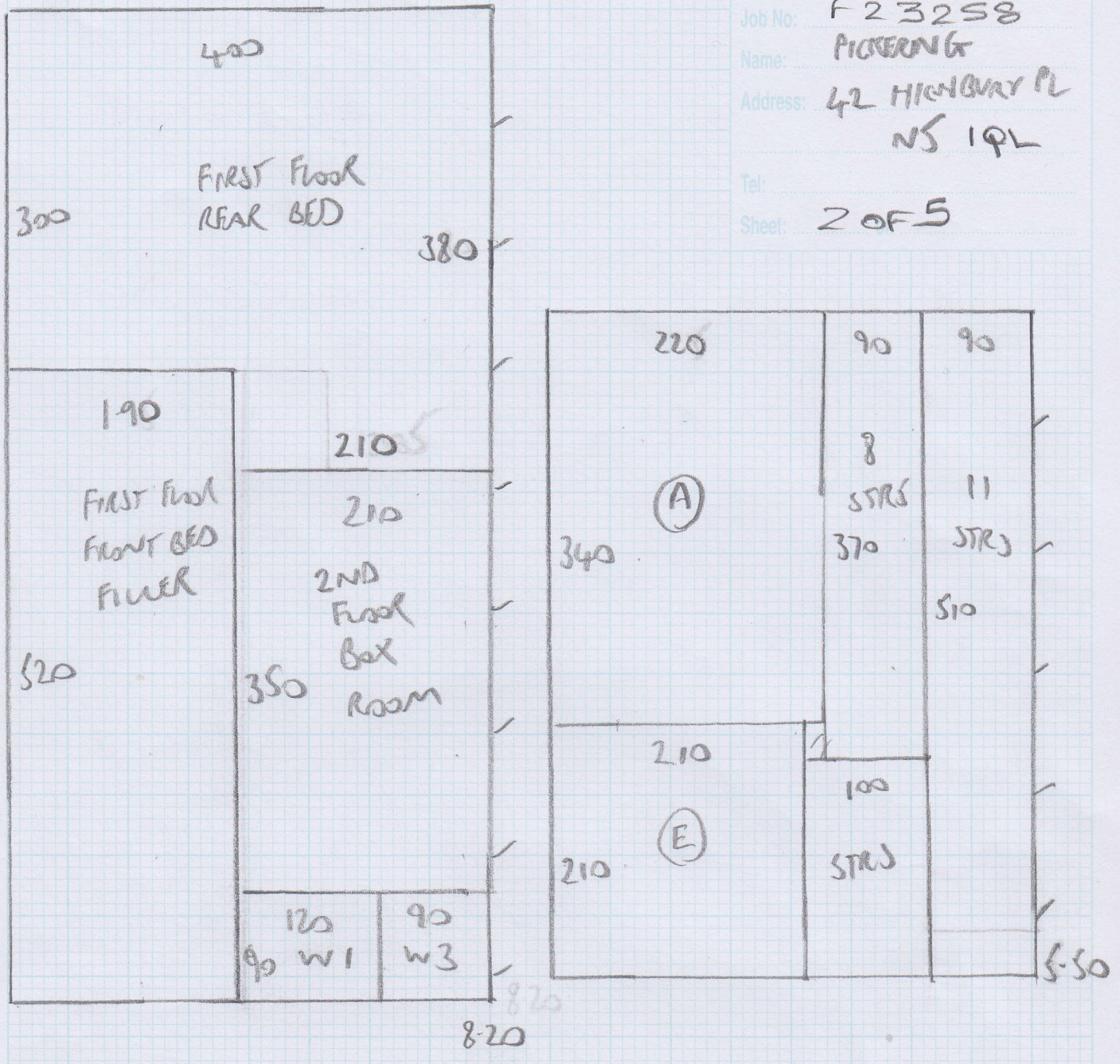


- ① 4-45 - 2ND FLOOR FRONT
- ① 3-85 - 2ND FLOOR REAR
- ① 5-20 - FIF FRONT
- ② 3-85 - FIF MIDDLE
- ② 8-20 - CIP
- ① 5-50 - CIP
- ① 5-75 - CIP
- ② 5-95 - LOFT ROOM

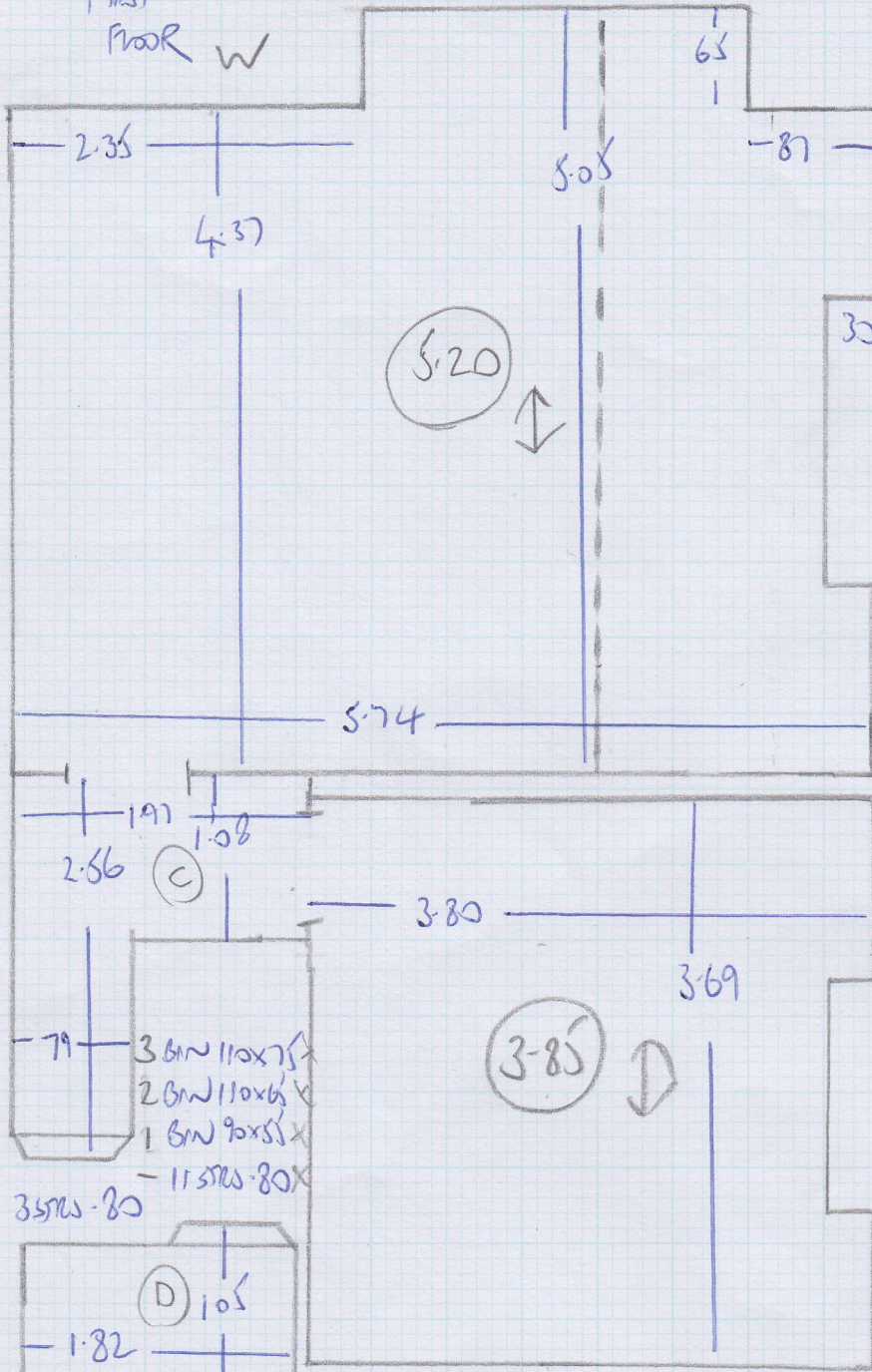
42-75

25-70 Roll ① - 2475
 18-00 Roll ② -

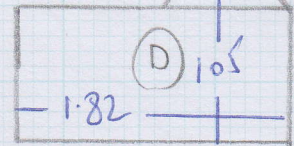
Job No: F23258
 Name: PICKERING
 Address: 42 HIGHWAY PL
 NSW 19L
 Tel:
 Sheet: 2 OF 5



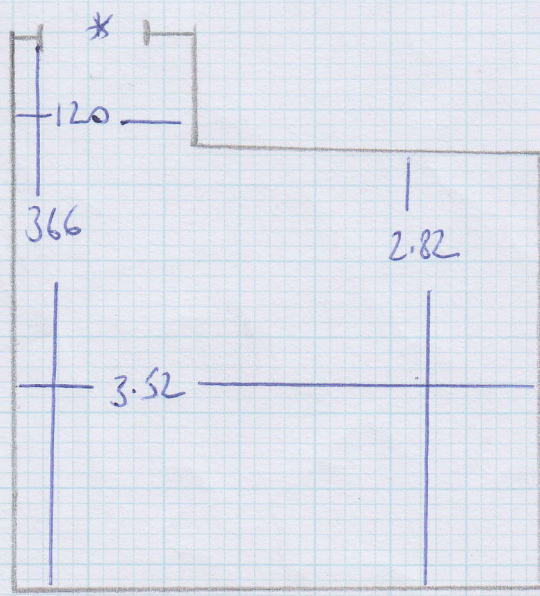
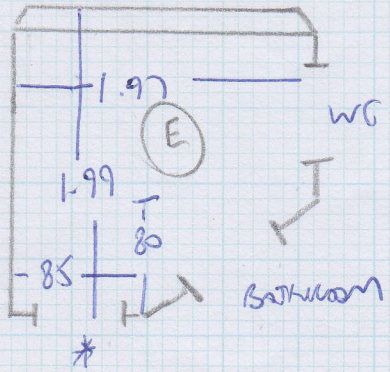
FIRST FLOOR W



- 3 Bm 110x75
- 2 Bm 110x65
- 1 Bm 90x55
- 11 STR 1.76
- 3 STR 1.76



STR 1.76



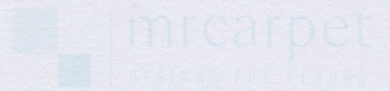
Job No: F23258
 Name: PICKERING
 Address: 42 HIGHWAY PL
 NS 102L
 Tel:
 Sheet: 3 of 5

TAPE FIRST FLOOR

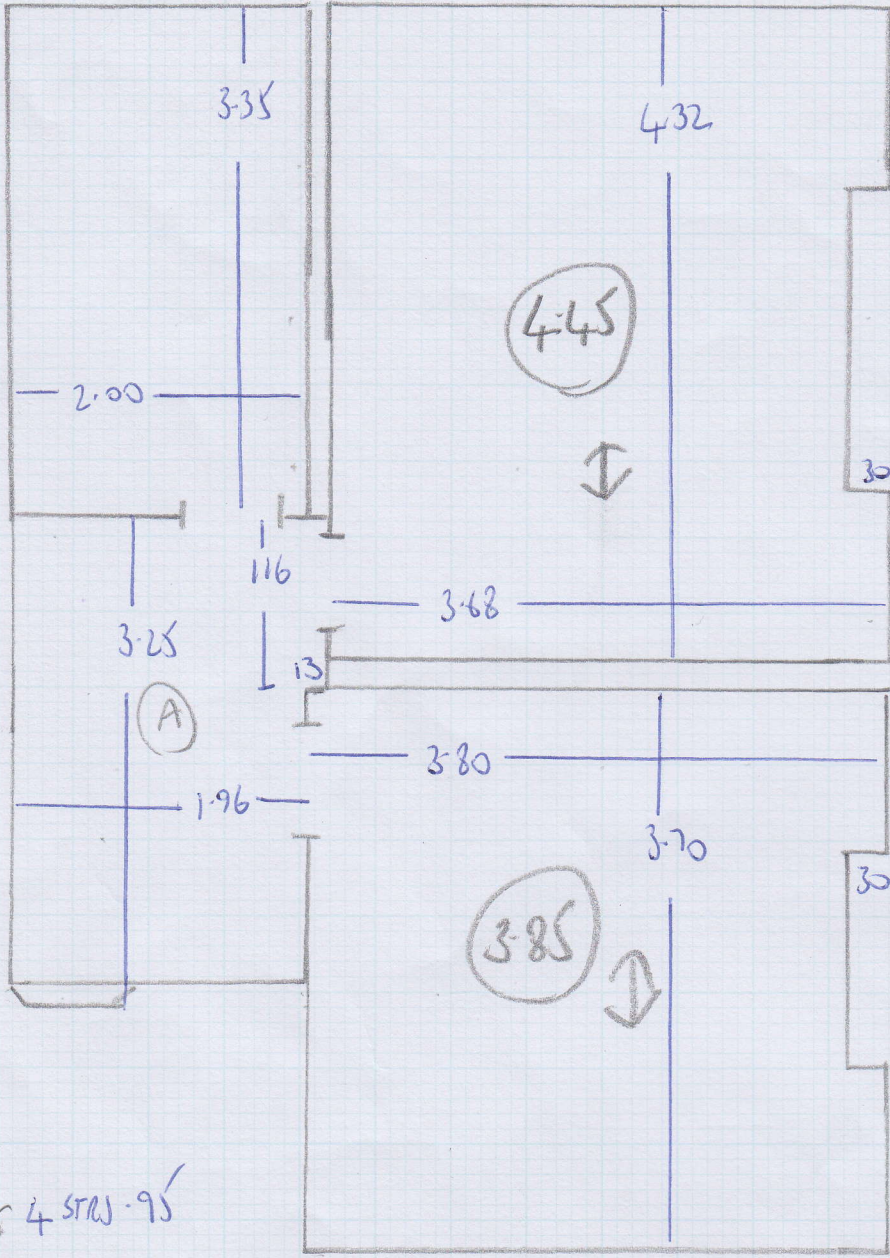
16M TAPING
 x 20 = 320.00
 NET WORTH VISIT = 175.00

495

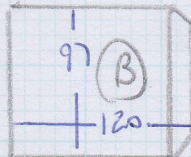
SECOND FLOOR



Job No: F23258
 Name: PROVERING
 Address: 42 HIGHBURY PLACE
 NS 1QL
 Tel:
 Sheet: 4 OF 5



x 4 STRW. 95

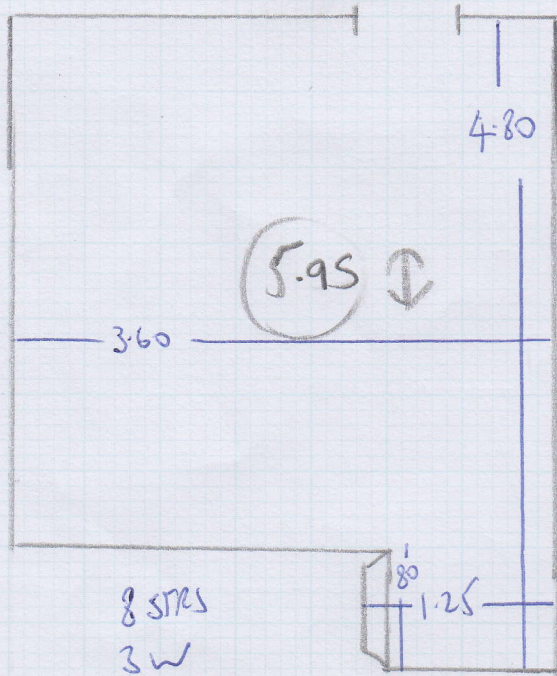


- 1 w 110x70 x
- 2 w 130x82 x
- 3 w 78x72 x
- 2 STRW. 80 x

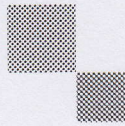
Job No: F23258
Name: PICKERING
Address: 42 HIGHBURY PL
NS 102L
Tel:
Sheet: 5 OF 5

LOFT Room

Bathroom



8 STPS
3 W
TO BE
BUILT.



mrcarpet
DESIGNS FOR FLOORS

301 Munster Road
Fulham
SW6 6BJ

Tel Nr: 020-7381-1989
Fax Nr: 020-7385-4006

ROLL BREAKDOWN

Job No: F23258

Customer Name: Pickering

Carpet: Zen

Colour: 830

Roll 1 25.70m x 4.00m

2nd Floor Front 4.45m x 4.00m

2nd Floor Rear 3.85m x 4.00m

1st Floor Front 5.20m x 4.00m

Cutting Plan 1 5.50m x 4.00m

Cutting Plan 2 5.75m x 4.00m

=====
Total 24.75m x 4.00m
=====

Roll 2 18.00m x 4.00m

1st Floor Middle 3.85m x 4.00m

Cutting Plan 1 8.20m x 4.00m

Loft Room 5.95m x 4.00m

=====
Total 18.00m x 4.00m
=====

Many Thanks

John