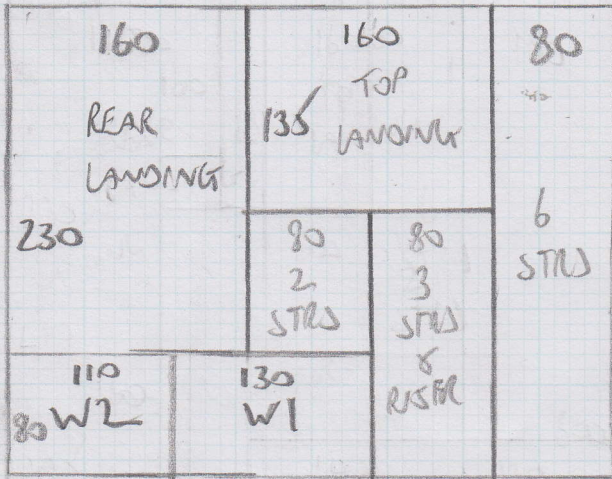


Job No: F23657
 Name: CAVÉ
 Address: TOP FLOOR FLAT
 22 HUMBOLT RD
 W6 8 QV
 Tel:
 Sheet: 1 OF 2

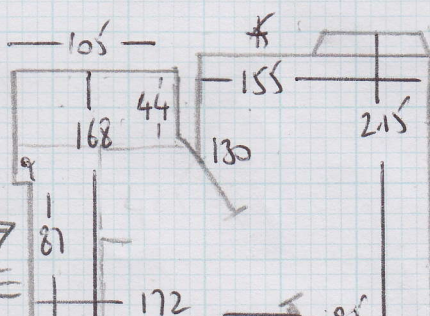
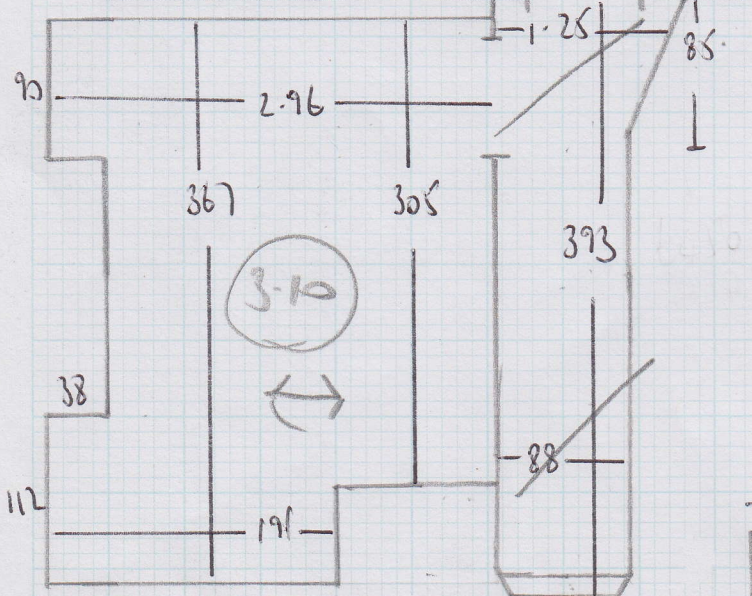
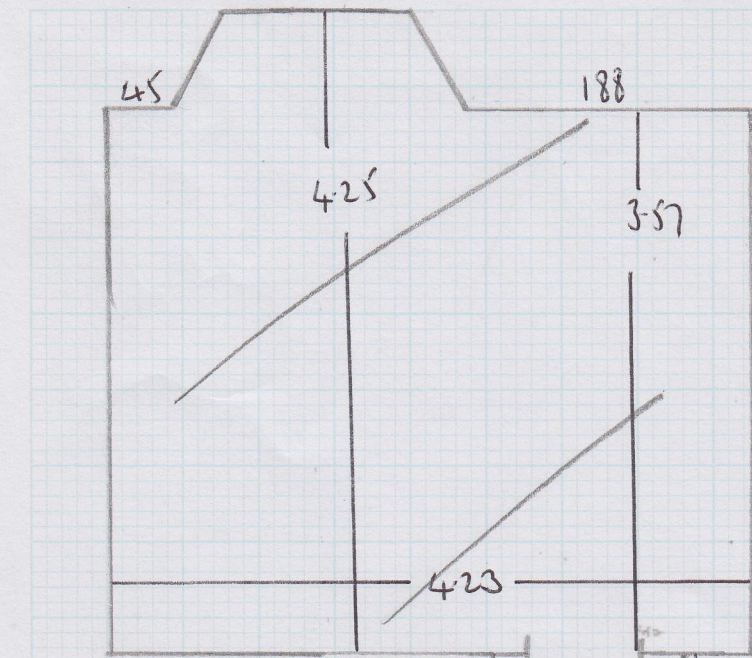


- 3-10 - CIP
- 3-10 - MIDDLE BED
- 3-15 - REAR BED

NATURAL BOUCLE
 NBO-50

$$9.35m \times 4.00m = 46.75m^2$$

Job No: F23657
 Name: CAME
 Address: Top floor flat
 25 HUMBOLDT RD W6 8RH
 Tel:
 Sheet: 2 of 2



COMMUNAL HALL
 GIP
 1 STR - 85
 12 STR - 76

1 STR - 76
 *
 SECURA
 YORKSTONE
 2-00x2M

Top Floor
 FIF
 TIE
 RUSTLE 70x30
 2 STR - 69
 1 W 105x68
 2 W 90x63
 8 STR - 72x48

