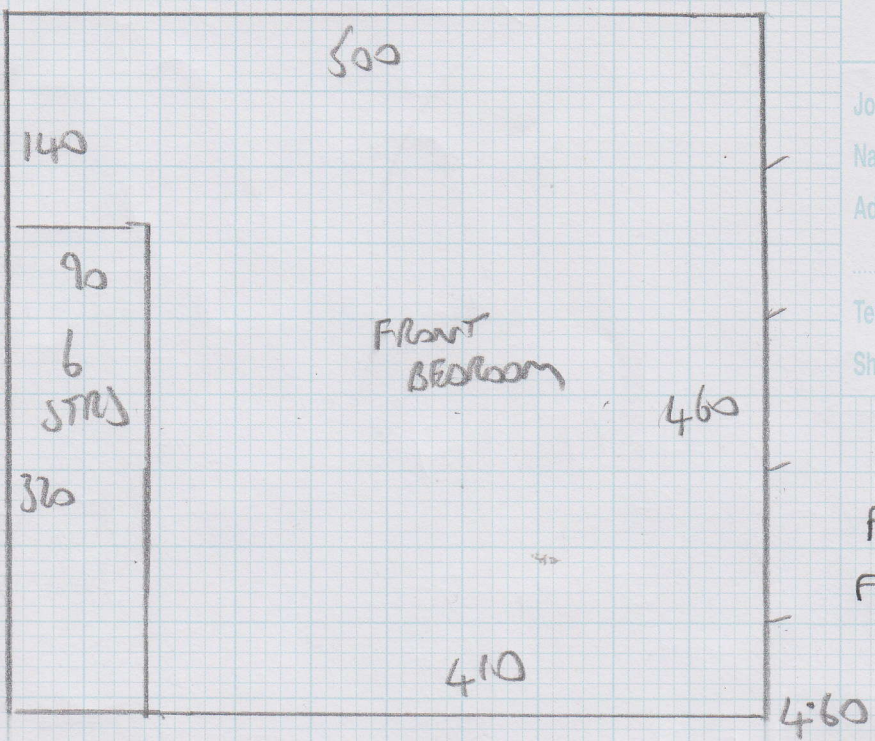


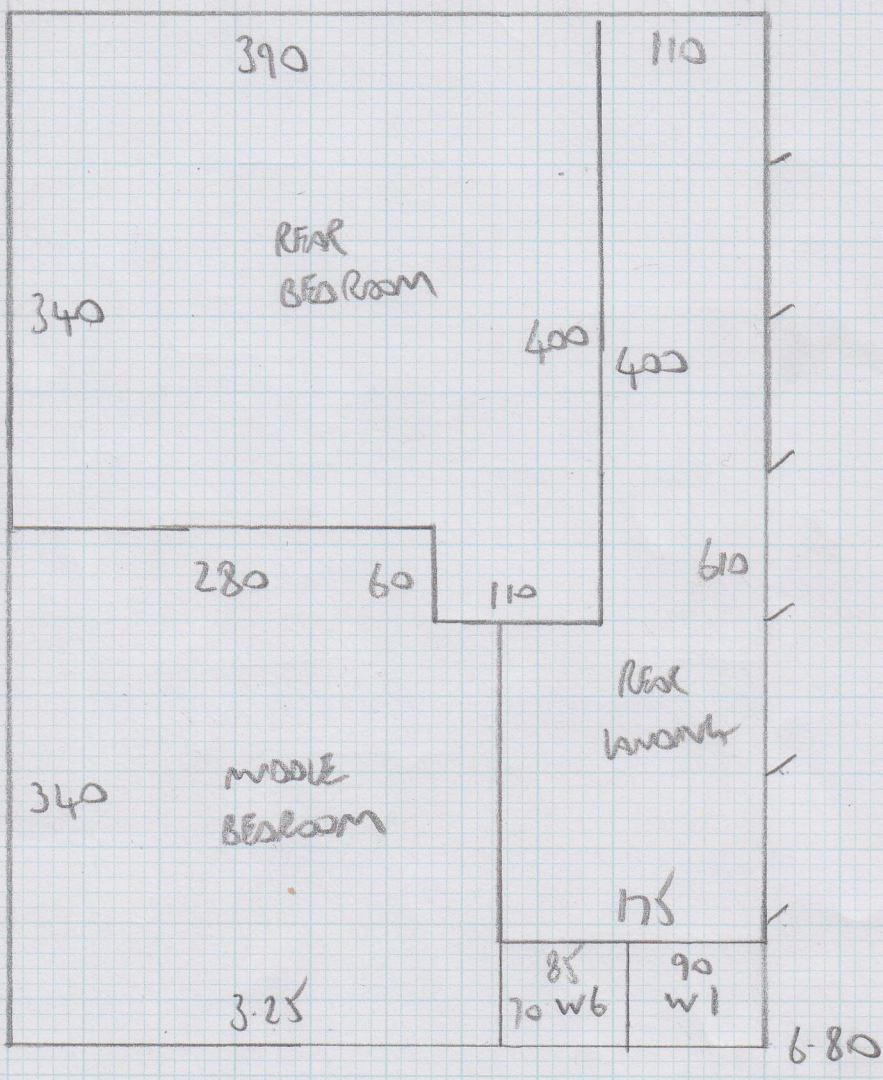
Job No: F23679
 Name: GRANT
 Address: 31 MICKLETHWAITE ROAD, SW61 0D
 Tel:
 Sheet: 1 OF 4



FINELOOP
 FLO-49S (CLAY)

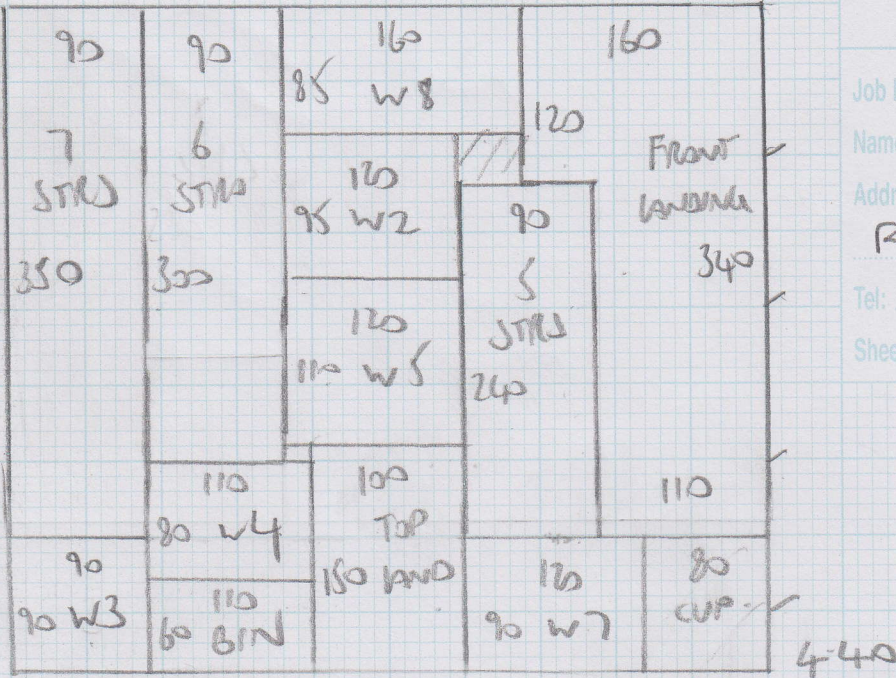
4.60 PLAN
 6.80 PLAN
 4.40 PLAN

 15.80 x 5.00
 = 79M²

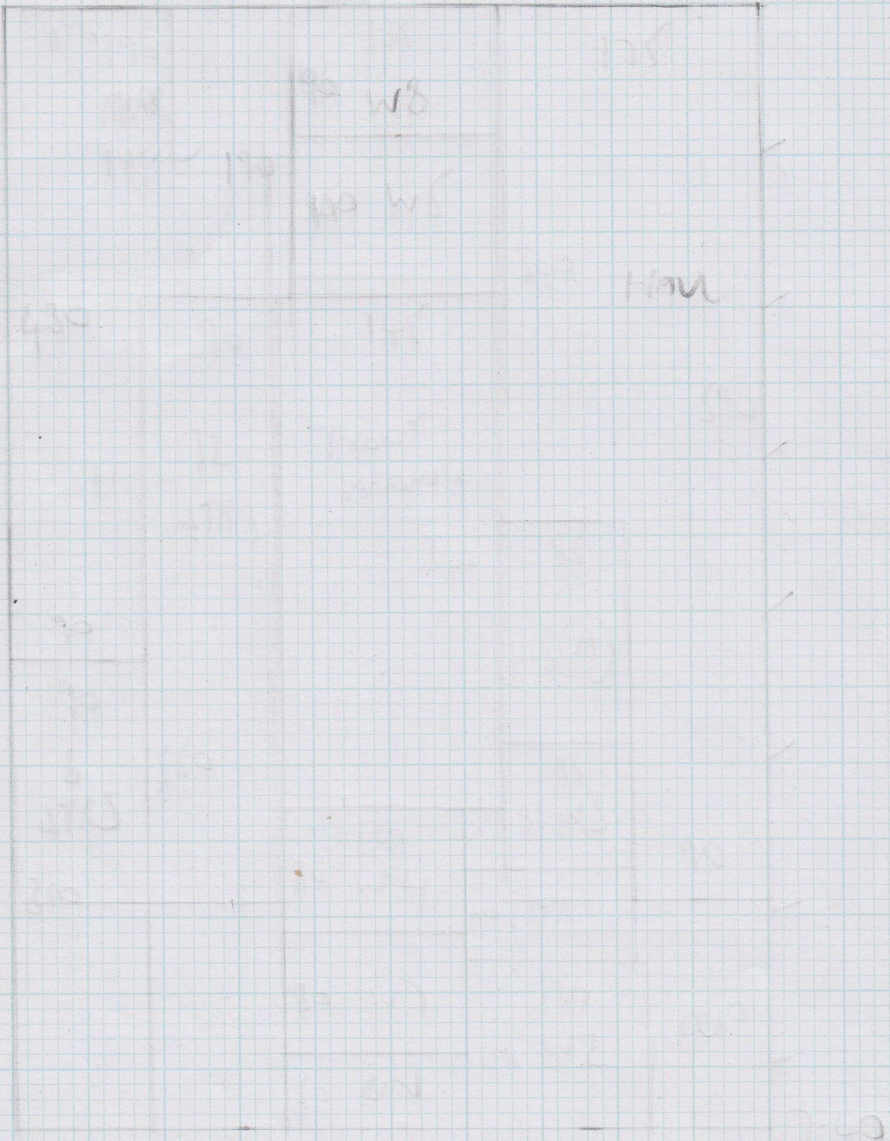


6.80

S&L

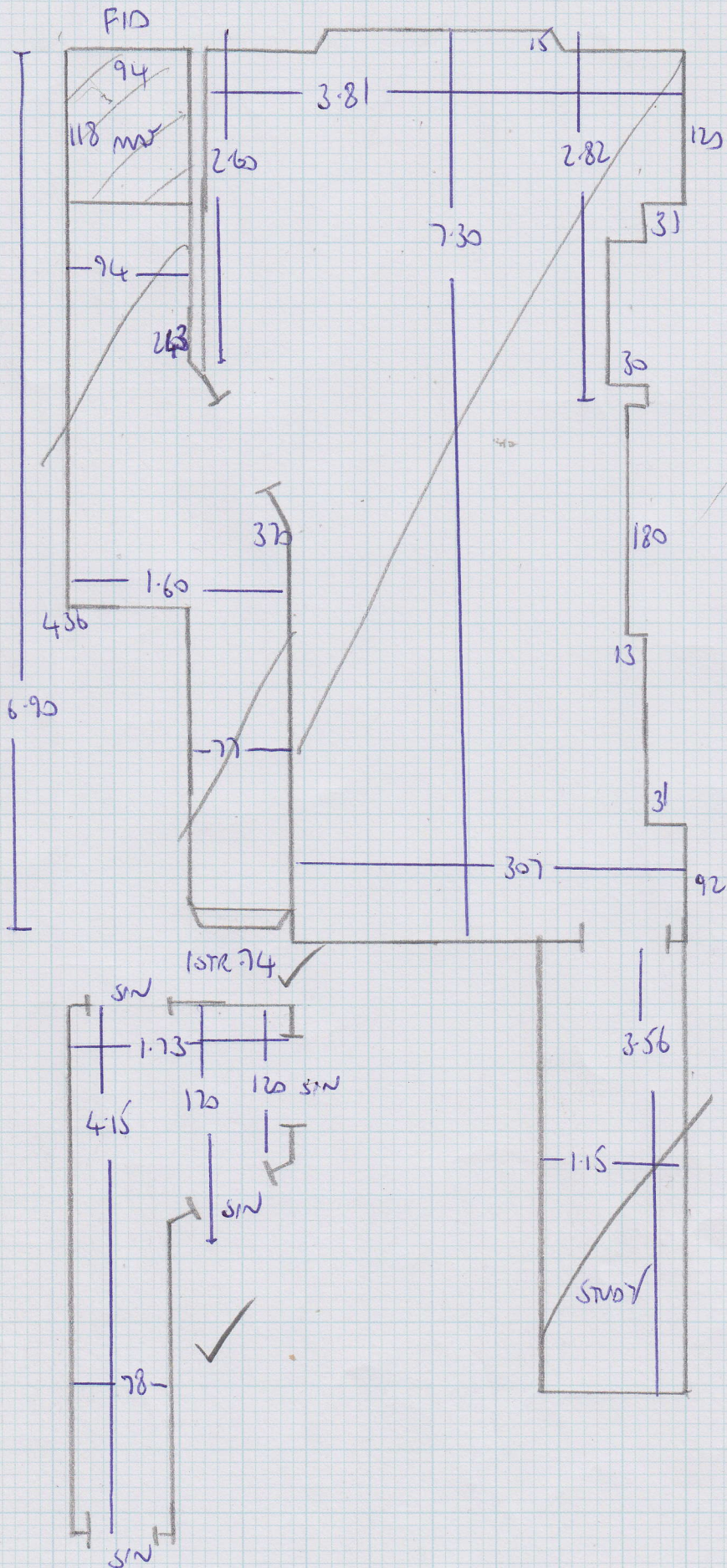


Job No: F23679
 Name: GRENAY
 Address: 31 MICKLETHWAITE ROAD, SW6 1QD
 Tel:
 Sheet: 2 of 4



Ground Floor

Job No: F23679
 Name: GRENY
 Address: 31 MICHELTNWAITE ROAD
 SW6 1QD
 Tel:
 Sheet: 3 of 4



TOP FLIGHT

Dim			
1	W	84x60	x
2	W	105x72	x
3	W	73x72	x
4	W	95x65	x
5	W	112x80	x
6	W	81x65	x
	6 STR	80x48	
7	W	95x65	x
8	W	119x72	x



Job No: F23679
 Name: GREANY
 Address: 31 MICKLETHWAITE ROAD
 SW6 1QD
 Tel:
 Sheet: 4 of 4

B/N 97x45
 12 STRS 79

