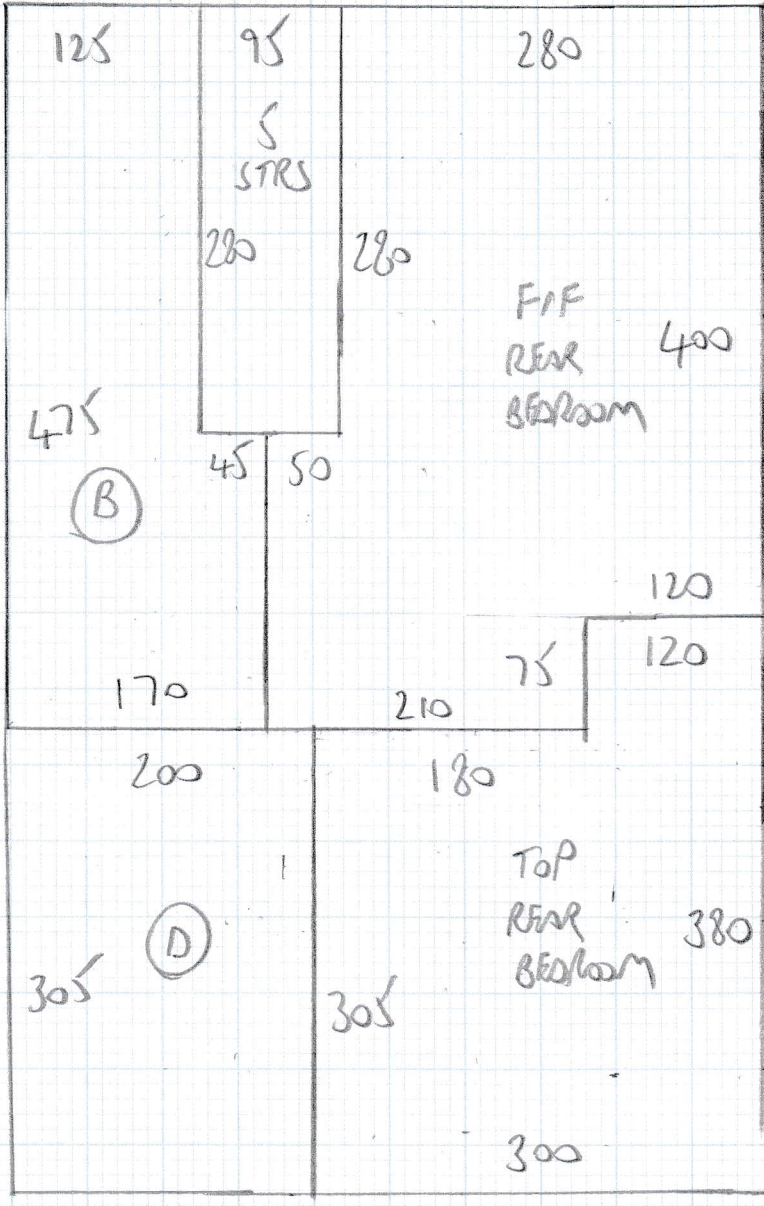


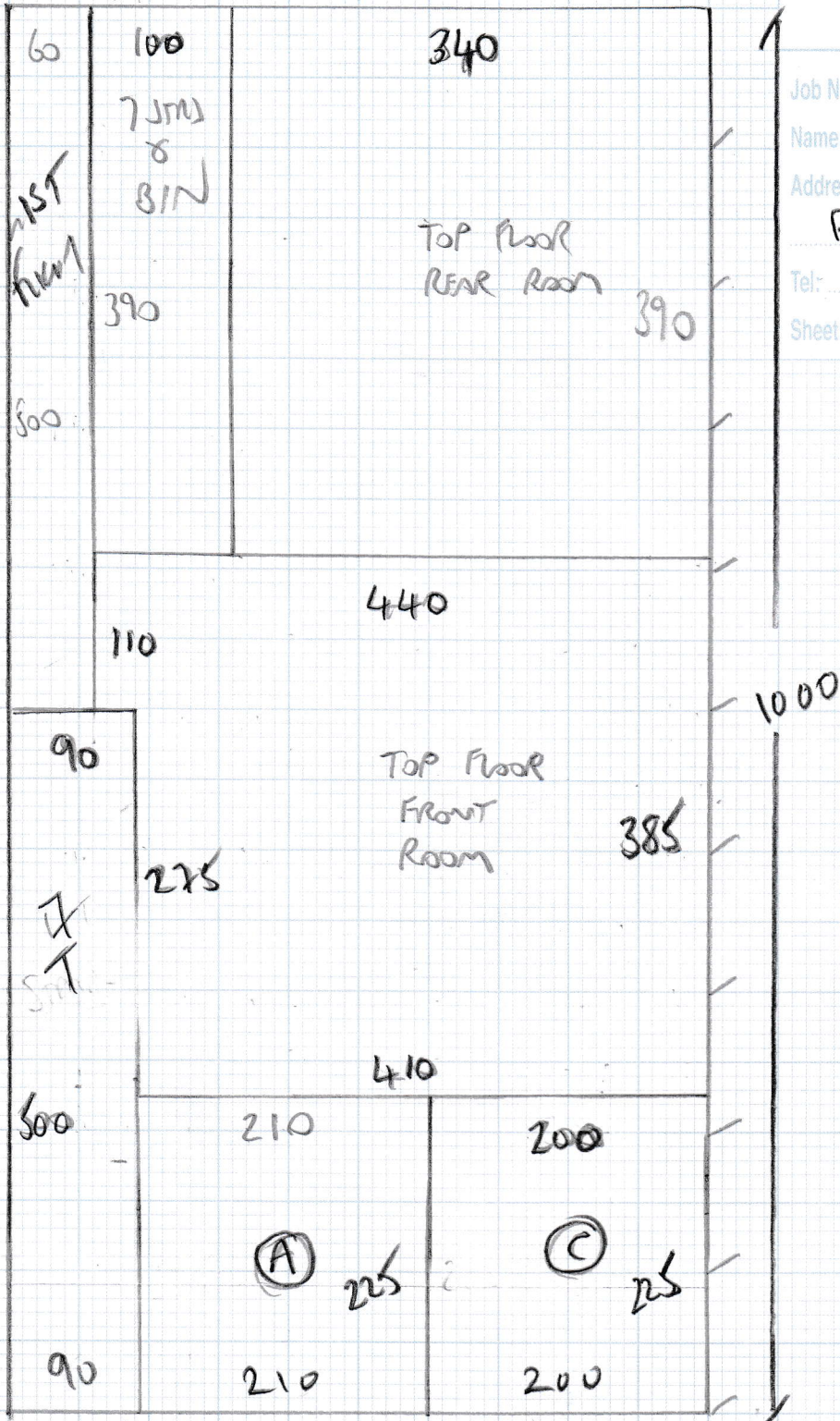
Job No: F23730
Name: THOMAS
Address: 218 BROOMWOOD RD
SW116JY
Tel:
Sheet: 1 of A



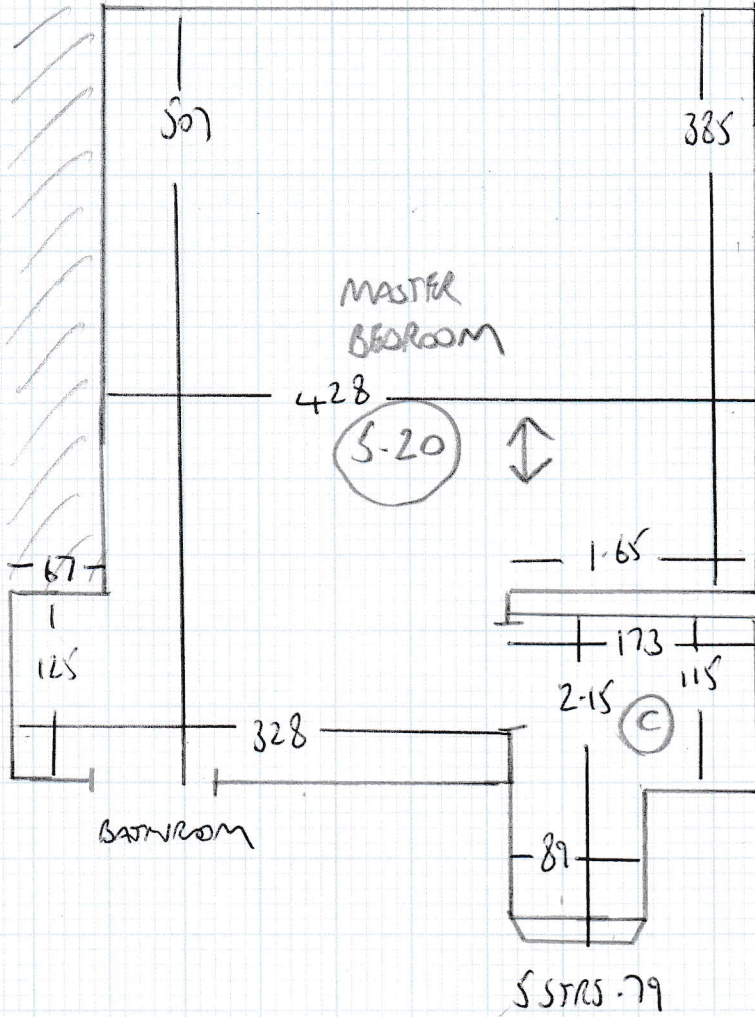
COTSWOLD
 Colours: NUBIA WASH
 Panel 1 780 x 500
 Panel 2 1000 x 500
 MARRAKHO 520 x 500
2300 x 500

ROLL
 ORDERED
 25-00 x SMTR

Job No: F23230
Name: THOMAS
Address: 218 BROOMWOOD ROAD, SW11 6JY
Tel:
Sheet: 2 OF 4



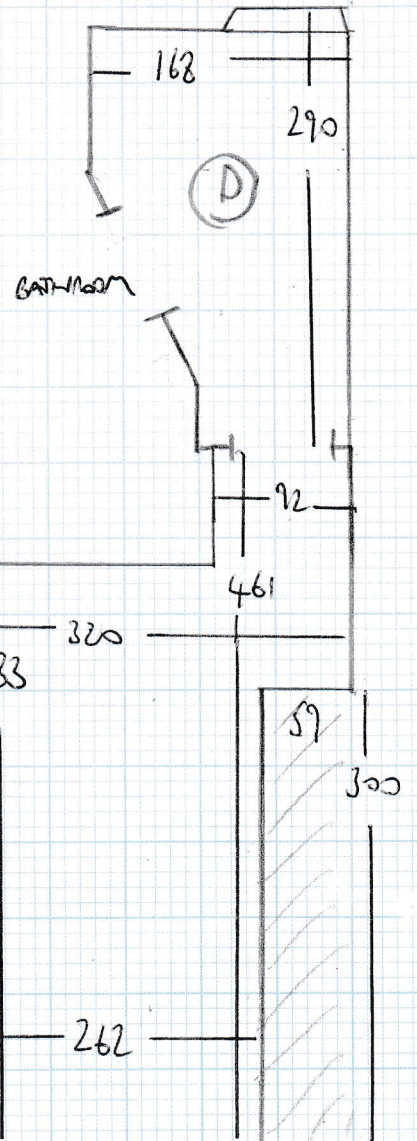
FIRST FLOOR



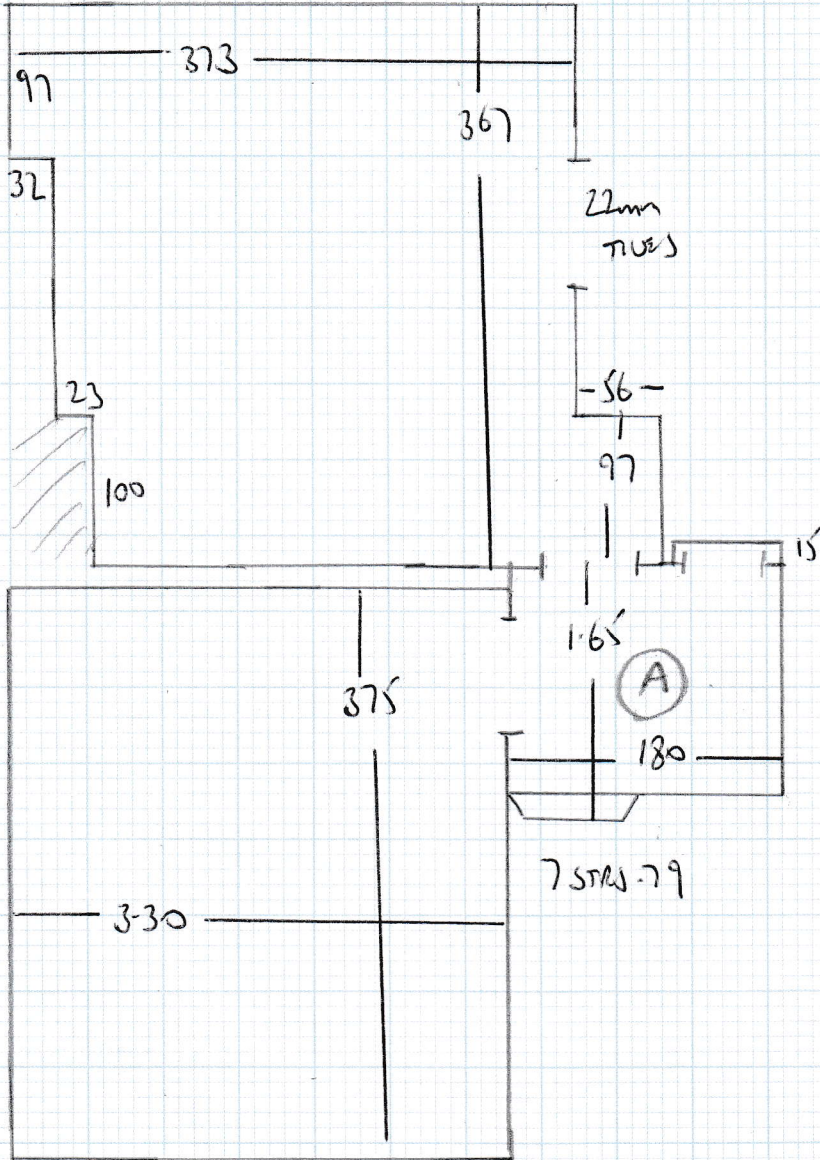
Job No: F23730
 Name: THOMAS
 Address: 218 Broomwood Road
 SW11 6JY
 Tel:
 Sheet: 3 of 4

for stairs
 to this floor

60cm
 width
 runner } 10 STAIRS - 79
 RUSK 71x15



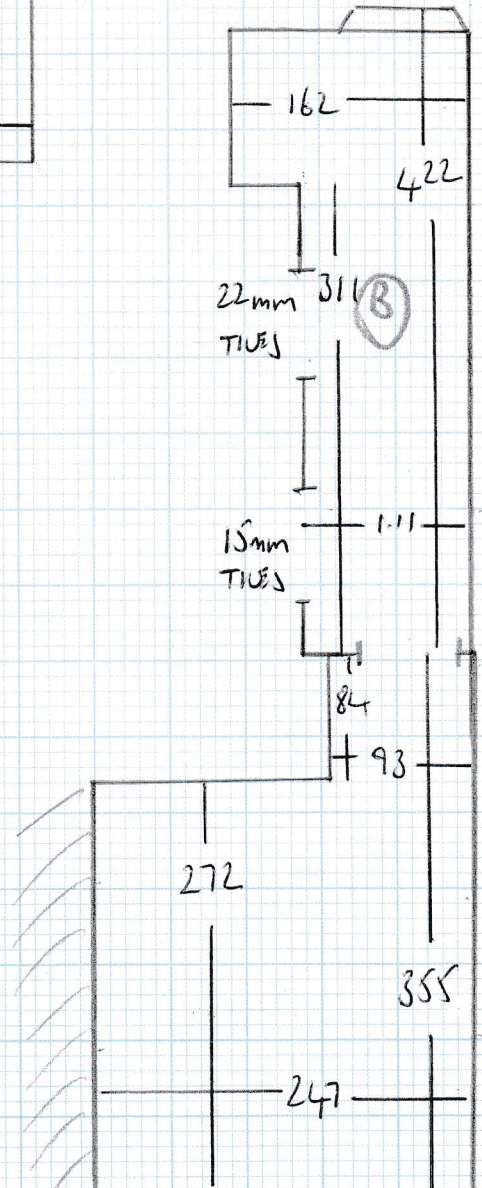
TOP FLOOR



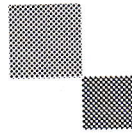
Job No: F23730
 Name: THOMAS
 Address: 218 Bloomwood Road
 SW11 6JY
 Tel:
 Sheet: 4 of 4

FIRST FLOOR

BN 100 x 50
 7 STRS - 79



STAIR RUNNER
WHIP SIDES ONLY



mrcarpet
DESIGNS FOR FLOORS

301 Munster Road
Fulham
SW6 6BJ
T 020-7381-1989
F 020-7385-4006

WHIPPING / BINDING FORM

To be collected by B H Carpets – Tel 020-8665-9110 Fax 020-8665-6611

Customer Name: TITOMAS

Job No. : F23730

Description of carpet : COTSWOLD NORMWICH

Whipping / Side Binding / Top Taping (1/2 & 1/2)

Colour of Binding tape: — Colour of Whipping: TO MATCH

Size of Binding tape: — Number of pieces : 1

Sizes To be cut to: 500M x 60CM

Whipping: 10 metres @ £2.00 per metre = £ 20.00

Blind Binding: — metres @ £7.00 per metre = £ —

Taping Only
3" or 5" Tape — Units @ £6.00 per metre = £ —

Any Queries call

Colin

John

Paul

Deliver Back to:

Unit 19, Riverside Road, SW17

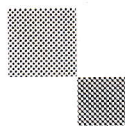
Mr Carpet Use. (Copy to be faxed to accounts when returned)

Date Collected: _____ Collected

By: _____

Date Returned: _____ Returned

By: _____



mrcarpet
DESIGNS FOR FLOORS

301 Munster Road
Fulham
SW6 6BJ

Tel Nr: 020-7381-1989
Fax Nr: 020-7385-4006

ROLL BREAKDOWN

Job No: F23730
Customer Name: Thomas
Carpet: Cotswold (Avebury)
Colour: Northleach – (Pewsey Nickel)

25.00m x 5.00m ordered with Cormar Carpets

Cutting Plan 1	7.80m x 5.00m
Cutting Plan 2	10.00m x 5.00m
Master Bedroom	5.20m x 5.00m

=====
Total **23.00m x 5.00m**
=====

Waste from roll 2.00m x 5.00m to be kept at warehouse until job complete & then mark up as remnant

Many Thanks

John