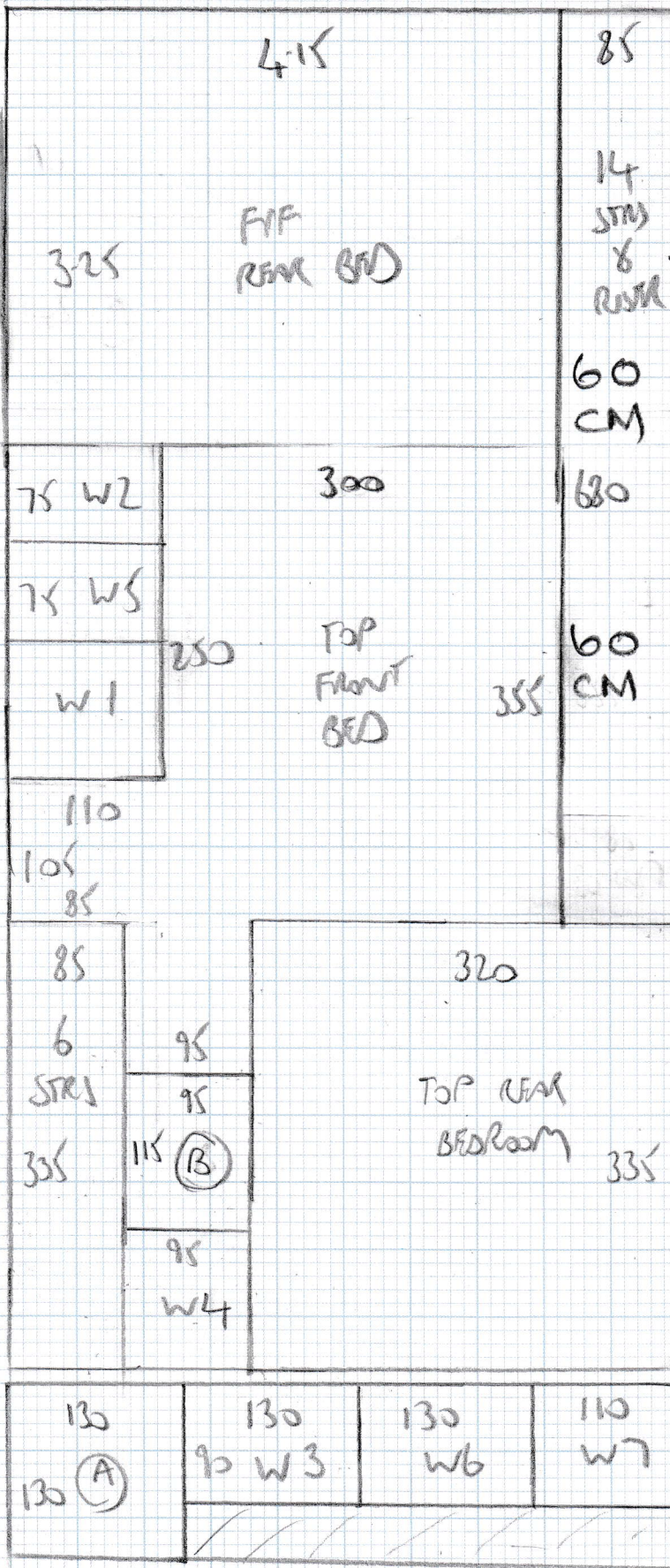


# COMPLETE JOB



Job No: F 24041  
 Name: STONE  
 Address: 26 RANNOCK RD  
 W6 9SR  
 Tel:  
 Sheet: 1 of 3



CUT DOWN TO 60CM

KATSU  
 KT 819110

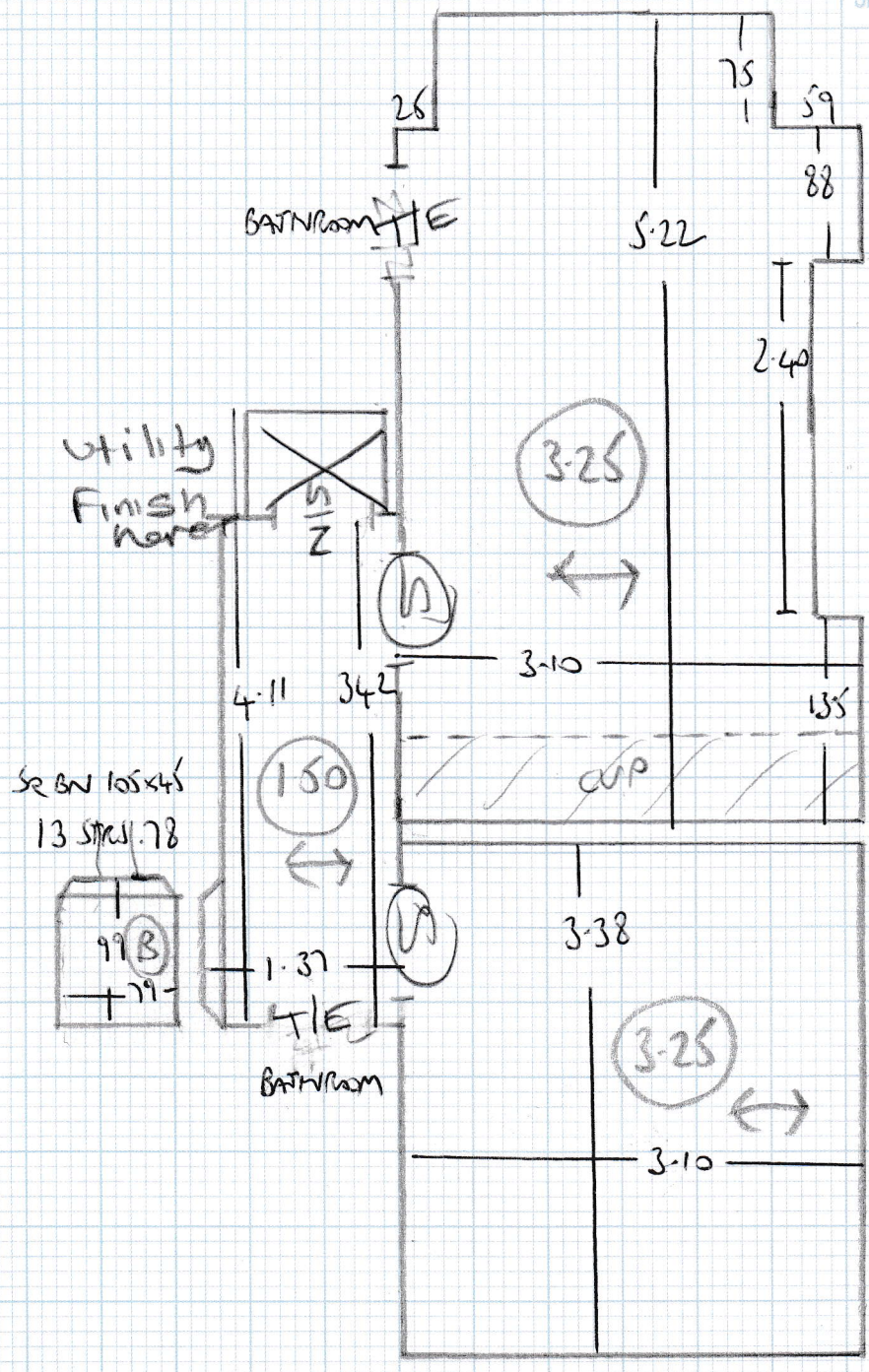
PLAN 10.15  
 PLAN 1.30  
 3.25 FIF FRONT  
 1.50 FIF WND

$$16.20m \times 5.00 = 81m^2$$

\* Seam (4)  
 Doorways\*

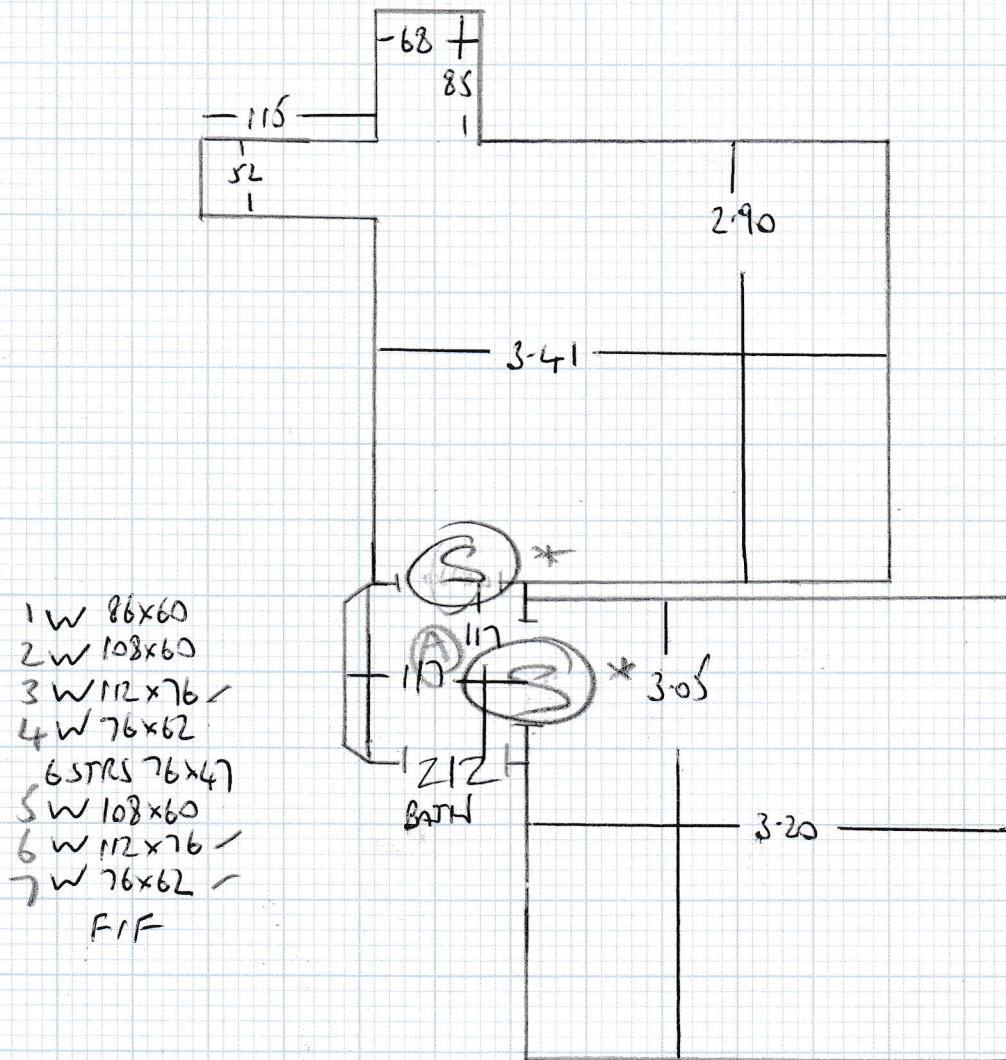
Job No: F24041  
 Name: STONE  
 Address: 26 PANNON RD  
 W6 9SR  
 Tel:  
 Sheet: 2 of 3

FIRST FLOOR



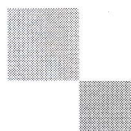
Job No: F24041  
 Name: STONE  
 Address: 26 RANNOCH ROAD  
 W6 9SR  
 Tel:  
 Sheet: 3 OF 3

Top Floor



\* Seam  
 Door Connections \*

X SIDES ONLY X  
STAIR RUNNER



mrcarpet  
DESIGNS FOR FLOORS

301 Munster Road  
Fulham  
SW6 6BJ  
T 020-7381-1989  
F 020-7385-4006

## WHIPPING / BINDING FORM

To be collected by B H Carpets – Tel 020-8665-9110 Fax 020-8665-6611

Customer Name: JANET STONE

Job No. : F24041

Description of carpet : KATSU KT 819110

~~Whipping~~ / ~~Side Binding~~ / Top Taping (1/2 & 1/2)  
TO CONFIRM

Colour of Binding tape: \_\_\_\_\_ Colour of Whipping : \_\_\_\_\_

Size of Binding tape: 5" Number of pieces : 1

Sizes To be cut to: 6-80 x 0-60 cm

Whipping: \_\_\_\_\_ metres @ £2.00 per metre = £ \_\_\_\_\_

Blind Binding: \_\_\_\_\_ metres @ £7.00 per metre = £ \_\_\_\_\_

Taping Only 14 Units @ £6.00 per metre = £ 84.00  
3" or 5" Tape

**Any Queries call**

Colin John Paul

**Deliver Back to: Unit 19, Riverside Road, SW17**

**Mr Carpet Use. (Copy to be faxed to accounts when returned)**

Date Collected: \_\_\_\_\_ Collected  
By: \_\_\_\_\_

Date Returned: \_\_\_\_\_ Returned  
By: \_\_\_\_\_